



TAI-SAW TECHNOLOGY CO., LTD.

No. 3, Industrial 2nd Rd., Ping-Chen Industrial District,
Taoyuan, 324, Taiwan, R.O.C.

TEL: 886-3-4690038 FAX: 886-3-4697532

E-mail: tstsales@mail.taisaw.com Web: www.taisaw.com

Approval Sheet For Product Specification

Issued Date:

Product Name: SAW Filter 446MHz SMD 3.8x3.8mm

TST Parts No.:TA0381A

Customer Parts No.:_____

Company: _____
Division: _____
Approved by : _____
Date: _____

Checked by: _____ Elvis Chiu

Approval by: _____ Francis Chen

Date: _____ 2004/07/14



TAI-SAW TECHNOLOGY CO., LTD.

No. 3, Industrial 2nd Rd., Ping-Chen Industrial District,
Taoyuan, 324, Taiwan, R.O.C.

TEL: 886-3-4690038 FAX: 886-3-4697532

E-mail: tstsales@mail.taisaw.com Web: www.taisaw.com

SAW Filter 446 MHz

MODEL NO.: TA0381A

REV.NO.:1

A. MAXIMUM RATING:

1. Input Power Level: 10 dB_m
2. DC voltage: 3 V
3. Operating Temperature: -10°C to +50°C
4. Storage Temperature: -40°C to +85°C

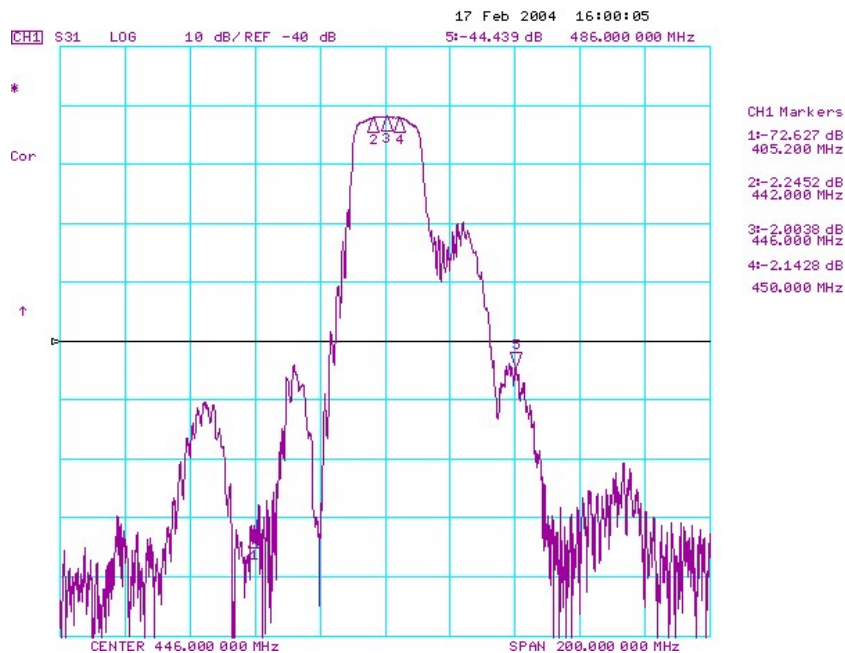
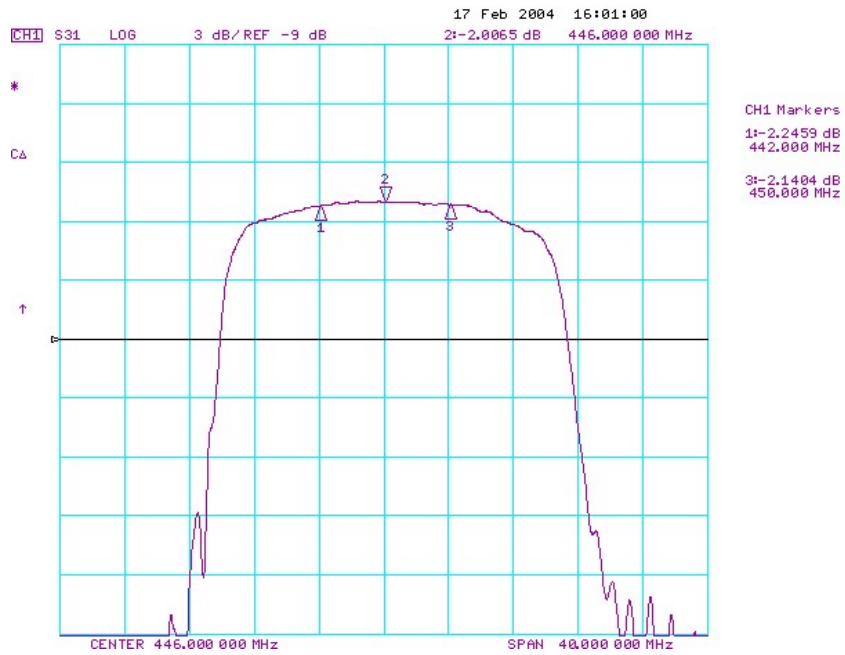
RoHS Compliant
 Lead free
 Lead-free soldering

B. ELECTRICAL CHARACTERISTICS:

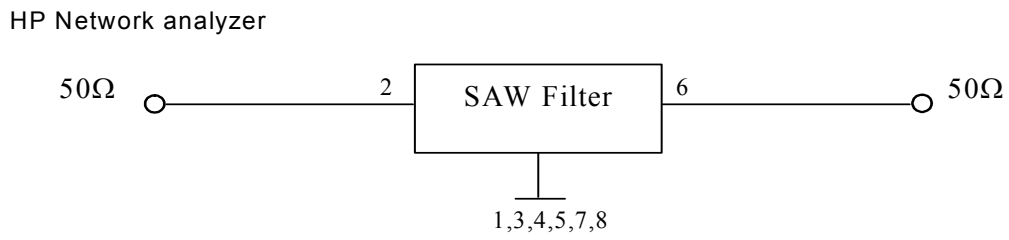
Item	Min.	Typ.	Max.
Center frequency Fc MHz	-	446	-
Insertion loss (Fc +/- 4MHz) IL (dB)	-	2.3	4.5
Amplitude ripple (Fc +/- 4MHz) (dB)	-	0.3	2.5
Attenuation (Reference level from 0 dB)			
Fc-100 ~ Fc-40.8 MHz (dB)	43	50	-
Fc+40 ~ Fc+100 MHz (dB)	38	44	-
Source impedance Z _s (Ω)	-	50	-
Load impedance Z _L (Ω)	-	50	-

Note1. No matching network required for operation at 50 Ω

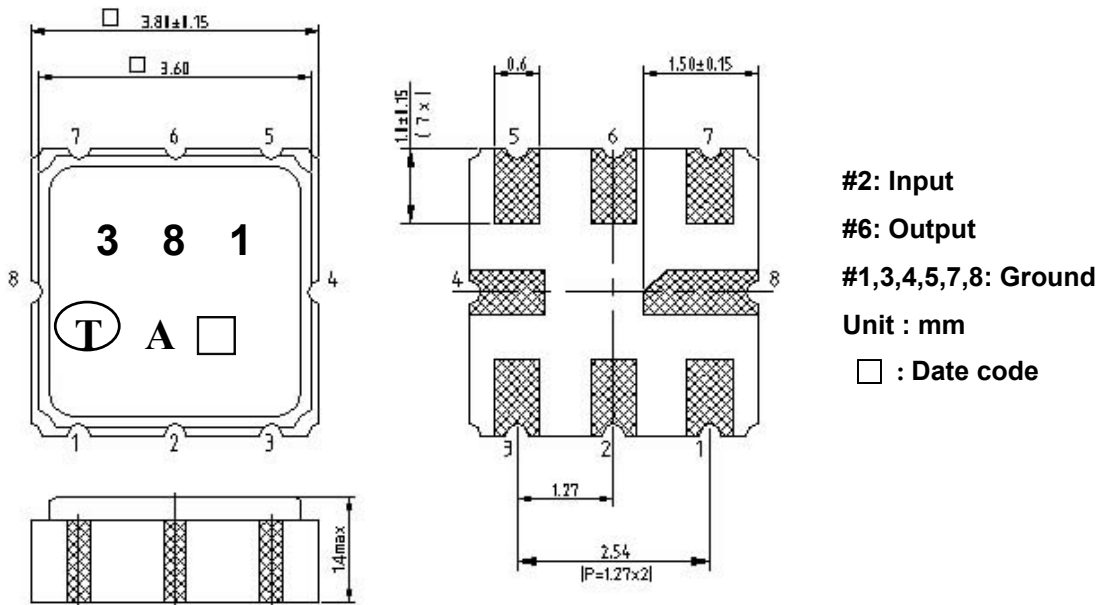
C. Frequency Characteristics :



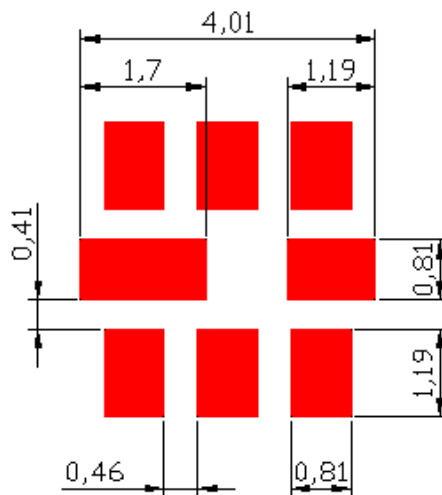
D. MEASUREMENT CIRCUIT:



E. OUTLINE DRAWING:

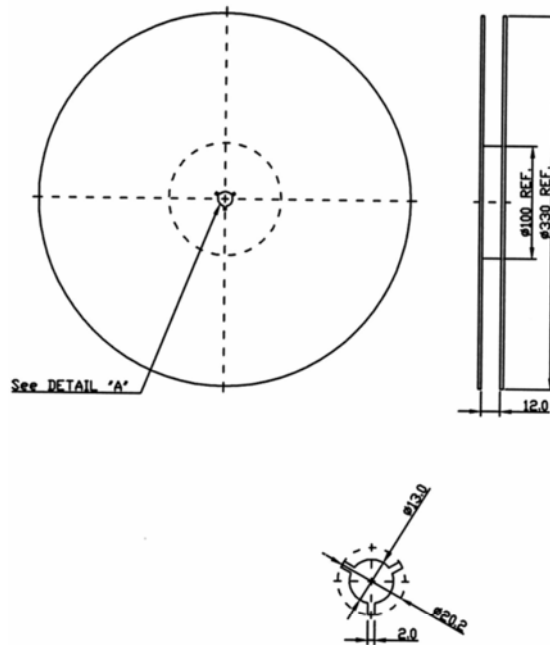


F. PCB FOOTPRINT:



G. PACKING:

1. REEL DIMENSION



2. TAPE DIMENSION

