

**PLEASE CHECK WWW.MOLEX.COM FOR LATEST PART INFORMATION**

**Part Number:** [0850033275](#)  
**Status:** **Active**  
**Overview:** [din\\_41612](#)  
**Description:** 2.54mm (.100") Pitch DIN 41612 C/2 Style Male Header, Right Angle, Through Hole, 0.80µm (32µ") Selective Gold (Au) Plating, 48 Circuits, with Mounting Clips, No Flux Proof, Lead free

**Documents:**

[Drawing \(PDF\)](#) [RoHS Certificate of Compliance \(PDF\)](#)  
[Product Specification PS-85003-0001 \(PDF\)](#)

**Agency Certification**

CSA LR19980  
 UL E29179

**General**

Product Family Backplane Connectors  
 Series [85003](#)  
 Application Backplane  
 Comments With Mounting Clips. No Flux Proof. 4.2mm(.165") Last-Mate-First- Break Contacts. 5.4mm(.213") First-Mate-Last-Break Contacts. 4.8mm (.189") Normal Contacts  
 Component Type PCB Header  
 Overview [din\\_41612](#)  
 Product Name IEC 603-2/DIN 41612  
 Style C/2

**Physical**

Circuits (Loaded) 48  
 Circuits (maximum) 48  
 Circuits Detail Standard Contacts at: A:a2-a15; B:b1-b15; C:c2-c15. First-Mate-Last- Break Contacts at: X:c1,c16; Z:a1,a16  
 Color - Resin Gray  
 Durability (mating cycles max) 500  
 First Mate / Last Break Yes  
 Flammability 94V-0  
 Guide to Mating Part No  
 Keying to Mating Part Yes  
 Material - Metal Brass  
 Material - Plating Mating Gold  
 Material - Plating Termination Tin  
 Material - Resin Polyester  
 Number of Columns 16  
 Number of Pairs Open Pin Field  
 Number of Rows 3  
 Orientation Right Angle  
 PC Tail Length (in) 0.118 In  
 PC Tail Length (mm) 3.00 mm  
 PCB Locator No  
 PCB Retention Yes  
 PCB Thickness Recommended (in) 0.062 In  
 PCB Thickness Recommended (mm) 1.60 mm  
 Packaging Type Carton  
 Pitch - Mating Interface (in) 0.100 In  
 Pitch - Mating Interface (mm) 2.54 mm  
 Pitch - Term. Interface (in) 0.100 In

**EU RoHS**  
**ELV and RoHS**  
**Compliant**  
**REACH SVHC**  
 Not Reviewed  
**Halogen-Free**  
**Status**  
**Not Reviewed**

**China RoHS**



**Need more information on product environmental compliance?**

Email [productcompliance@molex.com](mailto:productcompliance@molex.com)  
 For a multiple part number RoHS Certificate of Compliance, [click here](#)

Please visit the [Contact Us](#) section for any non-product compliance questions.

**Search Parts in this Series**  
[85003Series](#)

Pitch - Term. Interface (mm)	2.54 mm
Plating min: Mating ( $\mu$ in)	32
Plating min: Mating ( $\mu$ m)	0.80
Plating min: Termination ( $\mu$ in)	98
Plating min: Termination ( $\mu$ m)	2.5
Polarized to PCB	Yes
Stackable	No
Surface Mount Compatible (SMC)	No
Temperature Range - Operating	-55°C to +125°C
Termination Interface: Style	Through Hole

### **Electrical**

Current - Maximum per Contact	1A
Data Rate	622.0 Mbps
Voltage - Maximum	250V AC (RMS)

### **Solder Process Data**

Duration at Max. Process Temperature (seconds)	10
Process Temperature max. C	260

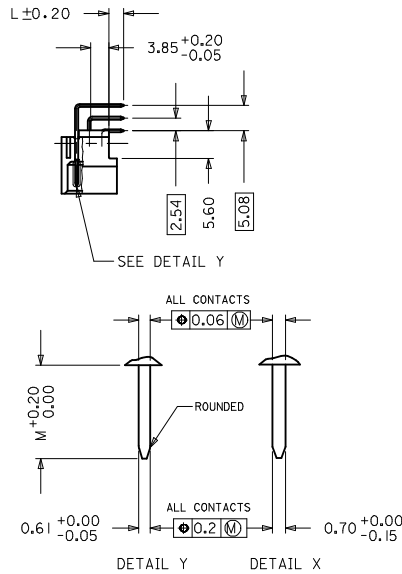
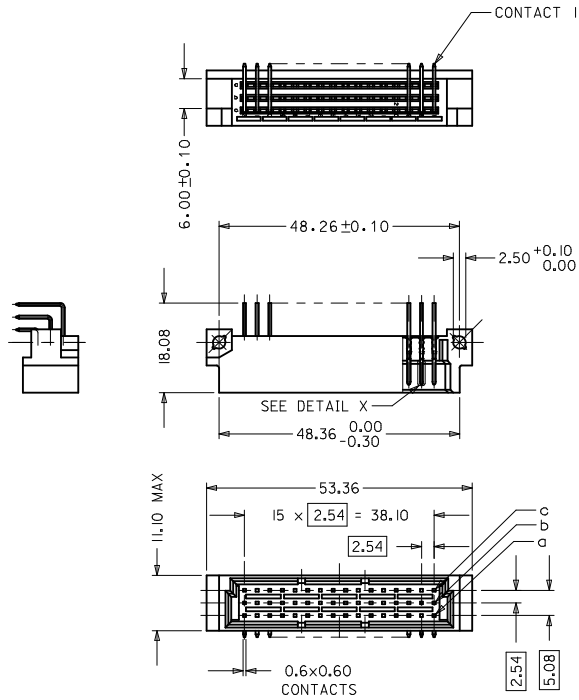
### **Material Info**

### **Reference - Drawing Numbers**

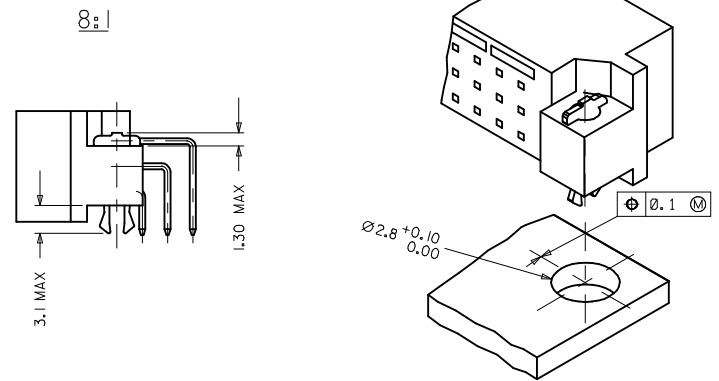
Product Specification	PS-85003-0001
Sales Drawing	SD-85003-0002, SD-85003-3275

This document was generated on 05/17/2010

**PLEASE CHECK [WWW.MOLEX.COM](http://WWW.MOLEX.COM) FOR LATEST PART INFORMATION**

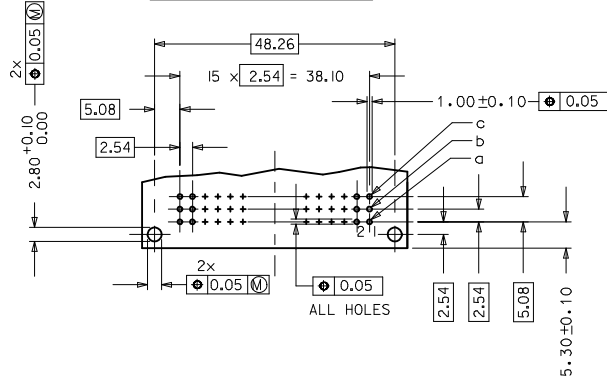


WITH MOUNTING CLIPS



- NOTES:
- MATERIALS: THERMOPLASTIC POLYESTER, GLASS FILLED, UL94V-0, COLOUR: PEBBLE GREY RAL 7032  
TERMINAL - BRASS  
MOUNTING CLIP: STEEL
  - FINISH: CONTACT AREA
    - PERFORMANCE LEVEL 1: SELECTIVE GOLD (Au), THICKNESS = 1.1 MICROMETER  
OVER NICKEL, THICKNESS = 1.25 MICROMETER
    - PERFORMANCE LEVEL 2: SELECTIVE GOLD (Au), THICKNESS = 0.6 MICROMETER  
OVER NICKEL, THICKNESS = 1.25 MICROMETER
    - PERFORMANCE LEVEL 3: SELECTIVE GOLD (Au), THICKNESS = 0.3 MICROMETER  
OVER NICKEL, THICKNESS = 1.25 MICROMETER
 TERMINATION AREA : SELECTIVE TIN, THICKNESS = 2.5 MICROMETER  
OVER NICKEL, THICKNESS = 1.25 MICROMETER OVERALL
  - MOUNTING CLIP:-  
TIN (Sn), THICKNESS = 5-10 MICROMETER,  
OVER NICKEL (Ni), THICKNESS = 2.5 MICROMETER
  - FOR NON MOUNTING CLIP OPTION, CONNECTOR TO BE SECURED WITH  
RIVETS: 2 TUBULAR RIVETS 2.5 x 0.3 ... DIN 7340  
SCREWS: 2 CHEESEHEAD SCREWS M2.5 x ... DIN 84 AND 2 HEXAGONAL NUTS M2.5 DIN 934
  - STANDARD MARKING : MOLEX, MATERIAL NUMBER, BATCH CODE
  - CUT FACE OF TIP WITHOUT PLATING PERMITTED
  - PRODUCT SPECIFICATION PS : 85003-0001

RECOMMENDED PCB LAYOUT  
COMPONENT SIDE



LMFB CONTACTS	4.2
FMLB CONTACTS	5.4
NORMAL CONTACTS	4.8
	M

RoHS COMPLIANT

EC NO: I2007-0172 DRAWN BY: JAYENGG CHKD BY: SUDHIR APPR: KRASAO 2009/01/17	QUALITY SYMBOLS	GENERAL TOLERANCES (UNLESS SPECIFIED) mm INCH 4 PLACES ± 0.05 3 PLACES ± 0.05 2 PLACES ± 0.1 1 PLACE ± 0.15 ANGULAR ± 2°	DIMENSION STYLE	SCALE	DESIGN UNITS	THIRD ANGLE PROJECTION
			MM ONLY	2:1	METRIC	
			DRAWN BY: SS	DATE: 1999/09/14	TITLE: 88 POS. MALE CONNECTOR ACC. DIN 41612 STYLE C/2 CONTACTS	
			CHECKED BY: GJLOWE	DATE: 1999/09/14	MOLEX INCORPORATED	
		APPROVED BY: GJLOWE	DATE: 1999/09/14	DOCUMENT NO. SD-85003-0002		
		MATERIAL NO.	SIZE: A1	THIS DRAWING CONTAINS INFORMATION THAT IS PROPRIETARY TO MOLEX INCORPORATED AND SHOULD NOT BE USED WITHOUT WRITTEN PERMISSION		
		DRAFT WHERE APPLICABLE MUST REMAIN WITHIN DIMENSIONS	SEE CHART		SHEET NO. 1 OF 1	

20 19 18 17 16 15 14 13 12 11 9 8 7 6 5 4 3 2 1

VIEW ON MATING SIDE

○	X	C	C	C	C	C	C	C	C	C	C	C	C	C	X
△	B	B	B	B	B	B	B	B	B	B	B	B	B	B	B
○	Z	A	A	A	A	A	A	A	A	A	A	A	A	A	Z

16 15 14 13 12 11 10 9 8 7 6 5 4 3 2 -

A = 14 STANDARD CONTACTS L = 3  
 B = 16 STANDARD CONTACTS L = 3  
 C = 14 STANDARD CONTACTS L = 3  
 Z = 2 FMLB CONTACTS +0.6 L = 3  
 X = 2 FMLB CONTACTS +0.6 L = 3  
 S = 48 TOTAL NUMBER OF CONTACTS

MARKING	STANDARD
PERFORMANCE LEVEL	G1/O = CONTACT AREA LEVEL I / TERMINATION TIN
FLUX PROOF	NO
FIXING CLIP	YES
DIMENSIONS	SD-85003-0002 SHT 1

X	G2/O	c1,16
Z	G2/O	a1,16
C	G2/O	c2-15
B	G2/O	b1-16
A	G2/O	a2-15
CONTACT SYMBOL	PERFORMANCE LEVEL	CONTACT POSITION NUMBER

EC NO. I 2004-XXXX DRAWN S.S. 30/07/02 CHK'd G.L. 30/07/02 APPR G.L. 30/07/02	QUALITY SYMBOLS	GENERAL TOLERANCES: (UNLESS SPECIFIED)	SCALE	DESIGN UNITS	DIMENSIONS:		SHT	REV	
	MAJOR			<input checked="" type="checkbox"/> MM <input type="checkbox"/> INCH	<input type="checkbox"/> MM <input type="checkbox"/> INCH	<input checked="" type="checkbox"/> MM ONLY			
	CRITICAL								
B	DESCRIPTION	4 PLACES ±0.1 ±0.1	DRAWN BY & DATE	THIRD ANGLE PROJECTION		TITLE: 48 POS MALE CONNECTOR ACCORDING DIN 41612 STYLE C/2 CONTACTS ARRANGEMENT		REVISE ON CAD ONLY	
		3 PLACES ±0.1 ±0.1	S.S. 14/09/1999			MOLEX INCORPORATED			
		2 PLACES ±0.1 ±0.1	CHECKED BY & DATE						
		1 PLACE ±0.1 ±0.1	G.L. 14/09/1999						
		ANGULAR ±	APPROVED BY & DATE						
			G.L. 14/09/1999						
			CAD FILENAME	MATERIAL NO.	DRAWING NO.	SHEET NO.		SIZE	
			SD-85003-3275.S0	85003-3275	SD-85003-3275	1 OF 1		D	
			THIS DRAWING CONTAINS INFORMATION THAT IS PROPRIETARY TO MOLEX INCORPORATED AND SHOULD NOT BE USED WITHOUT WRITTEN PERMISSION.						

24-border.DGN REV 4 96/06/12 LEVEL 6 19 18 17 16 15 14 13 12 11 10 9 8 7 6 5 4 3 2 1