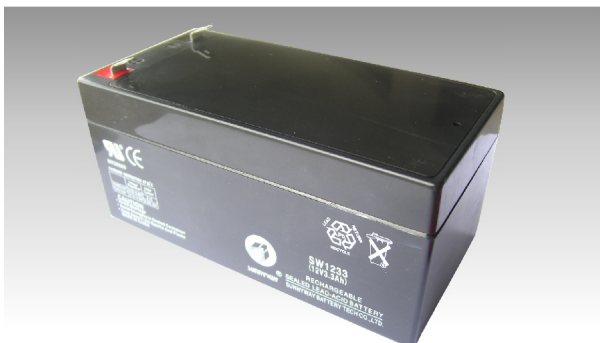
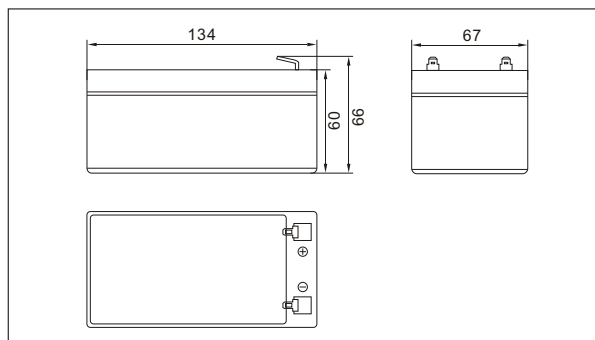




## SW1233(12V 3.3 AH)



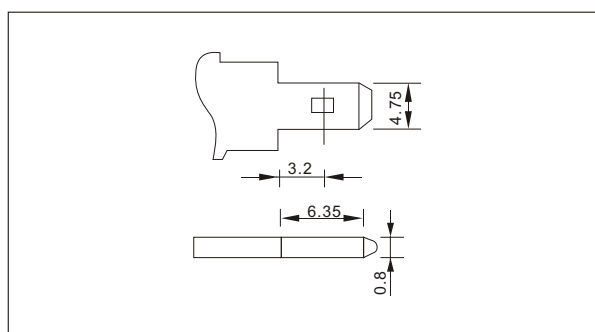
### Outer dimensions (mm)



### Specifications

|                               |              |                      |
|-------------------------------|--------------|----------------------|
| Nominal Voltage               |              | 12V                  |
| Rated capacity (20 hour rate) |              | 3.3 Ah               |
| Dimensions                    | Total Height | 66 mm (2.60 inches)  |
|                               | Height       | 60 mm (2.36 inches)  |
|                               | Length       | 134 mm (5.28 inches) |
|                               | Width        | 67 mm (2.64 inches)  |
| Weight Approx                 |              | 1.24 Kg (2.73 lbs)   |

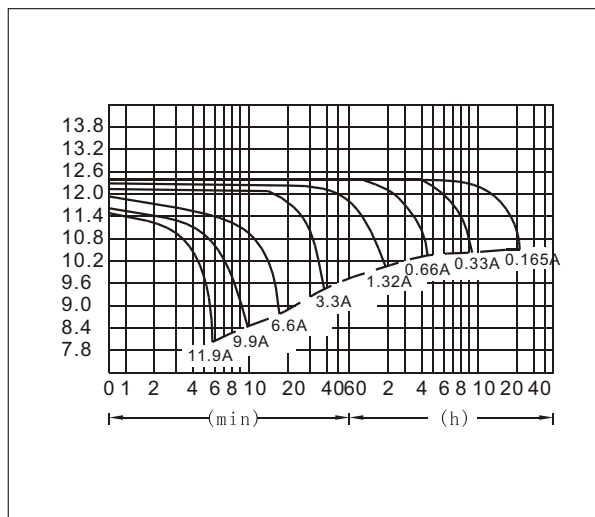
### Terminal Type (mm)



### Characteristics

|   |                                    |   |
|---|------------------------------------|---|
| Capacity<br>25°C(77°F)                                  | 20 hour rate(0.17 A)               | 3.30 AH   |
|   | 10 hour rate(0.30 A)               | 3.04AH  |
|   | 5 hour rate(0.56A)                 | 2.81AH  |
|   | 1 hour rate(1.98A)                 | 1.98AH  |
|   | 1.5 hour discharge to 10.5V        | 1.32 A  |
| Internal Resistance                                     | Full charged Battery at 25°C(77°F) | 37 mΩ   |
| Capacity<br>affected<br>by Temperature<br>(20hour rate) | 40°C(104°F)                        | 102%  |
|   | 25°C(77°F)                         | 100%  |
|   | 0°C(32°F)                          | 85%   |
|   | -15°C(5°F)                         | 65%   |
|   | Self-Discharge<br>at 25°C(77°F)    | Capacity after 3 month storage                                    |
|   | Capacity after 6 month storage     | 82%   |
|   | Capacity after 12 month storage    | 64%   |
| Terminal  | T1                                 |   |
| Charge<br>(constant<br>Voltage)                         | Cycle                              | Initial Charging Current less than 1.32 A<br>Voltage 14.40-14.70V |
|   | Float                              | Voltage 13.50-13.80V  |

### Discharge Curves 25°C(77°F)



**Constant Current(Amp) and Constant Power(Watt) Discharge Table at 25°C(77°F)**

| Time   |   | 5min | 10min | 15min | 30min | 1h    | 2h    | 3h   | 4h   | 5h   | 8h   | 10h  | 20h  |
|--------|---|------|-------|-------|-------|-------|-------|------|------|------|------|------|------|
| 9.60V  | A | 11.9 | 7.79  | 5.78  | 3.80  | 1.98  | 1.16  | 0.85 | 0.68 | 0.58 | 0.38 | 0.31 | 0.17 |
|        | W | 123  | 84    | 62    | 41    | 21.45 | 12.68 | 9.46 | 7.67 | 6.59 | 4.39 | 3.60 | 1.98 |
| 10.20V | A | 10.9 | 7.45  | 5.31  | 3.60  | 1.86  | 1.11  | 0.83 | 0.66 | 0.57 | 0.38 | 0.31 | 0.17 |
|        | W | 117  | 83    | 59    | 40    | 21.04 | 12.77 | 9.56 | 7.67 | 6.61 | 4.39 | 3.60 | 1.95 |
| 10.50V | A | 9.9  | 6.96  | 4.95  | 3.49  | 1.80  | 1.09  | 0.81 | 0.63 | 0.57 | 0.37 | 0.30 | 0.17 |
|        | W | 109  | 79    | 57    | 40    | 20.76 | 12.60 | 9.45 | 7.34 | 6.57 | 4.37 | 3.59 | 1.95 |
| 10.80V | A | 9.5  | 6.66  | 4.62  | 3.40  | 1.74  | 1.06  | 0.80 | 0.62 | 0.54 | 0.36 | 0.30 | 0.16 |
|        | W | 107  | 77    | 53    | 39    | 20.21 | 12.40 | 9.41 | 7.27 | 6.34 | 4.29 | 3.52 | 1.91 |
| 11.10V | A | 8.8  | 6.27  | 4.29  | 3.30  | 1.68  | 1.03  | 0.76 | 0.60 | 0.51 | 0.35 | 0.29 | 0.16 |
|        | W | 100  | 73    | 50    | 39    | 19.66 | 12.20 | 8.98 | 7.21 | 6.12 | 4.22 | 3.49 | 1.90 |