

**PLEASE CHECK WWW.MOLEX.COM FOR LATEST PART INFORMATION**

**Part Number:** [0855635004](#)  
**Status:** **Active**  
**Overview:** [magnetic modular jacks](#)  
**Description:** Modular Jack, Top Entry, Through Hole Intelligent Shunted, LCP 8/8

**Documents:**

[3D Model](#) [Product Specification PS-85563-002 \(PDF\)](#)  
[Drawing \(PDF\)](#) [RoHS Certificate of Compliance \(PDF\)](#)

**General**

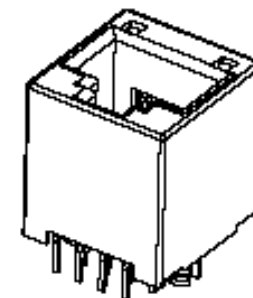
Product Family	Modular Jacks/Plugs
Series	85563
Comments	Top Entry
Component Type	PCB Jack
Magnetic	Yes
Overview	<a href="#">magnetic modular jacks</a>
Performance Category	3
Power over Ethernet (PoE)	Non-PoE
Product Name	N/A

**Physical**

Boot Color	N/A
Color - Resin	Black
Durability (mating cycles max)	500
Inverted / Top Latch	No
Keying to Mating Part	N/A
Lightpipes/LEDs	None
Material - Metal	Brass
Material - Plating Mating	Gold
Material - Plating Termination	Tin
Material - Resin	High Temperature Thermoplastic
Orientation	Vertical (Top Entry)
PCB Locator	No
PCB Retention	Yes
PCB Thickness Recommended (in)	0.062 In
PCB Thickness Recommended (mm)	1.57 mm
Packaging Type	Tray
Panel Mount	N/A
Pitch - Mating Interface (in)	0.040 In
Pitch - Mating Interface (mm)	1.02 mm
Pitch - Term. Interface (in)	0.050 In
Pitch - Term. Interface (mm)	1.27 mm
Plating min: Mating (µin)	50.8
Plating min: Mating (µm)	1.27
Plating min: Termination (µin)	76
Plating min: Termination (µm)	1.9
Ports	1
Positions / Loaded Contacts	8/8
Surface Mount Compatible (SMC)	No
Temperature Range - Operating	-40°C to +80°C
Termination Interface: Style	Through Hole
Waterproof / Dustproof	No
Wire/Cable Type	N/A

**Electrical**

Current - Maximum per Contact	1.5A
-------------------------------	------



*image - Reference only*

*Series*

**EU RoHS**

**ELV and RoHS  
Compliant**

**REACH SVHC**

**Contains SVHC: No**

**Halogen-Free**

**Status**

**Not Reviewed**

**China RoHS**



**Need more information on product  
environmental compliance?**

Email [productcompliance@molex.com](mailto:productcompliance@molex.com)  
 For a multiple part number RoHS Certificate of  
 Compliance, [click here](#)

Please visit the [Contact Us](#) section for any  
 non-product compliance questions.

**Search Parts in this Series**

85563Series

**Mates With**

FCC 68 Plugs [90075](#)

Grounding to PCB	No
Grounding to Panel	N/A
Shielded	No
Voltage - Maximum	125V AC (RMS)

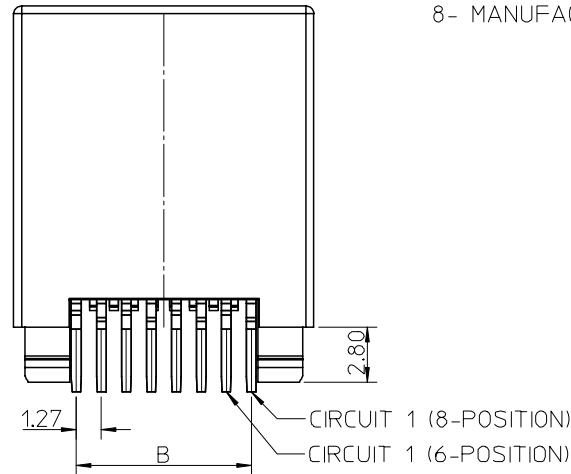
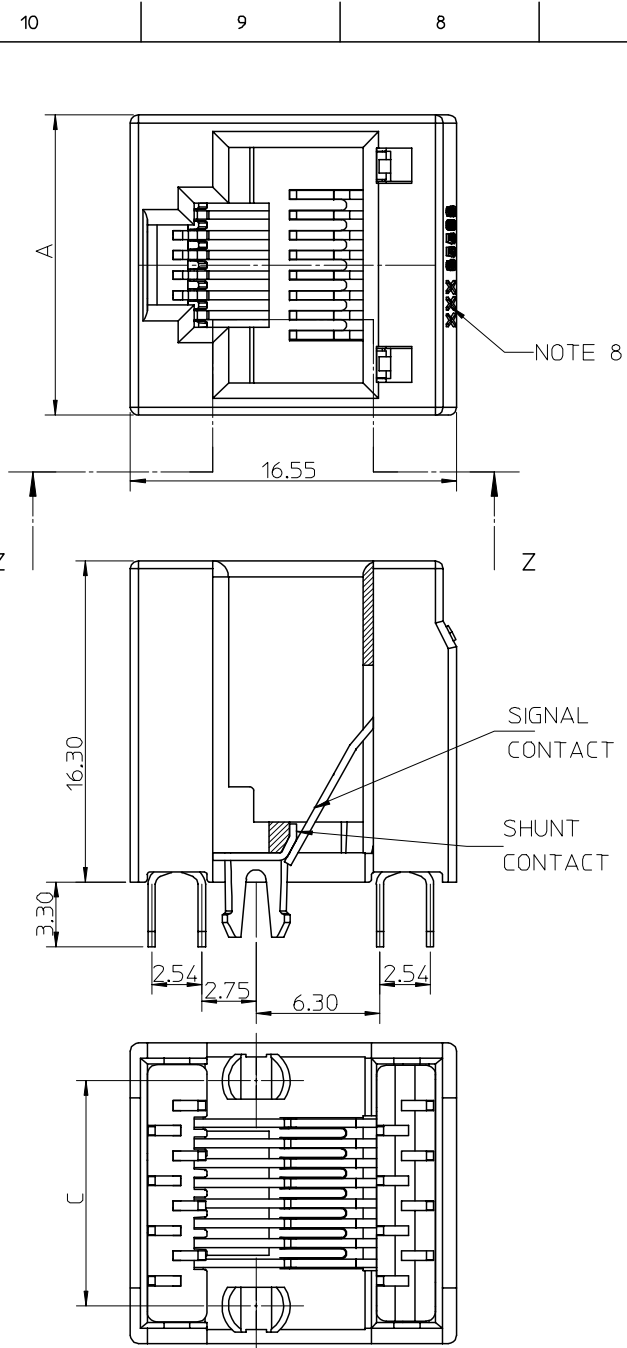
### **Material Info**

### **Reference - Drawing Numbers**

Packaging Specification	PK-95022
Product Specification	PS-85563-002
Sales Drawing	SD-85563-101

This document was generated on 05/26/2010

**PLEASE CHECK [WWW.MOLEX.COM](http://WWW.MOLEX.COM) FOR LATEST PART INFORMATION**



NOTES:

1- MATERIAL:

- HOUSING: LCP GLASS FILLED UL 94 V-0  
COLOUR BLACK
- TERMINAL: TIN BRASS:  
POST PLATE 0.00127-0.00152 GOLD IN CONTACT AREA  
0.0019 MIN PURE TIN IN TAIL AREA BOTH OVER  
0.00127 MIN NICKEL OVERALL.

- 2- PC BOARD THICKNESS: 1.57 (SEE LAYOUT SHEET 2)
- 3- JACK FOR MATING WITH F.C.C 68 PLUGS (90075 MOLEX SERIES)
- 4- PRODUCT SPECIFICATION: PS-85563-002
- 5- APPLICATION SPECIFICATION: AS-85513-001
- 6- PACKAGING SPECIFICATION: PF-95022. (TRAY PACKAGING)
- 7- FOR ILLUSTRATION PURPOSES A 8-CIRCUIT IS SHOWN.
- 8- MANUFACTURING I.D CAN BE MXF, MG OR MXI.

TYPE.	6 CKTS.	8 CKTS.
DIM		
A	13.21	15.24
B	6.35	8.89
C	10.16	11.43
PART No.	85563-5003	85563-5004

ORIGINAL LCP  
EC NO: E2008-0216  
DRWN:DBYRNES 2007/11/14  
CHKD: 2007/11/14  
APPR:EOMAHONY 2007/11/14

QUALITY SYMBOLS  
▽=0  
▽=0

GENERAL TOLERANCES (UNLESS SPECIFIED)

	mm	INCH
4 PLACES	± ---	± ---
3 PLACES	± ---	± ---
2 PLACES	± 0.25	± ---
1 PLACE	± 0.35	± ---
ANGULAR ± 2 °		

DRAFT WHERE APPLICABLE  
MUST REMAIN WITHIN DIMENSIONS

DIMENSION STYLE  
MM ONLY

DRAWN BY	DATE
DBYRNES	2007/10/23
CHECKED BY	DATE
EOMAHONY	2007/10/24
APPROVED BY	DATE
EOMAHONY	2007/10/24

MATERIAL NO.  
SIZE A3

SCALE 4:1  
DESIGN UNITS METRIC  
THIRD ANGLE PROJECTION

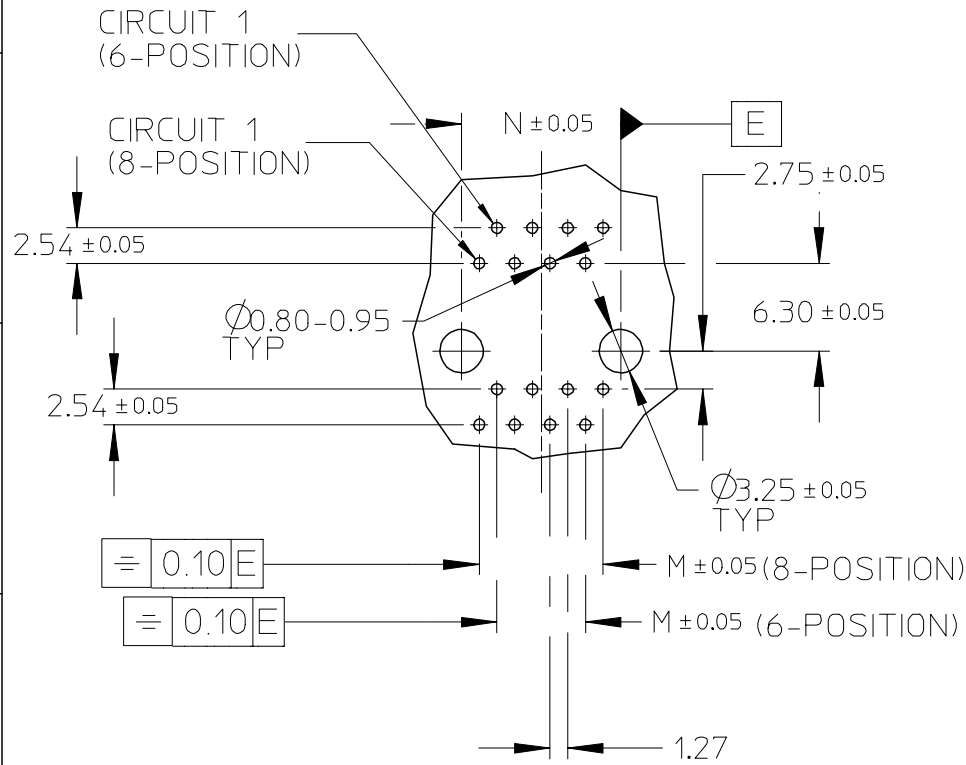
TITLE  
TOP ENTRY THROUGH HOLE INTELLIGENT SHUNTED JACK LCP VERSION 6/6 AND 8/8

MOLEX MOLEX INCORPORATED

DOCUMENT NO. SD-85563-101  
SHEET NO. 1 OF 2

THIS DRAWING CONTAINS INFORMATION THAT IS PROPRIETARY TO MOLEX INCORPORATED AND SHOULD NOT BE USED WITHOUT WRITTEN PERMISSION

MOUNTING HOLE PATTERNS  
(SEE FROM COMPONENT SIDE)



TYPE	6 CKTS.	8 CKTS.
DIM.		
M	6.35	8.89
N	10.16	11.43
Part-No.	85563-5003	85563-5004

ORIGINAL LCP EC NO: E2008-0216 DRWN:DBYRNES 2007/11/14 CHKD: 2007/11/14 APPR:EOMAHONY 2007/11/14	QUALITY SYMBOLS	GENERAL TOLERANCES (UNLESS SPECIFIED)		DIMENSION STYLE MM ONLY		SCALE 2:1	DESIGN UNITS METRIC	THIRD ANGLE PROJECTION
	▼=0 □=0	mm      INCH	DRAWN BY DBYRNES	DATE 2007/10/23	TITLE TOP ENTRY THROUGH HOLE INTELLIGENT SHUNTED JACK LCP VERSION 6/6 AND 8/8			
		4 PLACES ± --- ± --- 3 PLACES ± --- ± --- 2 PLACES ± 0.25 ± --- 1 PLACE ± 0.35 ± ---	CHECKED BY EOMAHONY	DATE 2007/10/24	MOLEX INCORPORATED			
		ANGULAR ± 2 °	APPROVED BY EOMAHONY	DATE 2007/10/24	MATERIAL NO. SEE CHART	DOCUMENT NO. SD-85563-101	SHEET NO. 2 OF 2	
		DRAFT WHERE APPLICABLE MUST REMAIN WITHIN DIMENSIONS	SIZE A 4		THIS DRAWING CONTAINS INFORMATION THAT IS PROPRIETARY TO MOLEX INCORPORATED AND SHOULD NOT BE USED WITHOUT WRITTEN PERMISSION			