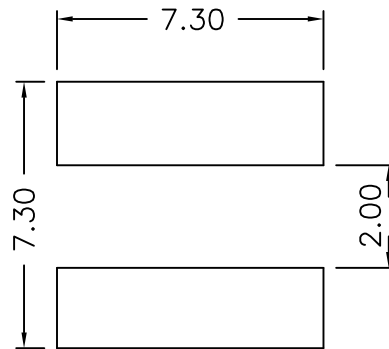
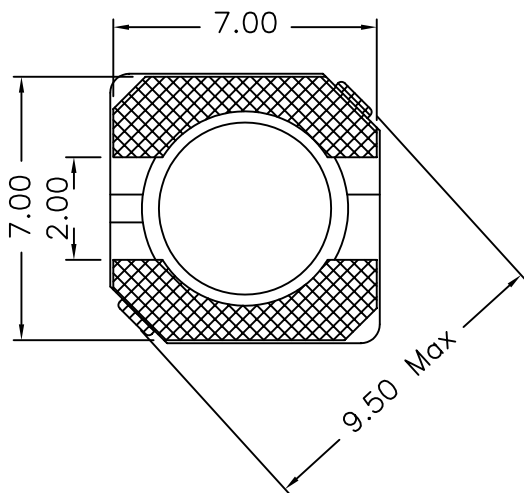
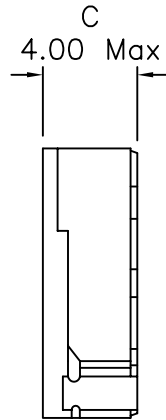
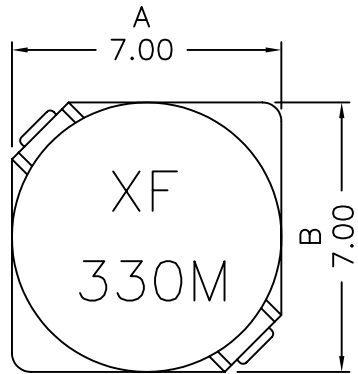
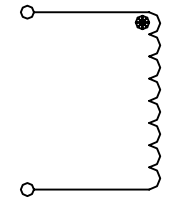


1. Mechanical Dimensions:



Suggested Pad Layout

2. Schematic:



3. Electrical Specifications:

OCL: 33.0uH \pm 20% @10KHz, 0.1V

Q: 8 Min @10KHz, 0.1V

DCR: 0.124 Ohms Max

IDC: 1.10A Max (Based on 35% Typ drop in OCL)

Notes:

1. Solderability: Leads shall meet MIL-STD-202G, Method 208H for solderability.
2. Flammability: UL94V-0
3. ASTM oxygen index: > 28%
4. Insulation System: Class F 155°C. UL file E151556
5. Operating Temperature Range: All listed parameters are to be within tolerance from -40°C to +85°C
6. Storage Temperature Range: -55°C to +125°C
7. Aqueous wash compatible
8. SMD Lead Coplanarity: $\pm 0.004"$ (0.102mm)
9. Electrical and mechanical specifications 100% tested
10. RoHS Compliant Component

XFMRs Inc www.XFMRS.com	Title: SHIELDED INDUCTOR		
	UNLESS OTHERWISE SPECIFIED	P/N: XFTPRH6D38-330M	REV. A
TOLERANCES: .xx \pm 0.25	DWN.	Xianyi	Sep-16-09
Dimensions in MM	CHK.	YK Liao	Sep-16-09
SHT 1 OF 1	APP.	BW	Sep-16-09

DOC. REV A/2