

PLEASE CHECK WWW.MOLEX.COM FOR LATEST PART INFORMATION

Part Number: [0352414011](#)
Status: **Active**
Description: 1.00mm (.039") Diameter Wire-to-Wire Plug Housing, with Seal and Terminal Retainers

Documents:

[3D Model](#) [Product Specification PS-35241-003 \(PDF\)](#)
[Drawing \(PDF\)](#) [RoHS Certificate of Compliance \(PDF\)](#)

General

Product Family Crimp Housings
 Series [35241](#)
 Product Name N/A

Physical

Circuits (maximum) 40
 Color - Resin Black, Natural
 Gender Male
 Glow-Wire Compliant No
 Material - Resin Polyester
 Number of Rows 4
 Packaging Type Bag
 Panel Mount No
 Pitch - Mating Interface (in) 0.142 In
 Pitch - Mating Interface (mm) 3.60 mm
 Stackable No
 Temperature Range - Operating -40°C to +120°C

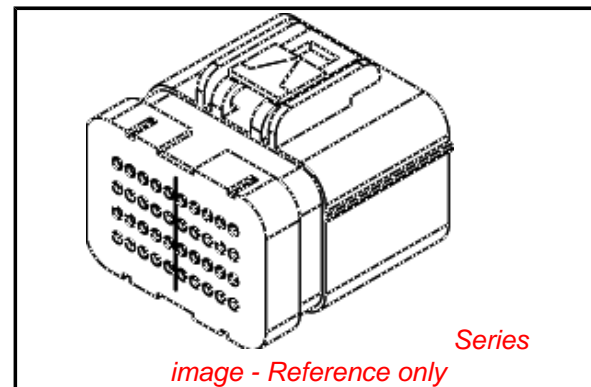
Electrical

Current - Maximum per Contact 5A

Material Info

Reference - Drawing Numbers

Product Specification PS-35241-003
 Sales Drawing SD-35241-4011



EU RoHS

**ELV and RoHS
 Compliant**
REACH SVHC
 Not Reviewed
**Halogen-Free
 Status**

China RoHS



**Need more information on product
 environmental compliance?**

Email productcompliance@molex.com
 For a multiple part number RoHS Certificate of
 Compliance, [click here](#)

Please visit the [Contact Us](#) section for any
 non-product compliance questions.

Search Parts in this Series
[35241Series](#)

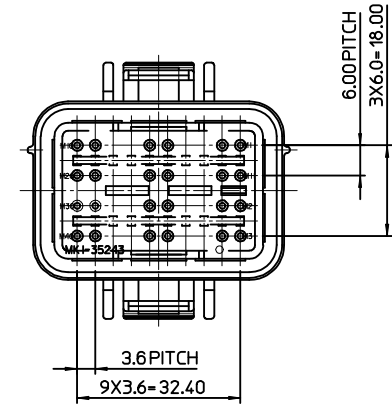
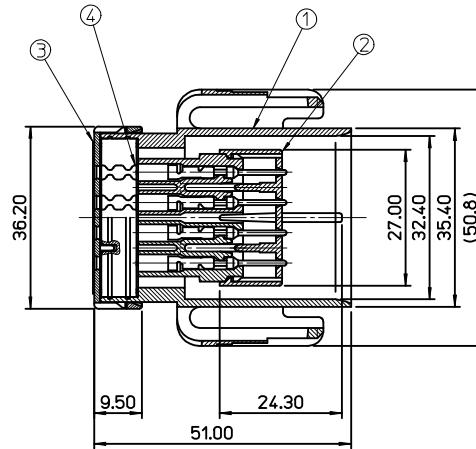
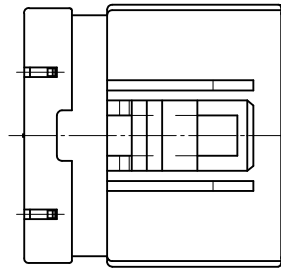
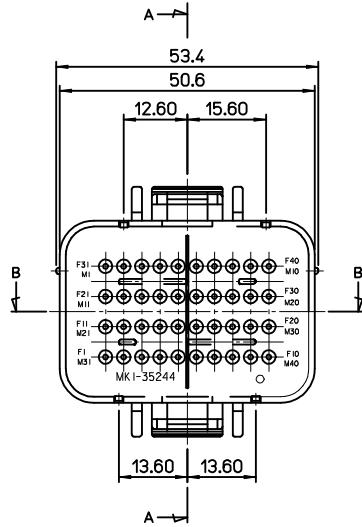
Mates With
[35245](#)

Use With
[35100](#)

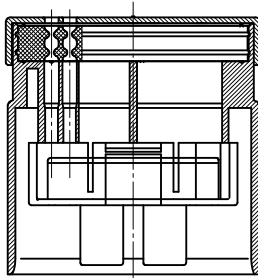
<PART LIST>

NO.	DESCRIPTION	MATERIAL	USAGE
①	CIRCULOCK MALE HSG 40P	PBT G/F	1
②	CIRCULOCK MALE TPA 40P	PBT G/F	1
③	CIRCULOCK WIRE SEAL COVER 40P	PBT G/F	1
④	CIRCULOCK WIRE SEAL 40P	SILICONE	1

- <NOTE>
1. MATERIAL: SEE PART LIST
 2. APPLICABLE TERMINAL: 35100-9002
 3. MATES WITH: 35245-4011



SECTION A-A



SECTION B-B

<TABLE 1>

MATERIAL NO.	ORDER NO.
352414011	35241-4011

CHANGED OF NOTES EC NO: KOR2009-0125 DRW:KOKIM 2009/02/26 CHKD:BCYOON 2009/03/04 APPR:YUNSIKKIM 2009/03/04	QUALITY SYMBOLS	GENERAL TOLERANCES (UNLESS SPECIFIED)	DIMENSION STYLE	SCALE	DESIGN UNITS	TITLE CIRCULOCK MALE ASS'Y 40P MOLEX INCORPORATED DOCUMENT NO. SD-35241-4011 SHEET NO. 1 OF 1
	▼=0 ◻=0	mm INCH 4 PLACES ± --- ± --- 3 PLACES ± --- ± --- 2 PLACES ± 0.30 ± --- 1 PLACE ± 0.3 ± --- ANGULAR ± 1 °	MM ONLY	1:1	METRIC	
	DESCRIPTION	DRAWN BY	DATE	THIRD ANGLE PROJECTION		
	REV	JKOH	1996/05/22			
		CHECKED BY	DATE			
	BKCHOI	1996/05/22				
	APPROVED BY	DATE				
	CWLEE	1996/05/22				
	MATERIAL NO.	SEE TABLE 1				
	SIZE	A3	THIS DRAWING CONTAINS INFORMATION THAT IS PROPRIETARY TO MOLEX INCORPORATED AND SHOULD NOT BE USED WITHOUT WRITTEN PERMISSION			