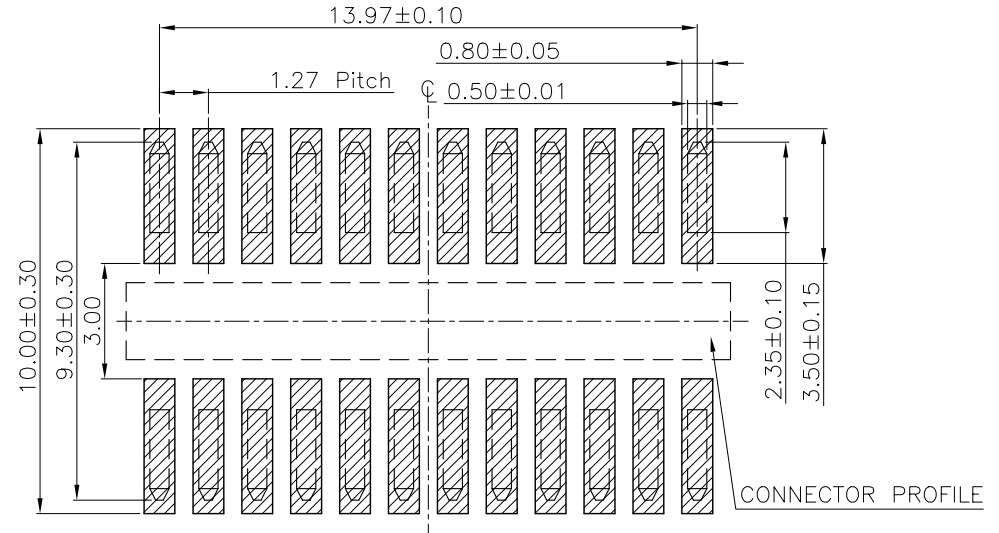
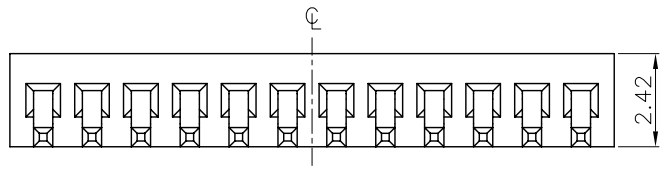
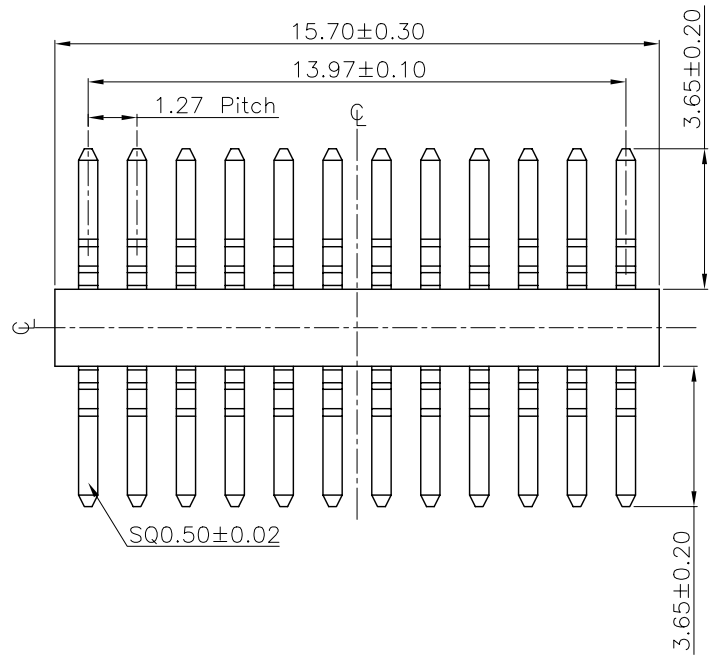
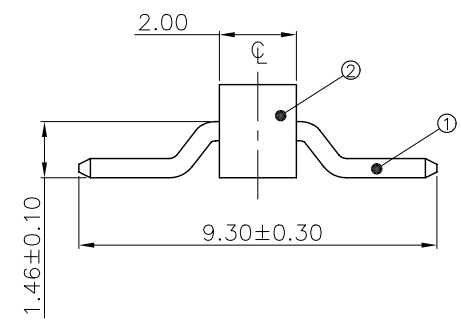


Recommended P.C.B Layout (Component Side)



CONNECTOR PROFILE

NOTE :
 127038MA012G□00ZT
 1
 1. Seletive Plating
 G1-05u" Gold over Nickel
 G2-Indicate Gold over Nickel
 G3-10u" Gold over Nickel
 G4-15u" Gold over Nickel
 G5-30u" Gold over Nickel



2	Terminal	Brass	—	—
1	Plastic	High Temp	Black	UL94V-0
NO.	DESCRIPTION	MATERIAL	COLOR	REMARK

SUYIN
CONNECTOR

CUSTOMER COPY TITLE: 1.27mm PIN HEADER DUAL ROW RIGHT ANGLE TYPE

PART NO. 127038MA012GX00ZT

PART NO. (OLD) —

DRAWING NO. 127038MA012GX00ZT

SCALE 5:1 UNIT mm A4

ECN (DCN) NO.	REV	DATE	DESCRIPTION	CHANGE	APPRO.	GENERAL TOLERANCE UNLESS OTHERWISE NOTED	APPRO.
	0		NEW			Angle ±2° 30 ~ ±0.50 10 ~ 30 ±0.30 ~ 10 ±0.15	DRAW DESIGN CHECK