

Slide Switches

1P2T/2P2T Slide Switches

SB40 Series

General Specifications



MATERIALS

- » Cover: Stainless steel
- » Base & Stem: LCP High-temp thermoplastic in black color
- » Contact: Alloy copper
- » Terminals: Brass



MECHANICAL

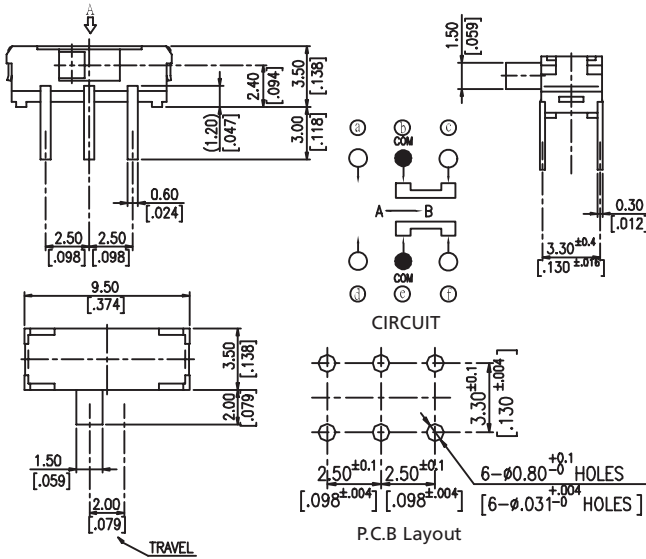
- » Mechanical Life: 10,000 cycles
- » Operating Force: 200±150 gf
- » Operating Temperature: -20°C to +70°C
- » Storage Temperature: -20°C to +70°C

ELECTRICAL

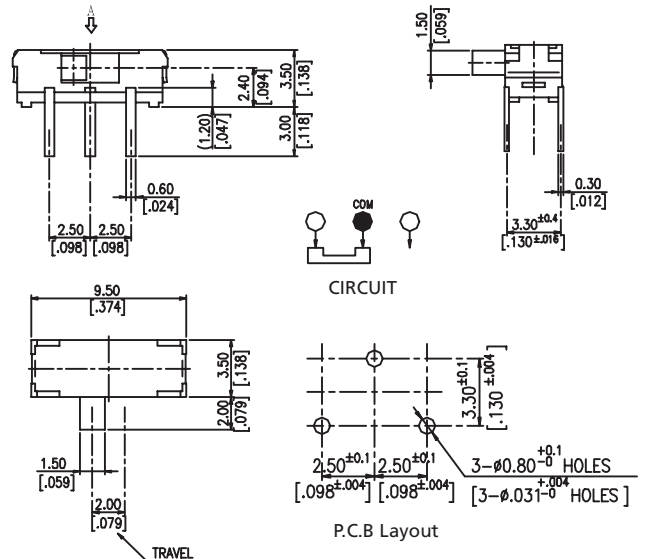
- » Electrical Life: 10,000 cycles
- » Non-Switching Rating: 100mA, 50VDC
- » Switching Rating: 25mA, 24VDC
- » Contact Resistance: 100mΩ max.
- » Insulation Resistance: 100MΩ min. (500VDC)

SOLDERING PROCESSES

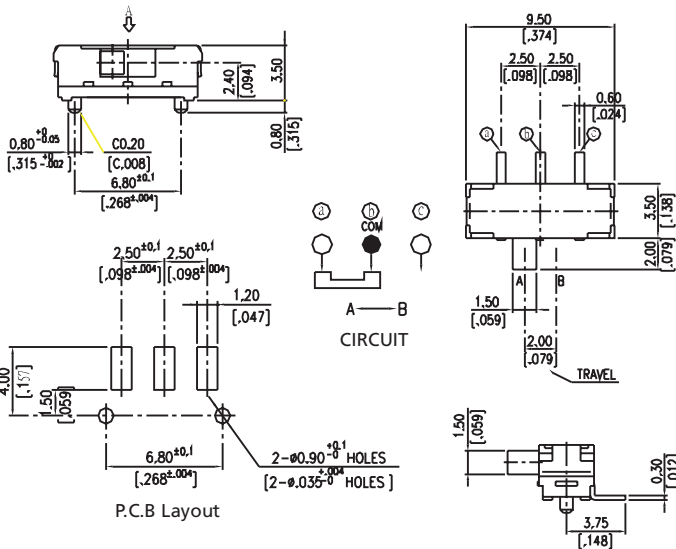
- » Hand Soldering: 30 watts, 350°C, 5 sec.
- » Reflow Soldering (SMT Terminals): 260°C



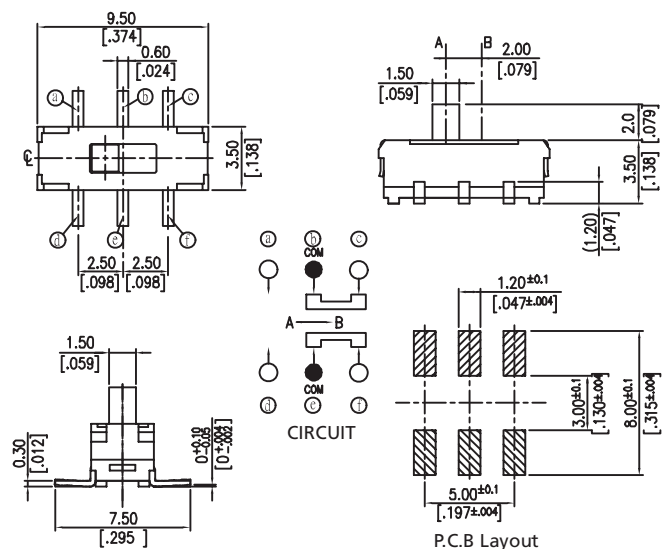
SB40H2... Horizontal THT, 2P2T



SB40H1... Horizontal THT, 1P2T



SB40S1_1... Horizontal SMT, 1P2T, with Pilot



SB40S2_1... Vertical SMT, 2P2T, with Pilot

How to order:

SB40

- | | | | | |
|--|--|--|-------------------------------|---------------------------------------|
| 1 SLIDE FUNCTION: | 3 TERMINALS LENGTH
(Only for THT Terminals): | 4 STEM LENGTH
(Only for Horizontal Slide Type) | 6 STEM DIRECTION: | 8 PACKAGING: |
| H Horizontal THT Slide | N 3.0 mm (Standard) | 40 4.0mm | L Stem on the Left | BK Bulk |
| SH Horizontal SMT Slide
(only for 1P2T) | S 0.9 mm | 32 3.2mm | R Stem on the Right | TB Tube (only for SB40H) |
| SM Vertical SMT Slide | K 1.0 mm | | | TR Tape & Reel |
| 2 PINS: | M 1.5 mm | 5 PILOT: | 7 ROHS & LEAD FREE | 9 CUSTOMER SPECIALS: |
| 1 1P2T | G 1.8 mm | C Without Pilot | V RoHs & Lead Free Solderable | According special customer requests: |
| 2 2P2T | L 2.2 mm | P Base with Pilot | H Halogen Free | UU Gold plated Terminals and Contacts |
| | V 2.5 mm | | | |

General Tolerance :± 0.2mm