

PLEASE CHECK WWW.MOLEX.COM FOR LATEST PART INFORMATION

Part Number: **5005930300**
Status: **Active**
Description: 2.50mm (.098") Pitch Wire-to-Wire Plug Housing, Single Row, 3 Circuits

Documents:

[3D Model](#) [Product Specification PS-500592-001 \(PDF\)](#)
[Drawing \(PDF\)](#) [RoHS Certificate of Compliance \(PDF\)](#)

General

Product Family Crimp Housings
 Series [500593](#)
 Product Name N/A

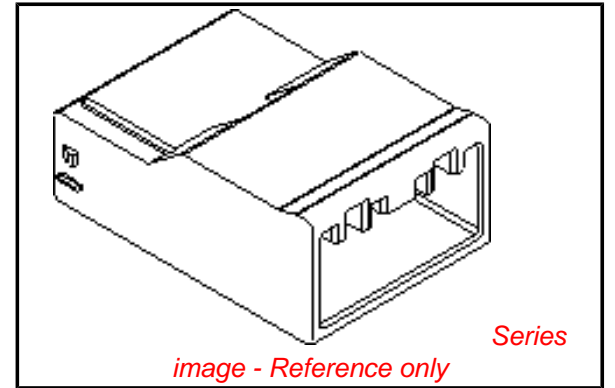
Physical

Circuits (maximum) 3
 Color - Resin Natural
 Gender Male
 Glow-Wire Compliant No
 Material - Resin Polyester
 Number of Rows 1
 Packaging Type Bag
 Panel Mount No
 Pitch - Mating Interface (in) 0.098 In
 Pitch - Mating Interface (mm) 2.50 mm
 Stackable No
 Temperature Range - Operating -40°C to +85°C

Material Info

Reference - Drawing Numbers

Product Specification PS-500592-001, RPS-500592-001, RPS-500592-002, RPS-500592-003
 Sales Drawing SD-500593-001



EU RoHS

ELV and RoHS Compliant
REACH SVHC Contains SVHC: No
Halogen-Free Status
Not Reviewed

China RoHS



Need more information on product environmental compliance?

Email productcompliance@molex.com
 For a multiple part number RoHS Certificate of Compliance, [click here](#)

Please visit the [Contact Us](#) section for any non-product compliance questions.

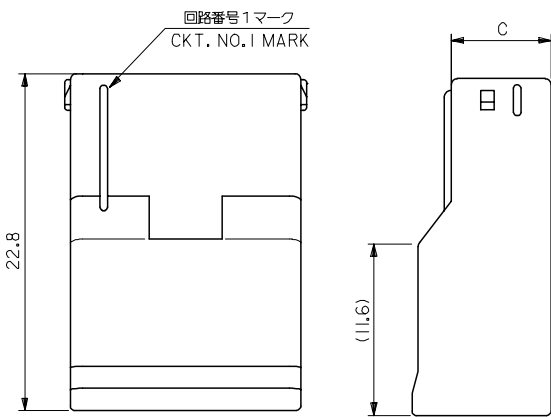
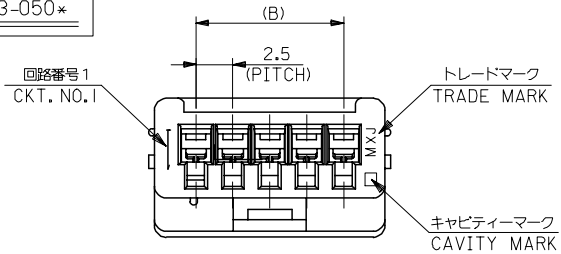
Search Parts in this Series
[500593Series](#)

Mates With
[500592](#)

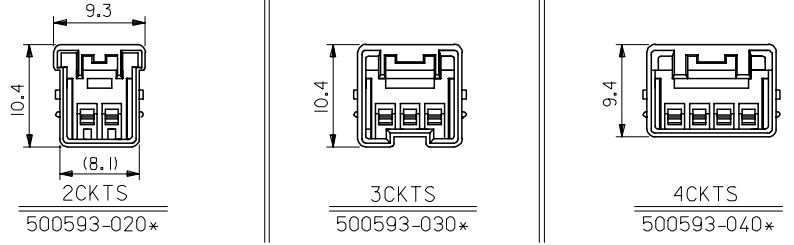
Use With
[50398](#) , [500817](#)

10 9 8 7 6 5 4 3 2 1

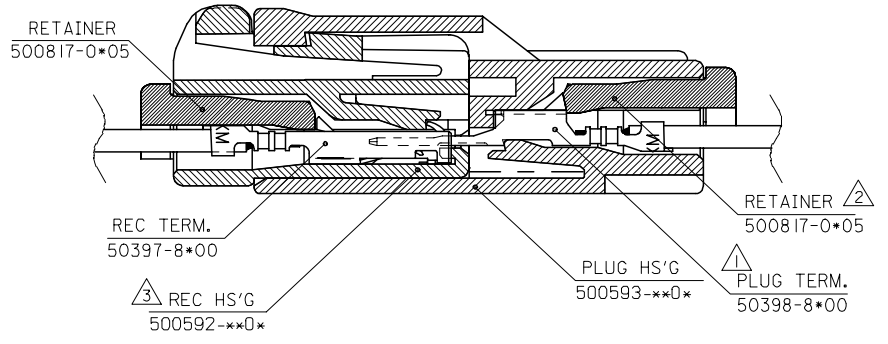
SHAPE OF
500593-050*



4種以下の極数レイアウト図
LAYOUT OF 2/3/4CKTS.



ターミナル装着状態図
TERMINAL ASSEMBLY DRAWING



注記
NOTES

- △ 適合ターミナル：50398シリーズ
APPLICABLE TERMINAL : 50398 SERIES
- △ 適合リテーナー：500817シリーズ
APPLICABLE RETAINER : 500817 SERIES
- △ 嵌合相手：500592シリーズ
MATE WITH : 500592 SERIES
- 4. 材質：PBT (UL94V-0)
MATERIAL :PBT(UL94V-0)

5. MATERIAL NO. は以下の内容を示す。
MATERIAL NO. :

500593-**0*

| | |
|-----------|----------------|
| 極数 CKT | 色 COLOR |
| 0 | 自然色 NATURAL |
| 1 | 黒 BLACK |
| 2 | 赤 RED |
| 3 | 黄色 YELLOW |
| 4 | 青 BLUE |
| 6 | 緑 GREEN |

| | | | | | | | | | | |
|---|---|--|-------|----------------------------|--------------------|---|------------------------|-----------------------|--|--|
| REVISED EC NO: J2006-1361 DRW: MUMEDA CHKD: TOYODA APPR: NUKITA | DESCRIPTION 2005/10/27 2005/10/27 2005/11/01 | GENERAL TOLERANCES (UNLESS SPECIFIED) | | DIMENSION STYLE MM ONLY | | SCALE 3:1 | DESIGN UNITS METRIC | 500593-**0* MODEL NO. | | |
| | | 10 UNDER | ±0.2 | DRAWN BY J. MUMEDA | DATE 2005/04/07 | TITLE 2.5MM WIRE TO WIRE CONN. PLUG HOUSING | THIRD ANGLE PROJECTION | | | |
| | | 10 OVER 30 UNDER | ±0.25 | CHECKED BY K. TOYODA | DATE 2005/04/07 | MOLEX INCORPORATED | | | | |
| | | 30 OVER | ±0.3 | APPROVED BY N. UKITA | DATE 2005/04/07 | | | | | |
| ANGULAR ±3 ° | | DRAFT WHERE APPLICABLE MUST REMAIN WITHIN DIMENSIONS | | MATERIAL NO. SEE CHART | | DOCUMENT NO. SD-500593-001 | | SHEET NO. 1 OF 2 | | |

10 9 8 7 6 5 4 3 2 1

| | | | | | | | | | | | | |
|-------------|----------------------|--------|------|------|---------|-------------|-------------|-------------|-------------|-------------|-------------|-------------|
| 500592-080* | 500817-0805 | 6.75 | 17.5 | 23.1 | 8 | 500593-0806 | 500593-0804 | 500593-0803 | 500593-0802 | 500593-0801 | 500593-0800 | 500593-xx0* |
| ↙ -070* | ↙ -0705 | ↙ 15 | 20.6 | 7 | ↙ -0706 | ↙ -0704 | ↙ -0703 | ↙ -0702 | ↙ -0701 | ↙ -0700 | | |
| ↙ -060* | ↙ -0605 | ↙ 12.5 | 18.1 | 6 | ↙ -0606 | ↙ -0604 | ↙ -0603 | ↙ -0602 | ↙ -0601 | ↙ -0600 | | |
| ↙ -050* | ↙ -0505 | ↙ 10 | 15.6 | 5 | ↙ -0506 | ↙ -0504 | ↙ -0503 | ↙ -0502 | ↙ -0501 | ↙ -0500 | | |
| ↙ -040* | ↙ -0405 | 6.75 | 7.5 | 13.1 | 4 | ↙ -0406 | ↙ -0404 | ↙ -0403 | ↙ -0402 | ↙ -0400 | | |
| ↙ -030* | ↙ -0305 | 7.75 | 5 | 10.6 | 3 | ↙ -0306 | ↙ -0304 | ↙ -0303 | ↙ -0302 | ↙ -0300 | | |
| 500592-020* | 500817-0205 | 7.75 | 2.5 | 8.1 | 2 | 500593-0206 | 500593-0204 | 500593-0203 | 500593-0202 | 500593-0201 | 500593-0200 | MODEL NO. |
| MATE WITH | CONFORTABLE-RETAINER | C | B | A | CKT. | GREEN | BLUE | YELLOW | RED | BLACK | NATURAL | |

| | | | | | | | |
|---|--------------------|--|----------------------------|--------------------|---|-------------------------------|---------------------|
| REVISED EC NO: J2006-1361 DRWN: NABEI 2005/10/27 CHKD: K. TOYODA 2005/10/27 APPR: NUKITA 2005/11/01 | DESCRIPTION REV | GENERAL TOLERANCES (UNLESS SPECIFIED) | DIMENSION STYLE MM ONLY | SCALE 3:1 | DESIGN UNITS METRIC | THIRD ANGLE PROJECTION | |
| | | 10 UNDER ± 0.2 | DRAWN BY U. MUMEDA | DATE 2005/04/07 | TITLE 2.5MM WIRE TO WIRE CONN. PLUG HOUSING | | |
| | | 10 OVER 30 UNDER ± 0.25 | CHECKED BY K. TOYODA | DATE 2005/04/07 | MOLEX INCORPORATED | | |
| | | 30 OVER ± 0.3 | APPROVED BY N. UKITA | DATE 2005/04/07 | MATERIAL NO. SEE CHART | DOCUMENT NO. SD-500593-001 | SHEET NO. 2 OF 2 |
| DRAFT WHERE APPLICABLE MUST REMAIN WITHIN DIMENSIONS | | THIS DRAWING CONTAINS INFORMATION THAT IS PROPRIETARY TO MOLEX INCORPORATED AND SHOULD NOT BE USED WITHOUT WRITTEN PERMISSION | | | | | |