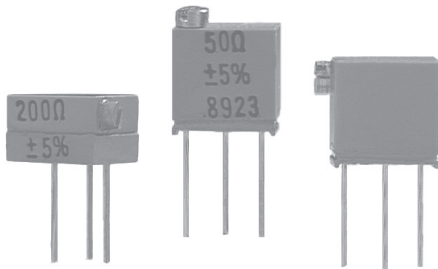


## Bulk Metal<sup>®</sup> Foil Technology

### Precision Trimming Potentiometers

### 1/4 Inch Rectilinear, RJ26 Style - Industrial Trimmer



Product may not  
be to scale

**FEATURES**

- Temperature Coefficient of Resistance (TCR):  
± 20ppm/°C Max<sup>2</sup>. (– 55°C to + 150°C Ref. @ + 25°C);  
Through the wiper<sup>3</sup>; ±50 ppm/°C
- Load Life Stability: 1.0% Maximum ΔR under Full Rated  
Power for 2,000 hours @ + 85°C
- Settability: 0.1%
- Setting Stability: 0.1% Typical<sup>1</sup>; 0.5% Maximum<sup>1</sup>, ΔSS
- Power Rating<sup>4</sup>: 0.25 watts @ + 85°C
- Resistance Range: 20Ω to 5KΩ
- Resistance Tolerance: ± 10%

TABLE 1 - MODEL SELECTION*						
MODEL	TERMINATION STYLE	AVERAGE WEIGHT (g)	STANDARD RESISTANCE VALUES (in Ω)	STANDARD TOLERANCES	POWER RATING @ +85°C AMBIENT	NO. OF TURNS
1248	W-Edge Mount, Top Adjust	0.4	20, 50, 100, 200, 500, 1K 2K, 5K	±10%	0.25 W	21 ±2
	X-Edge Mount, Side Adjust					
	P-Horizontal Mount, Side Adjust					

\*See Figure 1, next page.

**NOTES:**

1. Maximum is 1.0% A.Q.L. standard for all specifications except TCR. (For TCR information see notes 2 and 3). “Typical” is a designers reference which represents that 85% of the lots supplied, over a long period of time, will be at least the figure stated or better.
2. Maximum TCR applies to the 3 σ (sigma) limit or 99.73% of a production lot. (Measured end-to-end with wiper off the element.)
3. Measurements of TCR through the wiper are influenced more by setting stability and the percentage of the total resistance in use (at the wiper) than by fundamental resistance change due to temperature alone. The parameter shown is a 2 σ distribution typifying the behavior of the device when used with 40% or more of the total resistance in use.
4. Derated linearly from full power @ + 85°C to zero (0) watts @ + 150°C. See Figure 2, next page.
5. Independent of resistance value 3 ohms maximum available on special request.

Special Available Options:   Special marking  
  Burn-in and screening operations

**ADDITIONAL SPECIFICATIONS:**

- Contact Resistance Variation – CRV (noise): 10 ohms Maximum<sup>5</sup>
- Hop-off: 0.25% Typical; 1.0% Maximum
- Operating Temperature Range: – 55°C to + 150°C
- Adjustment Turns: 21 ± 2
- Mechanical Stops: Wiper Idles – No Discontinuity

**TABLE 2 - ORDERING INFORMATION - 1248 SERIES PARTS**

Please specify Vishay Model 1248 Precision Trimming Potentiometers as follows:

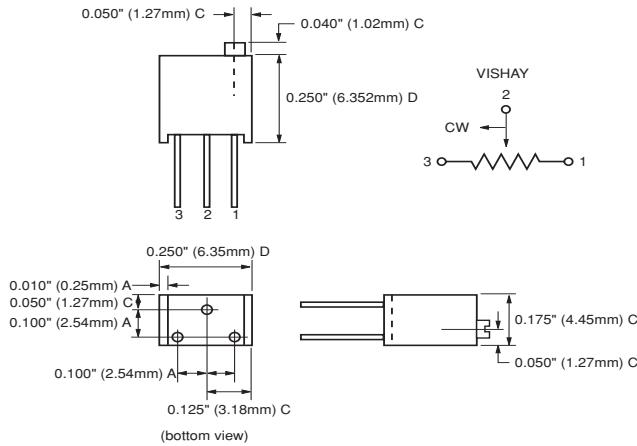
Example:

<b>1248</b>	<b>W</b>	<b>100R</b>	<b>10%</b>
MODEL NO.	TERMINATION STYLE	RESISTANCE VALUE	TOLERANCE

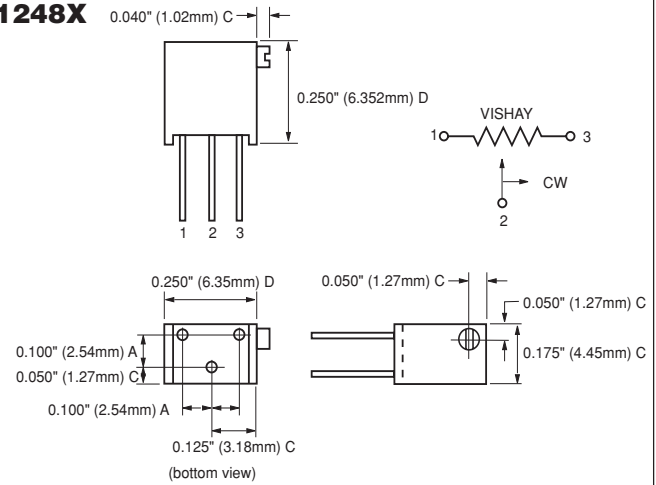
See Table 1 for details. See Figure 1, next page for Standard Marking.

**FIGURE 1 - SCHEMATIC AND DIMENSIONS** in inches (millimeters)

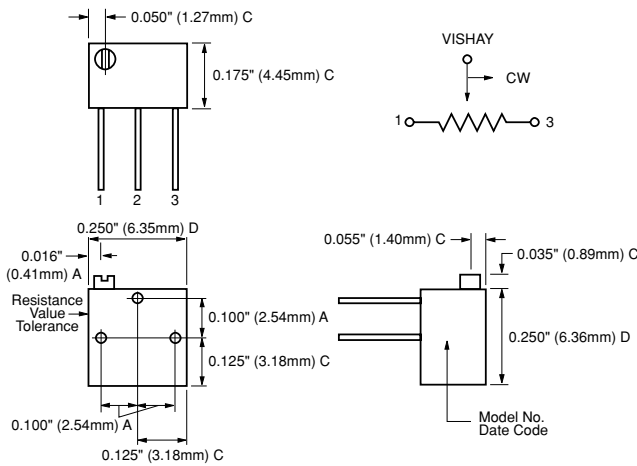
**1248W**



**1248X**



**1248P**



**STANDARD MARKING**

- Model No.
- Date Code
- Resistance Value
- Tolerance

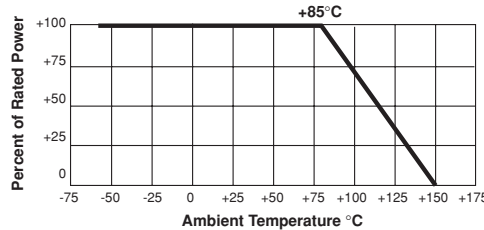
**TOLERANCES**

- A = ± 0.005 Inches (0.13mm)
- C = ± 0.010 Inches (0.25mm)
- D = ± 0.020 inches (0.51mm)
- \*Standard markings on this surface.

**NOTE:**

1. Adjustment screw 0.080 Inches (2.03mm) diameter with 0.025 Inches (0.64mm) x 0.030 Inches (0.76mm) slot. Tolerances on screw dimensions is ± 0.005 Inches (0.13mm). Model 1248 has gold plated terminal pins 0.016 Inches (0.41mm) ± 0.001 Inches (0.03mm) diameter, 0.200 Inches (5.08mm) length minimum.

**FIGURE 2 - POWER DERATING CURVE**



VISHAY FOIL • FRANCE +33.4.93.37.28.24 FAX: +33.4.93.37.27.31  
 • GERMANY +49.9287.710 FAX: +49.9287.70435  
 • ISRAEL +972.3.557.0945 FAX: +972.3.558.9121

• ITALY +39.2.300.11919 FAX: +39.2.300.11999  
 • JAPAN +81.42.729.0661 FAX: +81.42.729.3400  
 • SINGAPORE +65.788.6668 FAX: +65.788.0988

• SWEDEN +46.8.594.70590 FAX: +46.8.594.70581  
 • UK +44 191 514 8237 FAX: +44 1953 457 722  
 • USA +1 610 407-4800 FAX: +1 610 640-9081