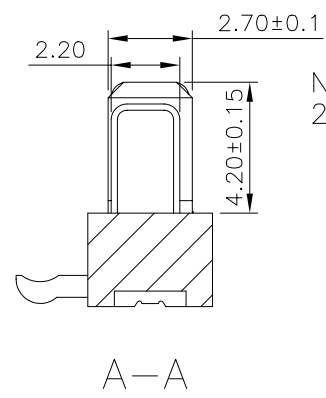
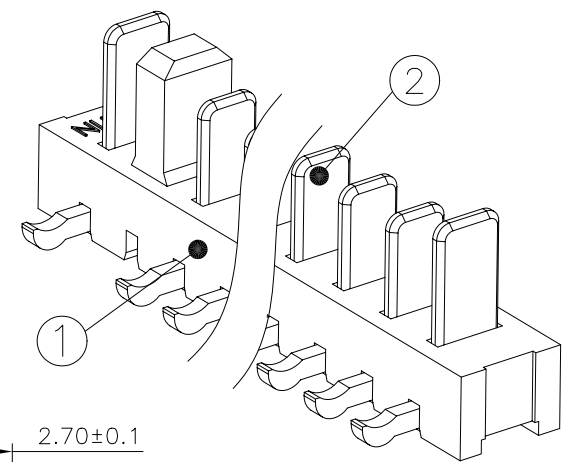
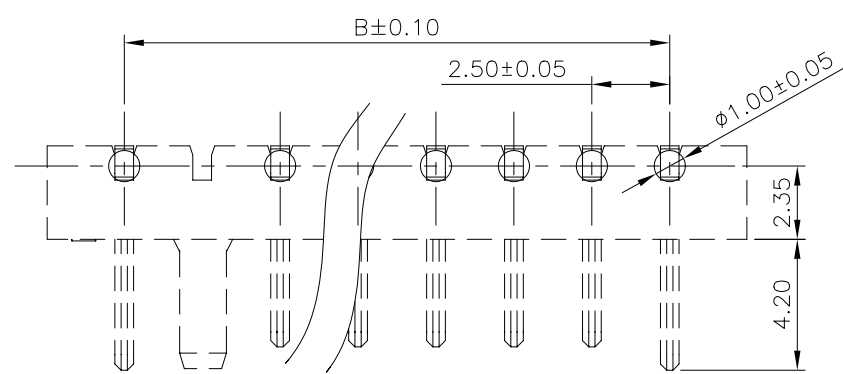


Recommended P.C.B Layout
(Component Side)



NOTE:
250263MR□□□ □□ 02ZX
1 2

- No. of pins.
- Selective plating
G1-05u" Gold over Nickel.
G2-Indicate Gold flash
G3-10u" Gold over Nickel.
G4-15u" Gold over Nickel.
G5-30u" Gold over Nickel.

Dimension Indotmation

suYIn P/NO	DIM.A	DIM.B
250263MR007GX02ZL	22.45	17.50
250263MR008GX02ZU	24.95	20.00

4				
3				
2	Terminal	Brass		GOLD Plated
1	Plastics	High Temp. plastic	BLACK	UL94V-0
NO.	DESCRIPTION	MATERIAL	COLOR	REMARK

SUYIN
CONNECTOR

CUSTOMER COPY TITLE: 2.50mm PITCH Batt. Mole R/A DIP 7Pin Type

PART NO.	250263MRXXXGX02ZX
PART NO. (OLD)	
DRAWING NO. _{ING}	250263MRXXXGX02ZX
SCALE	4:1
UNIT	mm
A4	

ECN (DCN) NO.	REV	DATE	DESCRIPTION	CHANGE	APPRO.	GENERAL TOLERANCE UNLESS OTHERWISE NOTED	APPRO.	SCALE	UNIT	A4
	A	04/04/01	A1:增加系列PIN數(7pin); NEW			Angle ±2° 30 ~ ±0.50 10 ~ 30 ±0.30 ~ 10 ±0.15	DRAW 許志誠 03/22/04' DESIGN 許志誠 03/22/04' CHECK 陳清照 03/26/04' APPRO. 陳清照 03/26/04'			