

**PLEASE CHECK WWW.MOLEX.COM FOR LATEST PART INFORMATION**

**Part Number:** [0511110300](#)  
**Status:** **Active**  
**Description:** 2.50mm (.098") Pitch Wire-to-Wire and Wire-to-Board Receptacle Housing, With Retainer, 3 Circuits

**Documents:**

[Drawing \(PDF\)](#)  
[Product Specification PS-51111-001 \(PDF\)](#)  
[Product Specification PS-51111-002 \(PDF\)](#)  
[Product Specification PS-51111-003 \(PDF\)](#)  
[RoHS Certificate of Compliance \(PDF\)](#)

**Agency Certification**

CSA LR19980  
 UL E29179

**General**

Product Family Crimp Housings  
 Series [51111](#)  
 Product Name N/A

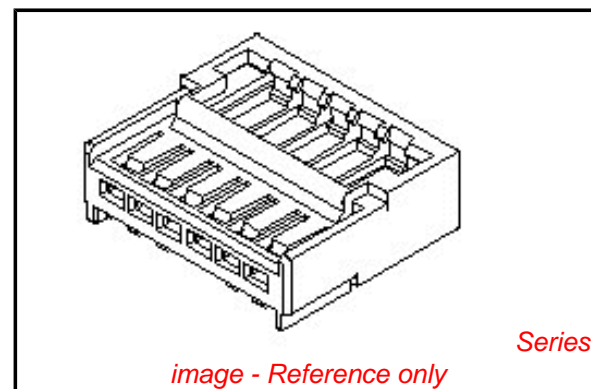
**Physical**

Circuits (maximum) 3  
 Color - Resin Natural  
 Flammability 94V-0  
 Gender Female  
 Glow-Wire Compliant No  
 Material - Resin Polyester  
 Number of Rows 1  
 Packaging Type Bag  
 Panel Mount No  
 Pitch - Mating Interface (in) 0.098 In  
 Pitch - Mating Interface (mm) 2.50 mm  
 Stackable No  
 Temperature Range - Operating -40°C to +105°C

**Material Info**

**Reference - Drawing Numbers**

Product Specification PS-51111-001, PS-51111-002, PS-51111-003, RPS-51111-001, RPS-51111-005, RPS-51111-006, RPS-51111-007  
 Sales Drawing SD-51111-\*\*00



**EU RoHS**

**ELV and RoHS Compliant**  
**REACH SVHC Contains SVHC: No**  
**Halogen-Free Status**

**Not Reviewed**

**Need more information on product environmental compliance?**

Email [productcompliance@molex.com](mailto:productcompliance@molex.com)  
 For a multiple part number RoHS Certificate of Compliance, [click here](#)

Please visit the [Contact Us](#) section for any non-product compliance questions.

**China RoHS**



**Search Parts in this Series**

[51111Series](#)

**Mates With**

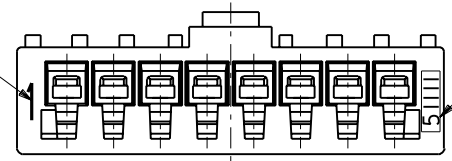
[51112](#) , [51112wr](#) , [53561](#) , [53730](#)

**Use With**

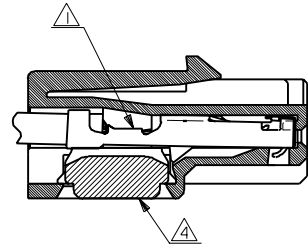
[50397](#) , [51113](#)

DWG. NO. SD-51111-\*\*\*00

回路番号  
CIRCUIT NO. 1



ENG. NO.

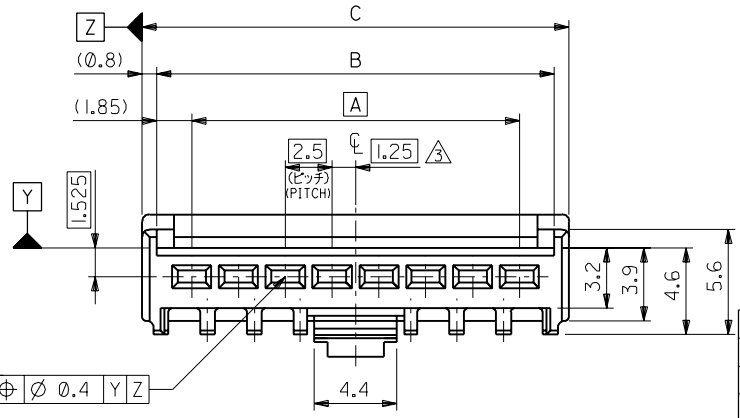
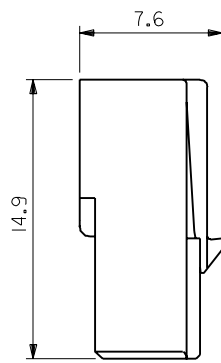
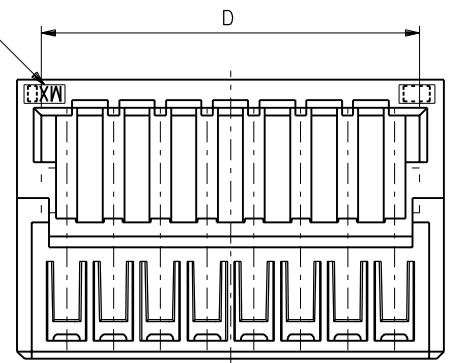


ターミナル及びリテーナー装着状態図  
TERMINAL & RETAINER ASSEMBLY DRAWING

注記 NOTES

- △ 適合ターミナル：50397シリーズ  
APPLICABLE TERMINAL：50397 SERIES
- 2. 嵌合相手：51112,53730,53930シリーズ  
MATE WITH：51112,53730,53930 SERIES
- △ 偶数極の製品に適用。  
APPLY EVEN CIRCUIT PRODUCTS.
- △ 適合リテーナー：51113シリーズ  
APPLICABLE RETAINER：51113 SERIES

トレードマーク  
TRADE MARK



37.45	40.3	38.7	35	51111-1500	15
34.95	37.8	36.2	32.5	▲ -1400	14
32.45	35.3	33.7	30	-1300	13
29.95	32.8	31.2	27.5	-1200	12
27.45	30.3	28.7	25	-1100	11
24.95	27.8	26.2	22.5	-1000	10
22.45	25.3	23.7	20	-0900	9
19.95	22.8	21.2	17.5	-0800	8
17.45	20.3	18.7	15	-0700	7
14.95	17.8	16.2	12.5	-0600	6
12.45	15.3	13.7	10	-0500	5
9.95	12.8	11.2	7.5	-0400	4
7.45	10.3	8.7	5	▼ -0300	3
4.95	7.8	6.2	2.5	51111-0200	2
	D	C	B	A	ENG. NO.

極数  
NO. OF  
CKT.

角度 ANGLE	±3°				
30以上 OVER	+0.3	B	変更 REVISD (JC80015)	K.T	97/7/7
10以上 30未満 UNDER	+0.25	A	変更 REVISD (J40498)	S.K	94/6/22
10未満 UNDER	+0.2	0	新規作成 RELEASED (J40072)	K.T	94/2/22
一般公差 GENERAL TOLERANCES		記号 LTR	変更内容 REVISION RECORD	DR. CHK.	日付 DATE

材料 MATERIAL	PBTP, UL94V-0 (白色 WHITE)
仕上げ FINISH	—
適用電線範囲 WIRE RANGE	—
被覆外径 INS. RANGE	—
DRAWN BY '94/2/2	CHK'D BY '97/7/7
K.TOJO	S.KUNISHI
APP'D BY '97/7/7	M.FUKUSHIMA
尺度 SCALE	4 : 1

**molex** MOLEX-JAPAN CO.,LTD.  
日本モレックス株式会社

REVISE ONLY ON CAD SYSTEM

TITLE 名称  
2.5 WIRE TO WIRE CONN.  
RECEPTACLE HOUSING  
WITH RETAINER

DWG. NO. SD-51111-\*\*\*00

REV B

MM DIMENSIONS IN METRIC DO NOT SCALE DRAWING