

PLEASE CHECK WWW.MOLEX.COM FOR LATEST PART INFORMATION

Part Number: [0351271000](#)
Status: **Active**
Description: 6.00mm (.236") Pitch Wire-to-Wire Male Housing, 10-Circuits, Vertical

Documents:

[3D Model](#) [Product Specification PS-35127-001 \(PDF\)](#)
[Drawing \(PDF\)](#) [RoHS Certificate of Compliance \(PDF\)](#)

Agency Certification

CSA	LR19980
TUV	R72081037
UL	E29179

General

Product Family	Crimp Housings
Series	35127
Product Name	N/A

Physical

Circuits (maximum)	10
Color - Resin	Natural
Flammability	94V-0
Gender	Male
Glow-Wire Compliant	No
Material - Resin	Polyester
Number of Rows	1
Packaging Type	Bag
Panel Mount	Yes
Pitch - Mating Interface (in)	0.236 In
Pitch - Mating Interface (mm)	6.00 mm
Stackable	No
Temperature Range - Operating	-40°C to +120°C

Material Info

Reference - Drawing Numbers

Product Specification	PS-35127-001
Sales Drawing	SD-35127-003

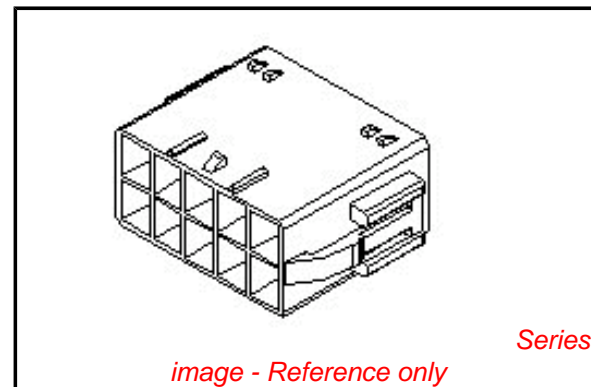


image - Reference only

EU RoHS

**ELV and RoHS
Compliant**
REACH SVHC
 Not Reviewed
**Halogen-Free
Status**
 Not Reviewed

China RoHS



**Need more information on product
environmental compliance?**

Email productcompliance@molex.com
 For a multiple part number RoHS Certificate of
 Compliance, [click here](#)

Please visit the [Contact Us](#) section for any
 non-product compliance questions.

Search Parts in this Series

[35127Series](#)

Mates With

[35128](#)

Use With

[35040](#)

DWG. NO. SD-35127-003

SIMILAR ITEM

PROJECT NO.

B

DO NOT SCALE DRAWING
DIMENSION IN METRIC

8 7 6 5 4 3 2 1

F

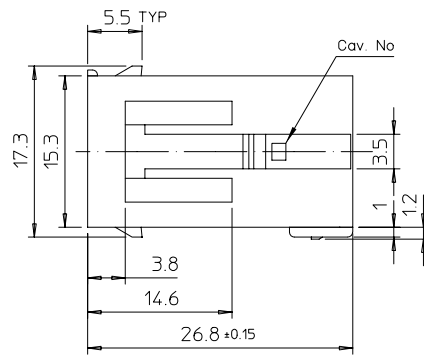
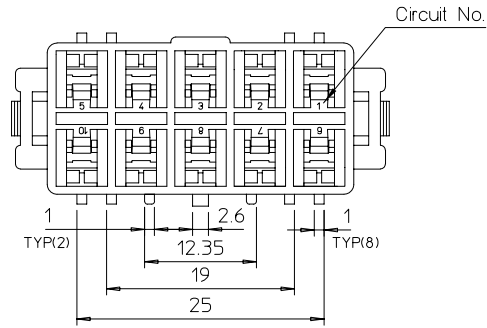
E

D

C

B

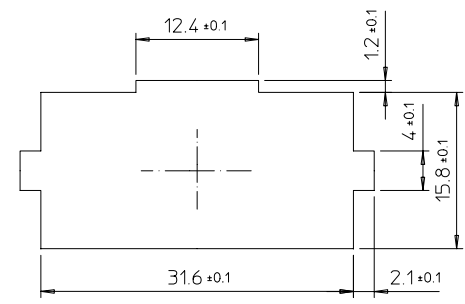
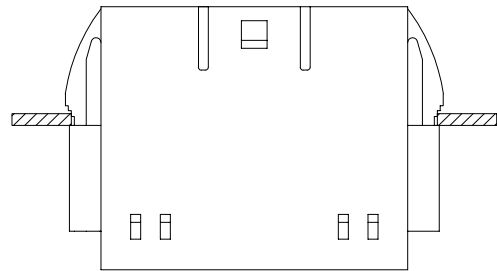
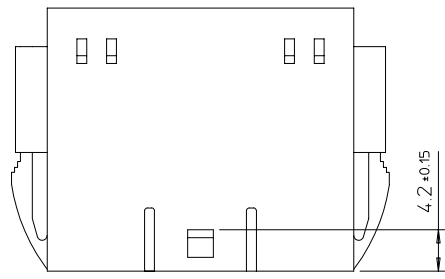
A



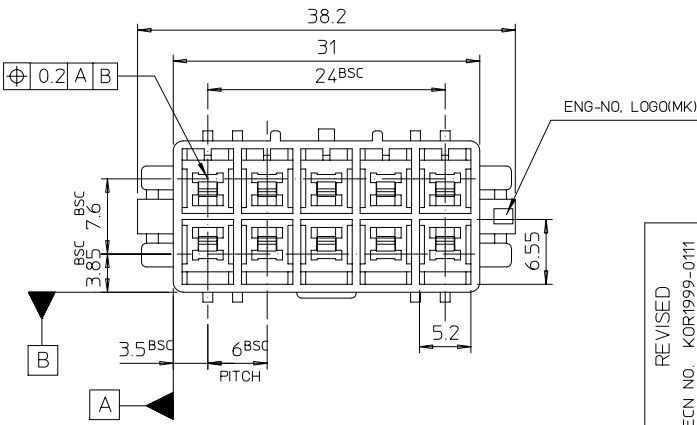
NOTES

1. MATERIALS: POLYESTER(PBT), UL94V-0, COLOR: NATURAL(WHITE)
2. DRAFT TO BE 0°30' UNLESS SPECIFIED.
3. WARPING TO BE 0.20 MAX.
4. PERMISSIBLE FLASH: 0.10MAX.
5. APPLICABLE MALE TERMINAL : 35040-****
6. MATED FEMALE HOUSING : 35128-****
7. PRODUCT SPECIFICATION : PS35127

351271000	35127-1000	10
MAT'L NO	ENG NO	CIRCUITS



APPLICABLE PANNEL
THICKNESS : 1.2~2.0mm



REVISED	ECN NO. KOR1999-0111	QUALITY SYMBOLS	GENERAL TOLERANCES: (UNLESS SPECIFIED)		SCALE 2:1	DESIGN UNITS <input checked="" type="checkbox"/> mm <input type="checkbox"/> INCH	THIRD ANGLE PROJECTION <input checked="" type="checkbox"/> <input type="checkbox"/>	DIMENSIONS:		SHT	REV
	DRWN: Y.R.WI 00.0106		MAJOR	mm	INCH	mm		mm	mm	mm	mm
B	CHK: J.K.OH	DESCRIPTION	4 PLACES	±0.	±.	DRAWN BY & DATE Y.J.KIM 92.01.17	CHECKED BY & DATE Y.J.KIM 92.01.17	TITLE: 6.0 PITCH W-t-W MALE HSG - 10P			
	APPR: C.W.LEE		CRITICAL	3 PLACES	±0.			±.	APPROVED BY & DATE C.W.LEE 92.01.17	MOLEX INCORPORATED	
REV			2 PLACES	±0.	±.	CAD FILENAME SD35127C_B.MI	MATERIAL NO. SEE TABLE	DRAWING NO. SD-35127-003	SHEET NO. 1 of 1	SIZE B	
			1 PLACE	±0.2	±.	THIS DRAWING CONTAINS INFORMATION THAT IS PROPRIETARY TO MOLEX INCORPORATED AND SHOULD NOT BE USED WITHOUT WRITTEN PERMISSION.					
			ANGULAR: ± 1°		KOREA MX-A3						

8 7 6 5 4 3 2 1 KOREA MX-A3