

**PLEASE CHECK WWW.MOLEX.COM FOR LATEST PART INFORMATION**

**Part Number:** [0351270600](#)  
**Status:** **Active**  
**Description:** 6.00mm (.236") Pitch Wire-to-Wire Male Housing, 6 Circuits, Vertical

**Documents:**

[3D Model](#) [Product Specification PS-35127-001 \(PDF\)](#)  
[Drawing \(PDF\)](#) [RoHS Certificate of Compliance \(PDF\)](#)

**Agency Certification**

CSA	LR19980
TUV	R72081037
UL	E29179

**General**

Product Family	Crimp Housings
Series	<a href="#">35127</a>
Product Name	N/A

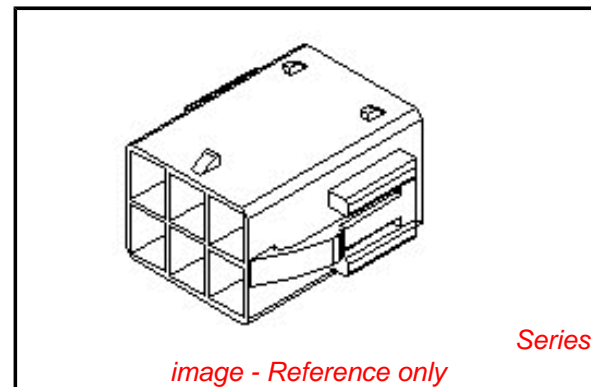
**Physical**

Circuits (maximum)	6
Color - Resin	Natural
Flammability	94V-0
Gender	Male
Glow-Wire Compliant	No
Material - Resin	Polyester
Number of Rows	2
Packaging Type	Bag
Panel Mount	No, Yes
Pitch - Mating Interface (in)	0.236 In
Pitch - Mating Interface (mm)	6.00 mm
Stackable	No
Temperature Range - Operating	-40°C to +120°C

**Material Info**

**Reference - Drawing Numbers**

Product Specification	PS-35127-001
Sales Drawing	SD-35127-002



*image - Reference only*

**EU RoHS**

**ELV and RoHS  
Compliant**  
**REACH SVHC**  
 Not Reviewed  
**Halogen-Free  
Status**  
 Not Reviewed

**China RoHS**



**Need more information on product  
environmental compliance?**

Email [productcompliance@molex.com](mailto:productcompliance@molex.com)  
 For a multiple part number RoHS Certificate of  
 Compliance, [click here](#)

Please visit the [Contact Us](#) section for any  
 non-product compliance questions.

**Search Parts in this Series**

[35127Series](#)

**Mates With**

[35128](#)

**Use With**

[35040](#)

DO NOT SCALE DRAWING  
DIMENSION IN METRIC

B

C

PROJECT NO.

SIMILAR ITEM

DWG. NO. SD-35127-002

8

7

6

5

4

3

2

1

F

E

D

C

B

A

8

7

6

5

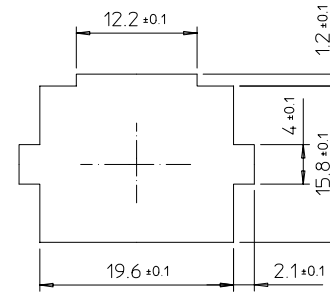
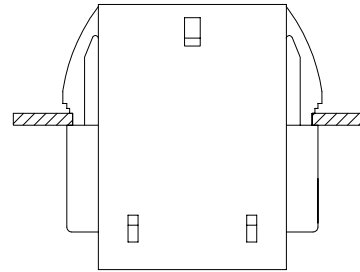
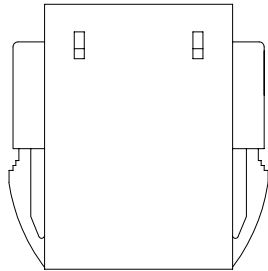
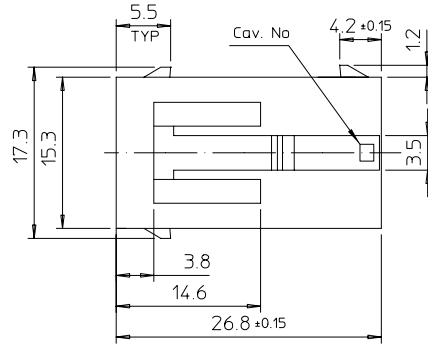
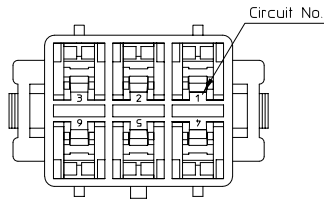
4

3

2

KOREA

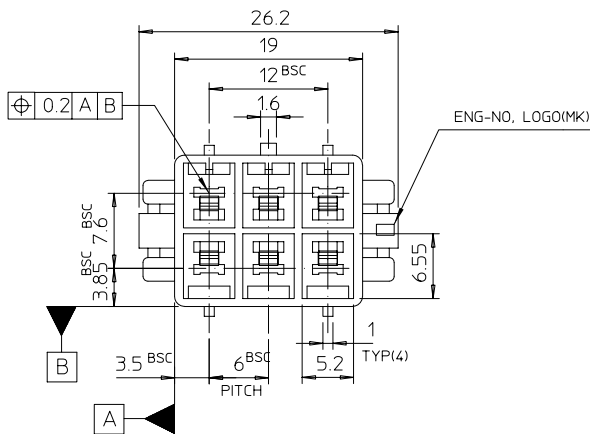
MX-A3



NOTES

1. MATERIALS: POLYESTER(PBT), UL94V-0, COLOR: NATURAL(WHITE)
2. DRAFT TO BE 0°30' UNLESS SPECIFIED.
3. WARPING TO BE 0.20 MAX.
4. PERMISSIBLE FLASH: 0.10MAX.
5. APPLICABLE MALE TERMINAL : 35040-\*\*\*\*
6. MATED FEMALE HOUSING : 35128-\*\*\*\*
7. PRODUCT SPECIFICATION : PS35127

351270600	35127-0600	6
MAT'L NO	ENG NO	CIRCUITS



APPLICABLE PANNEL

THICKNESS : 1.2~2.0mm

REVISED ECN NO. KOR2000-0003 DRWN: Y.R.WI 00.0106 CHK: J.K.OH APPR: C.W.LEE	QUALITY SYMBOLS MAJOR = 2 CRITICAL =	GENERAL TOLERANCES: (UNLESS SPECIFIED)		SCALE 2:1	DESIGN UNITS <input checked="" type="checkbox"/> mm <input type="checkbox"/> INCH	THIRD ANGLE PROJECTION <input checked="" type="checkbox"/> mm <input type="checkbox"/> INCH <input type="checkbox"/> mm ONLY	DIMENSIONS: <input type="checkbox"/> mm <input type="checkbox"/> INCH <input type="checkbox"/> mm ONLY	SHT	REV						
		4 PLACES ±0.	3 PLACES ±0.	2 PLACES ±0.	1 PLACE ±0.2			DRAWN BY & DATE Y.J.KIM 92.01.17		CHECKED BY & DATE Y.J.KIM 92.01.17		APPROVED BY & DATE C.W.LEE 92.01.17		TITLE: 6.0 PITCH W-t-W MALE HSG - 6P	
B	REV	ANGULAR: ± 1°		CAD FILENAME SD35127B_B.MI		MATERIAL NO. SEE TABLE		DRAWING NO. SD-35127-002		SHEET NO 1 of 1		MOLEX INCORPORATED		SIZE B	
DRAFT WHERE APPLICABLE MUST REMAIN WITHIN DIMENSIONS												THIS DRAWING CONTAINS INFORMATION THAT IS PROPRIETARY TO MOLEX INCORPORATED AND SHOULD NOT BE USED WITHOUT WRITTEN PERMISSION.			