



Solid State Devices, Inc.

14701 Firestone Blvd * La Mirada, CA 90638-5223
 Phone: (562) 404-4474 * Fax: (562) 404-1773
 ssdi@ssdi-power.com * www.ssdi-power.com

**SED150LB30, SED150LE30,
and SED150LT30**

**150 A / 30 V
Schottky Rectifier**

Designer's Data Sheet

Part Number / Ordering Information^{1/}

SED150

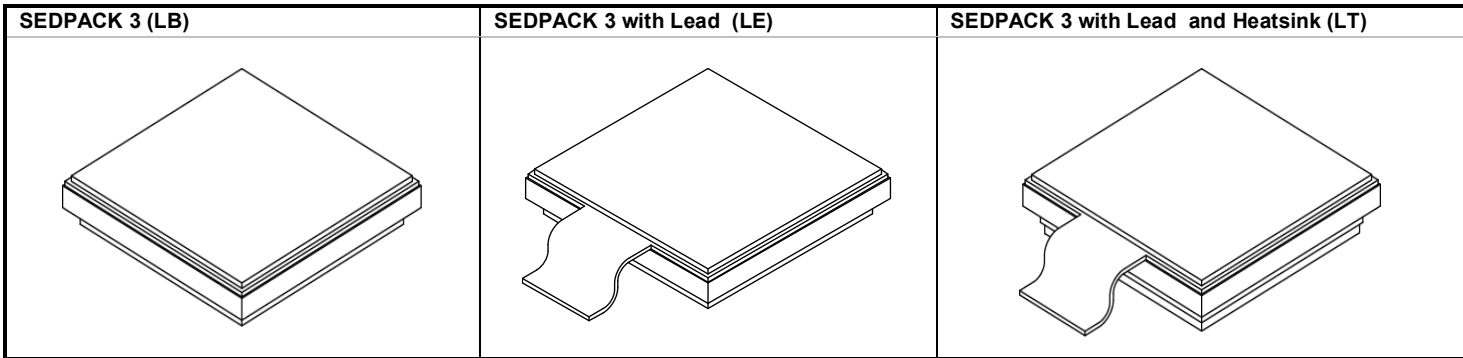
Screening^{2/} = Not Screened
 TX = TX Level
 TXV = TXV
 S = S Level

Voltage 30 = 30 V

Package
 LB = Sedpack 3
 LE = Sedpack 3 with Lead
 LT = Sedpack 3 with Lead and Heatsink

- FEATURES:**
- 30 Volt Schottky Rectifier
 - Average Output Current 150 Amps
 - Low Reverse Leakage
 - Low Forward Voltage Drop
 - Hermetically Sealed Power Surface Mount Package
 - Guard Ring for Overvoltage Protection
 - Eutectic Die Attach
 - TX, TXV, and Space Level Screening Available^{2/}. Consult Factory.

MAXIMUM RATINGS ^{3/}	Symbol	Value	Units
Peak Repetitive Reverse and DC Blocking Voltage	V_{RRM} V_{RWM} V_R	30	Volts
Average Rectified Forward Current (Resistive Load, 60 Hz, Sine Wave, $T_C = 100^\circ\text{C}$)	I_O	150	Amps
Peak Surge Current (8.3 ms pulse, half sine wave superimposed on I_O , allow Junction to reach equilibrium between pulses, $T_A = 25^\circ\text{C}$)	I_{FSM}	1000	Amps
Operating & Storage Temperature	$T_{OP} \ \& \ T_{stg}$	-55 to +150	$^\circ\text{C}$
Maximum Thermal Resistance (Junction to Case)	$R_{\theta JC}$	0.3	$^\circ\text{C/W}$



NOTES:
 1/ For Ordering Information, Price, and Availability Contact Factory.
 2/ Screened to MIL-PRF-19500.
 3/ Unless Otherwise Specified, All Electrical Characteristics @25°C.



Solid State Devices, Inc.

14701 Firestone Blvd * La Mirada, CA 90638-5223
 Phone: (562) 404-4474 * Fax: (562) 404-1773
 ssdi@ssdi-power.com * www.ssdi-power.com

**SED150LB30, SED150LE30,
and SED150LT30**

ELECTRICAL CHARACTERISTICS ^{3/}	Symbol	Maximum Value	Units
Instantaneous Forward Voltage Drop (T _A =25°C, 300-500 μsec pulse)	I _F = 50 A	V _{F1}	0.46
	I _F = 110 A	V _{F2}	0.55
	I _F = 150 A	V _{F3}	0.65
Instantaneous Forward Voltage Drop (300-500 μsec pulse)	T _A = 125°C, I _F = 150 A	V _{F4}	0.60
Reverse Leakage Current (Rated V _R , T _A = 25°C, 300 μsec pulse minimum)		I _{R1}	7.5
Reverse Leakage Current (Rated V _R , T _A = 125°C, 300 μsec pulse minimum)		I _{R2}	750
Junction Capacitance (V _R = 5V, f = 1MHz, T _A = 25°C)		C _J	7000

NOTES: 1/ For Ordering Information, Price, and Availability Contact Factory. 2/ Screened to MIL-PRF-19500. 3/ Unless Otherwise Specified, All Electrical Characteristics @25°C.	PIN ASSIGNMENT			
	Package	TOP	BOTTOM	LEAD
	Sedpack 3 (LB)	Anode	Cathode	---
	Sedpack 3 with Lead (LE)	Anode	Cathode	Anode
	Sedpack 3 with Lead (LT)	Anode	Cathode	Anode

