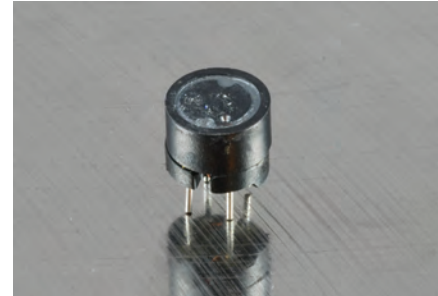
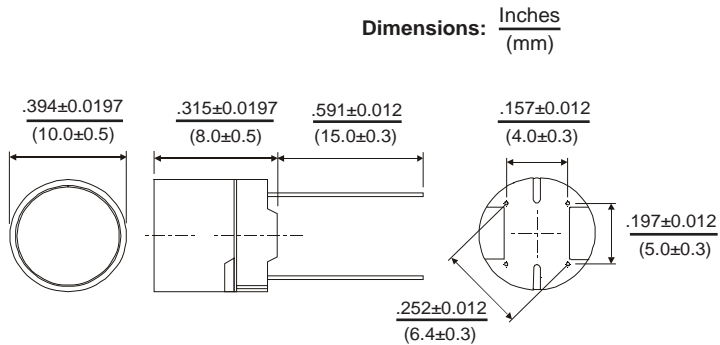




Radial Shielded 4 Pin Inductor

RS4P1008



Allied Part Number	Inductance (μH)	Tolerance %	Test Frequency @ 0.1v	DCR mΩ MAX	Rated Current (A) Max
RS4P1008-100M-RC	10	20	2.52 MHz	0.05	2.80
RS4P1008-120M-RC	12	20	2.52 MHz	0.06	2.50
RS4P1008-150M-RC	15	20	2.52 MHz	0.07	2.30
RS4P1008-180M-RC	18	20	2.52 MHz	0.08	2.10
RS4P1008-220M-RC	22	20	2.52 MHz	0.09	2.00
RS4P1008-270M-RC	27	20	2.52 MHz	0.10	1.76
RS4P1008-330M-RC	33	20	2.52 MHz	0.11	1.60
RS4P1008-390M-RC	39	20	2.52 MHz	0.12	1.38
RS4P1008-470M-RC	47	20	2.52 MHz	0.14	1.28
RS4P1008-560K-RC	56	10	2.52 MHz	0.15	1.20
RS4P1008-680K-RC	68	10	2.52 MHz	0.16	1.00
RS4P1008-820K-RC	82	10	2.52 MHz	0.18	0.96
RS4P1008-101K-RC	100	10	1 KHz	0.20	0.92
RS4P1008-121K-RC	120	10	1 KHz	0.24	0.80
RS4P1008-151K-RC	150	10	1 KHz	0.35	0.73
RS4P1008-181K-RC	180	10	1 KHz	0.40	0.64
RS4P1008-221K-RC	220	10	1 KHz	0.54	0.61
RS4P1008-271K-RC	271	10	1 KHz	0.76	0.56
RS4P1008-331K-RC	330	10	1 KHz	0.86	0.50
RS4P1008-391K-RC	390	10	1 KHz	0.93	0.44
RS4P1008-471K-RC	470	10	1 KHz	1.23	0.41
RS4P1008-561K-RC	560	10	1 KHz	1.34	0.38
RS4P1008-681K-RC	680	10	1 KHz	1.53	0.34
RS4P1008-821K-RC	820	10	1 KHz	2.10	0.32
RS4P1008-102K-RC	1000	10	1 KHz	2.30	0.28

All specifications subject to change without notice.

Features

- Magnetically Shielded
- Integrated Standoff for insulated and stable mounting
- 4 Pin Mounting for high vibration and rugged applications

Electrical

Inductance Range: 10μH ~ 1000μH

Tolerance: 20% @ 10μH ~ 47μH

10% @ 56μH ~ 1000μH

Test Frequency: 2.52MHz / 1V @ 10μH-82μH
1KHz / 1V @ 100μH ~ 1000μH

Operating Temp: -40°C ~ +85°C

Storage Temp: -40°C ~ +125°C

Rated Current: The current at which the inductance will drop 10% from its initial value

Test Equipment

(L): HP4284A / HP4285A

DCR: CH502BC

Current: VR126G/7220

Physical

Packaging: 200 / Inner Box

Marking: EIA Inductance Code