

INTEGRATED CIRCUIT POWER DRIVERS

500 mA DARLINGTON ARRAYS

ULN-2001L through 2005L and ULN-2801LW through 2805LW

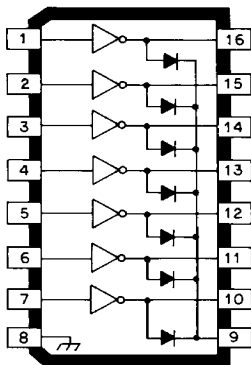
- 50 V Open-Collector Outputs
- Integral Transient-Suppression Diodes
- Extended-Temperature, Hermetically Sealed Versions to MIL-STD-883 are ULS-_____EK

ULN-2021L through 2025L and ULN-2821LW through 2825LW

- 95 V Open-Collector Outputs
- Integral Transient-Suppression Diodes

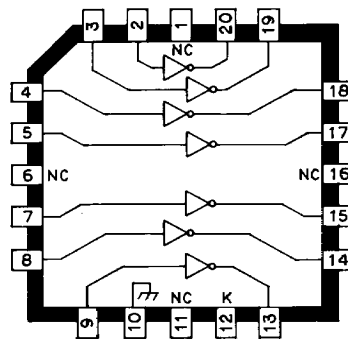
General Purpose	ULN-2001/21, ULN-2801/21
15-25 V PMOS	ULN-2002/22, ULN-2802/22
5 V TTL/CMOS	ULN-2003/23, ULN-2803/23
6-15 V CMOS, PMOS	ULN-2004/24, ULN-2804/24
High-Output TTL	ULN-2005/25, ULN-2805/25

**ULN-2001L
through
ULN-2025L**



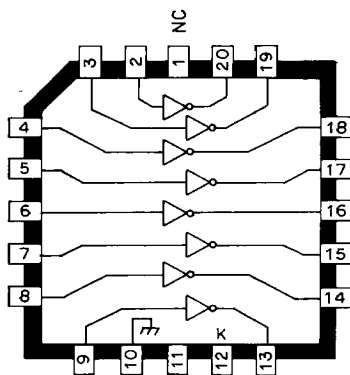
Dwg. No. A-14,377

**ULS-2001EK
through
ULS-2005EK**



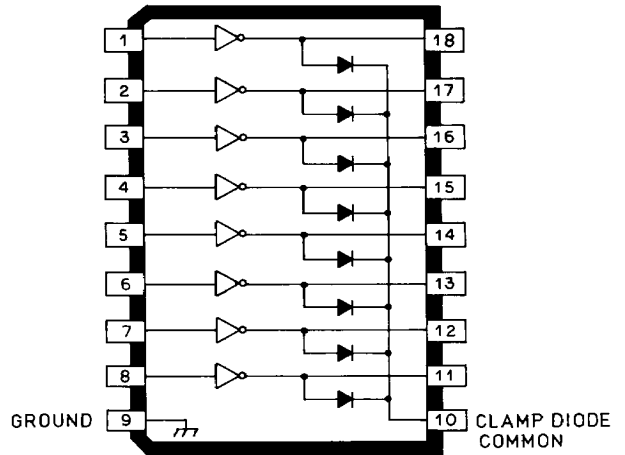
Dwg. No. A-14,378

**ULS-2801EK
through
ULS-2805EK**



Dwg. No. A-14,324

**ULN-2801LW
through
ULN-2825LW**



Dwg. No. A-14,379