

STK4028 X Series

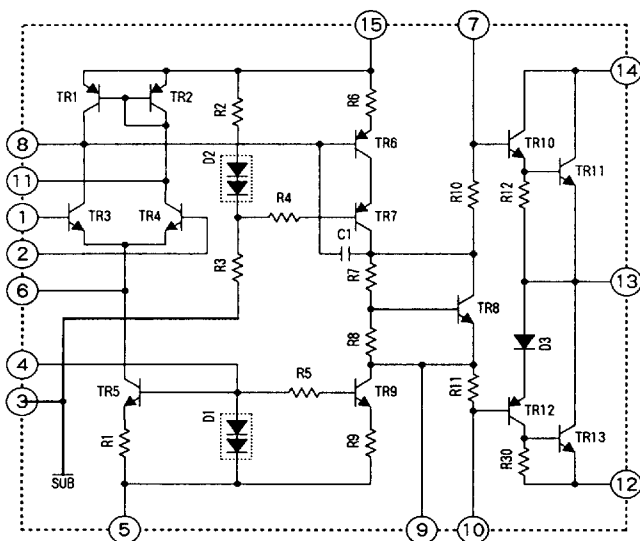
★1ch./1package, ± Power Supply
 ★30W~100W
 ★THD=0.008%

Model	Maximum Ratings 最大定格	Recommended Operating Conditions 推奨動作条件		Operating Characteristics (Recommend Operating Conditions at Test Circuit) 動作特性(Test Circuitにて 推奨動作条件による)			
		Vcc max [V]	Vcc [V]		Po max 1 RL=8Ω f=20~ 20kHz [W]	THD (V _G =40dB) [%]	Po max 2 RL=4Ω f=1kHz [W]
	RL=8Ω		RL=4Ω				
*STK4028 X	±42.0	±29.0	±26.0	30	0.008	35	0.04
STK4030 X	±46.0	±32.0	±29.0	35	0.008	40	0.04
*STK4032 X	±49.0	±33.5	±30.0	40	0.008	45	0.04
*STK4034 X	±50.0	±35.0	±31.0	45	0.008	50	0.04
*STK4036 X	±52.0	±37.0	±31.5	50	0.008	55	0.04
STK4038 X	±57.0	±39.5	±33.5	60	0.008	60	0.04
*STK4040 X	±62.0	±42.5	±36.0	70	0.008	70	0.04
STK4042 X	±67.0	±46.0	-	80	0.018	-	-
STK4044 X	±74.0	±51.0	-	100	0.018	-	-

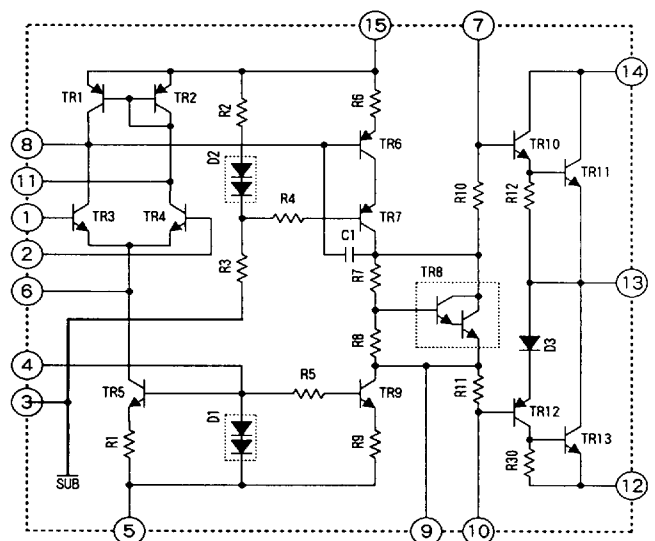
* Under mass production

Equivalent Circuit

① STK4028 X ~ STK4040 X

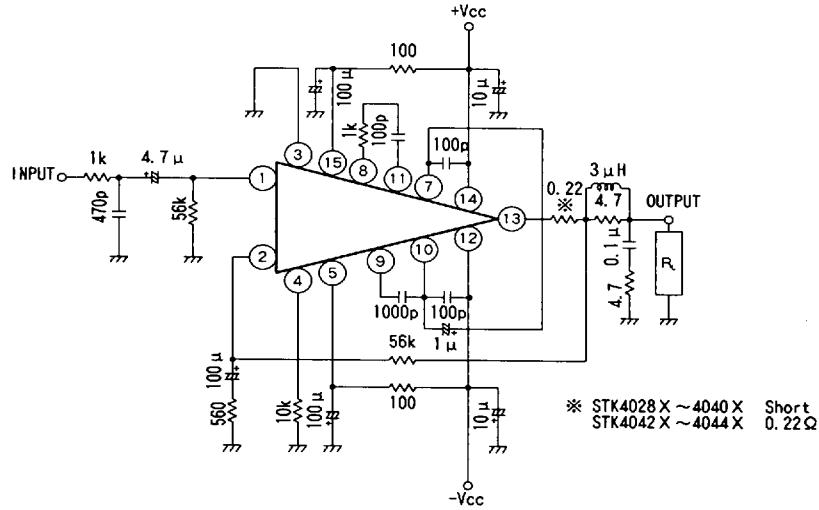


② STK4042 X ~ STK4044 X



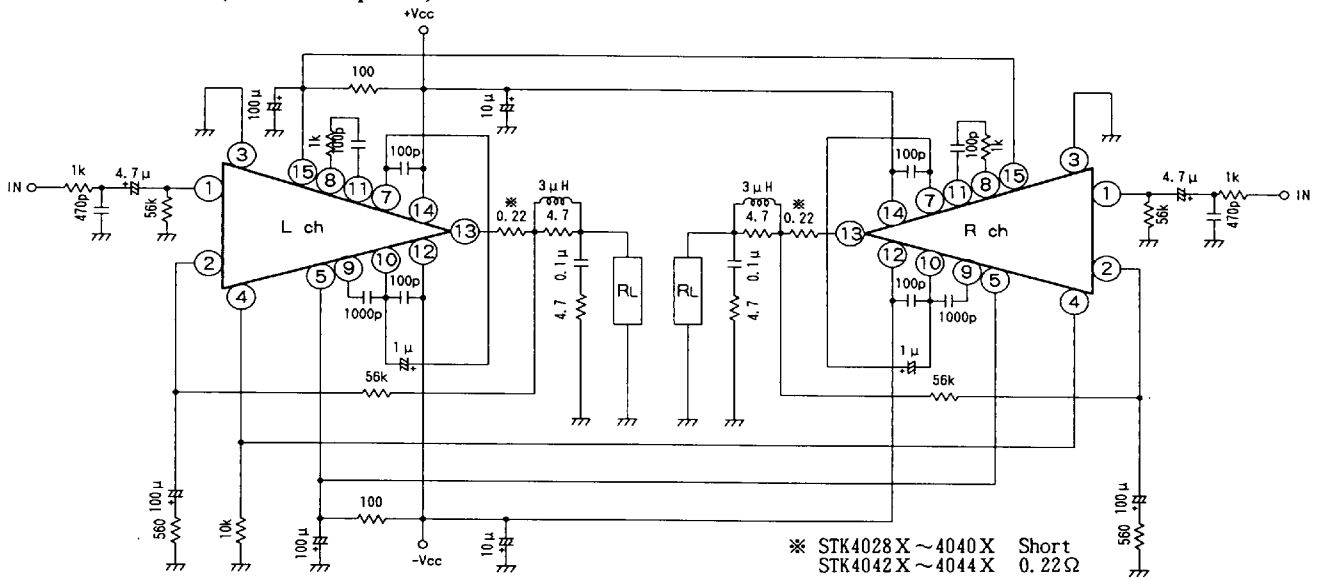
STK Audio Power Amplifier

■ Test Circuit



■ Application Circuit

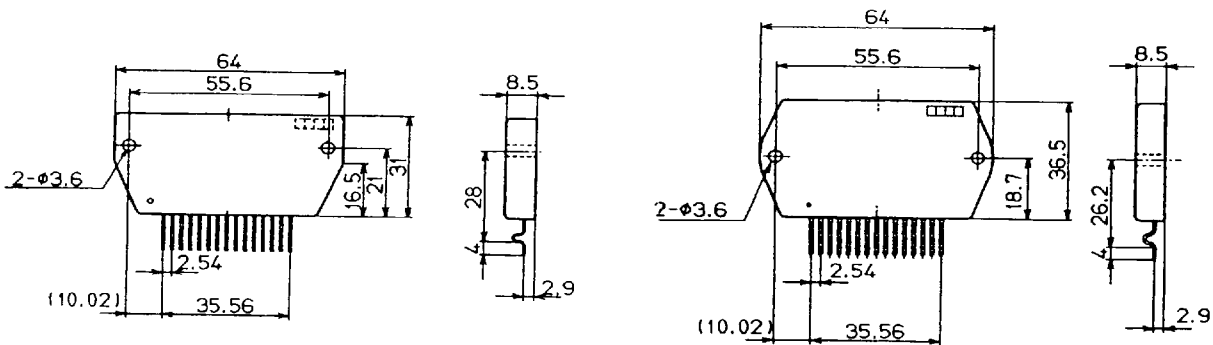
(Stereo Amplifier)



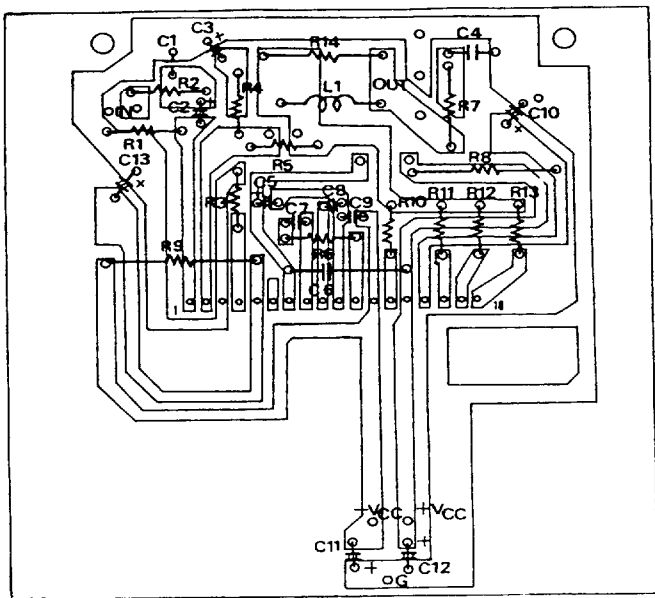
■ Case Outline

① STK4028 X ~ STK4040 X

② STK4042 X ~ STK4044 X



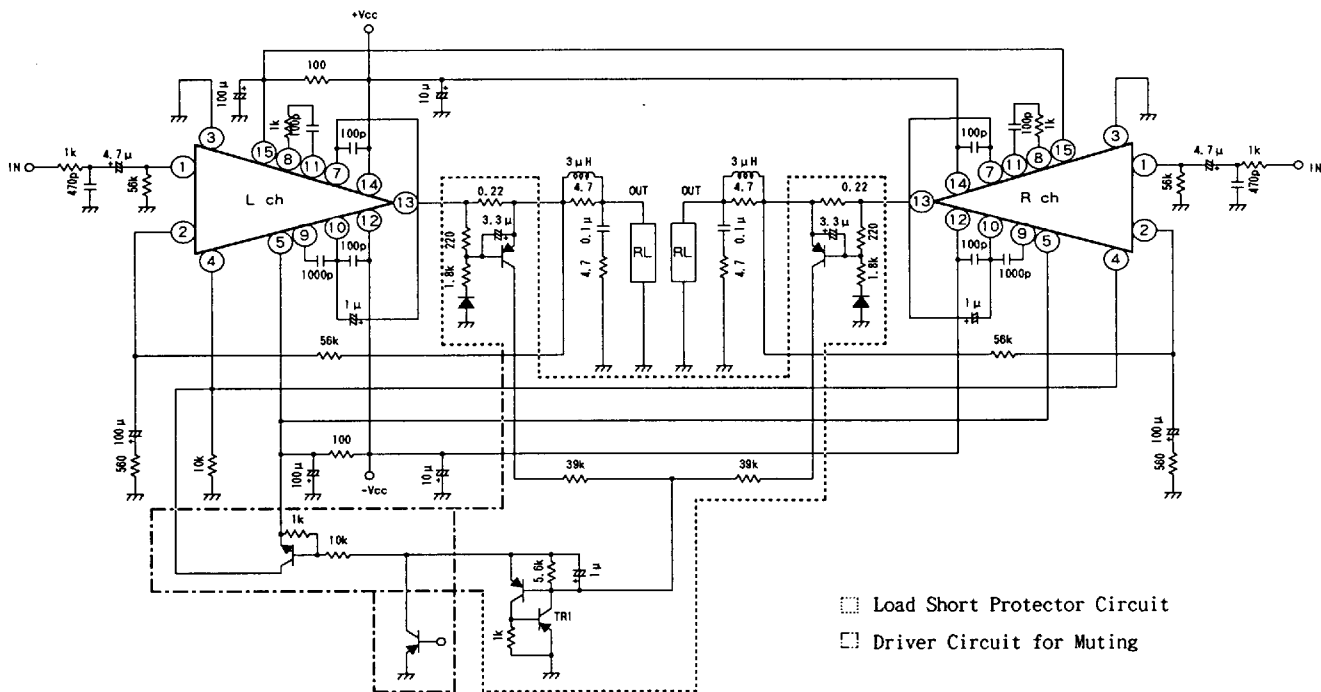
Sample Application PCB (Cu - foil side)



R1	56k	C1	470p	L1	3 μ H
R2	1k	C2	4.7 μ		
R3	10k	C3	100 μ		
R4	560	C4	0.1 μ		
R5	56k	C5	1 μ		
R6	1k	C6	100p		
R7	4.7k	C7	100p		
R8	100	C8	1000p		
R9	100	C9	100p		
R10	0.22	C10	100 μ		
R11	0.22	C11	10 μ		
R12	0.22	C12	10 μ		
R13	0.22	C13	100 μ		

	R10	R11, 12, 13	L1, R14
4028 X 4040 X	Short	Open	Short
4042 X 4044 X	0.22	Open	3 μ H 4.7 Ω

Load Short Protector & Muting Circuit



Load Short Protector Circuit
 Driver Circuit for Muting