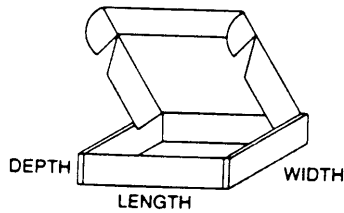


CORSTAT®

STOCK PRODUCT RANGE

CORSTAT® COMPONENT BOXES

Static shielding and physical protection for small components. Made in 'E' Flute material, Corstat coated both sides, printed with date code and reference number. All can be supplied flat packed or assembled with pink anti-static foam. Conductive foam can be supplied on special request. Overprinting of customer logo available at extra cost.

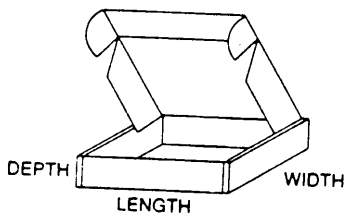


| STOCK NO. | INSIDE DIMENSIONS MM | | |
|-----------|----------------------|---------|---------|
| | LENGTH | x WIDTH | x DEPTH |
| CBS | 40 | 40 | 15 |
| CB-1 | 60 | 60 | 25 |
| CB-2 | 100 | 100 | 38 |
| CB-3 | 135 | 50 | 20 |

OTHER NON-STOCK SIZES AVAILABLE ON REQUEST

CORSTAT® TRANSIT PACKS

Faraday Cage Protection shields PCBs and components during shipping and handling. Made in 'B' Flute material, Corstat coated both sides. Printed with static warning sign, date code and reference number in yellow. All can be supplied flat packed or assembled with pink anti-static profiled foam. Die cut foam or conductive foam can be supplied on special request. Also available with brown or white outside by special order. Overprinting of customer name & logo available at extra cost.



| STOCK NO. | INSIDE DIMENSIONS MM | | |
|-----------|----------------------|---------|---------|
| | LENGTH | x WIDTH | x DEPTH |
| 3080-1 | 178 | 127 | 38 |
| 3090-2 | 178 | 127 | 64 |
| 3180-3 | 229 | 191 | 38 |
| 3190-4 | 229 | 191 | 64 |
| 3220-5 | 267 | 216 | 38 |
| 3230-6 | 267 | 216 | 64 |
| 3310-7 | 318 | 267 | 38 |
| 3320-8 | 318 | 267 | 64 |
| 3400-9 | 340 | 140 | 64 |
| 3500-10 | 394 | 318 | 64 |
| 3600-11 | 521 | 394 | 38 |
| 3610-12 | 521 | 394 | 64 |

OTHER NON-STOCK SIZES AVAILABLE ON REQUEST

CORSTAT® POSTAL SLEEVES

Designed to protect and so give longer life to transit packs when posted or shipped and labelling is required. Outer sleeves to suit the whole range of stock transit packs are available. Made in Brown 'B' Flute material. Overprinting of customer name or instructions available at extra cost.

CORSTAT® BIN BOXES — RAILPAK TUBES

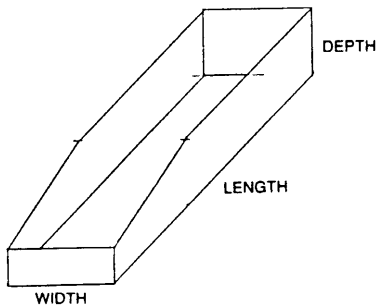
ALL STYLES OF BIN BOXES GIVE STATIC SHIELDING AND PHYSICAL PROTECTION TO CONTENTS. MADE IN 'B' FLUTE MATERIAL CORSTAT COATED BOTH SIDES, MARKED WITH DATE CODES AND REFERENCE NUMBER.

OPEN BINS - Provide in plant ESD protection for dip tubes, ICs and other components available in open and stackable configurations.

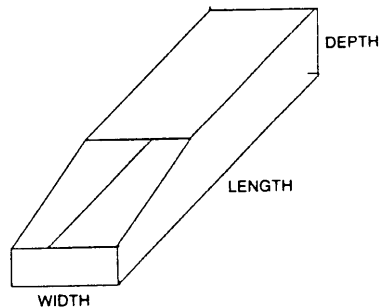
CLOSED BIN - Provides Faraday protection for shipping ICs in unshielded tubes. Can be used in storage for dissipation of static charges.

RAILPAK TUBES - Provide static protection for shipping and storage of dip tubes and ICs. Constructed of multi-ply Corstat® fibreboard. Contains static dissipative cushioning inside each end for vibration dampening.

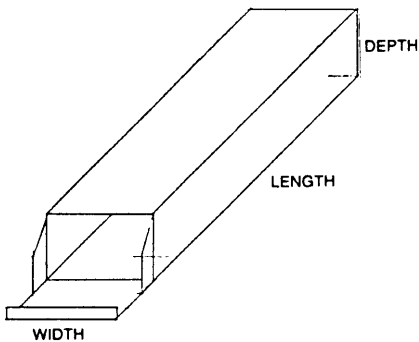
FULLY OPEN BIN



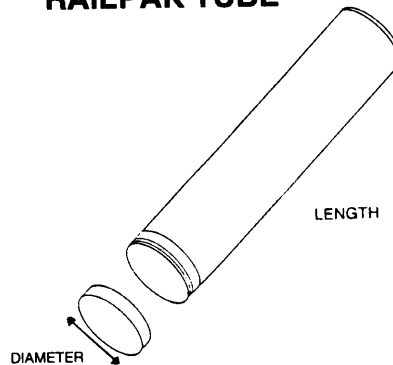
OPEN FRONT BIN



CLOSED BIN



RAILPAK TUBE



DESCRIPTION

STOCK NO.

INSIDE DIMENSIONS MM

| DESCRIPTION | STOCK NO. | LENGTH | x | WIDTH | x | DEPTH | |
|----------------|-----------|---------------------|---|-------|---|-------|--|
| Fully Open Bin | 1205 | 635 | | 108 | | 108 | |
| Fully Open Bin | 1244 | 635 | | 203 | | 108 | |
| Open Front Bin | 2205 | 635 | | 108 | | 108 | |
| Open Front Bin | 2244 | 635 | | 203 | | 108 | |
| Closed Bin | 2000 | 635 | | 108 | | 108 | |
| Railpak Tube | RT 20/21 | 533 x 50MM DIAMETER | | | | | |

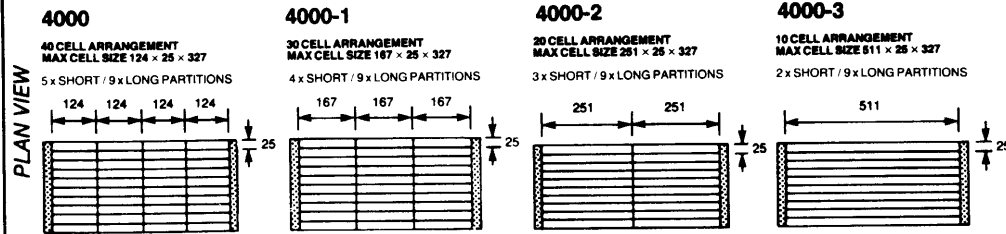
OTHER NON-STOCK SIZES OF OPEN BINS AVAILABLE ON REQUEST

CORSTAT[®] INPLANT HANDLERS

Versatile inplant static protection for various sizes of PCB. Faraday cage protection eliminates need for static protective bags. Durable double wall construction with rolled over sides, handholes, fully adjustable partitions and die cut lid.

Overprinting on base and lid available at extra cost.

Base container made from C-Flute material/Dividers and lid made from B-Flute material

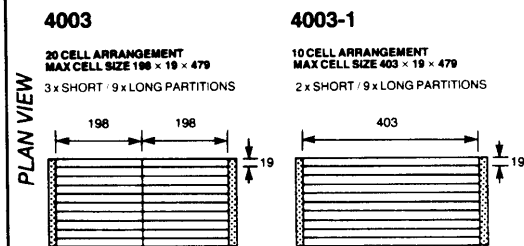
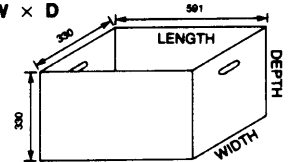


3RD ANGLE PROJECTION

4000-A1

591 × 330 × 330

L × W × D

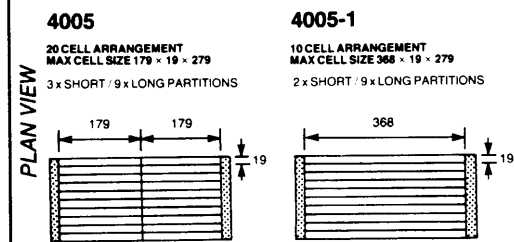
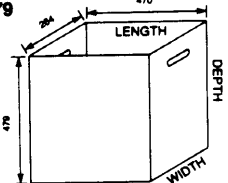


3RD ANGLE PROJECTION

4003-A1

470 × 264 × 479

L × W × D

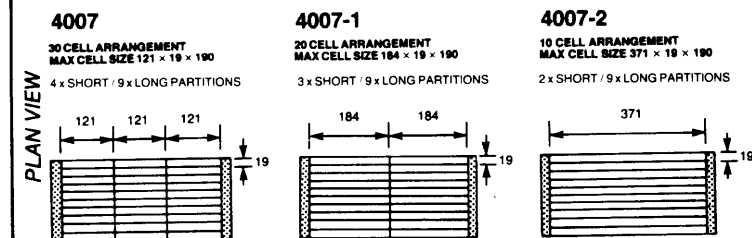
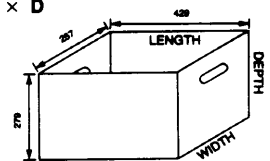


3RD ANGLE PROJECTION

4005-A1

429 × 257 × 279

L × W × D

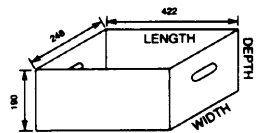


3RD ANGLE PROJECTION

4007-A1

422 × 248 × 190

L × W × D



OTHER NON-STOCK SIZES AVAILABLE ON REQUEST

ALL COMPONENT DIMENSIONS ARE INTERNAL AND IN MILLIMETRES

CORSTAT[®] SPECIAL PACKAGING

Besides the stock range of products in this leaflet, Corstat is renowned for its versatility in special packaging applications. These include boxes for transistors, power packs and P.C.B.'s in one box, special compartment boxes and many other styles.

Corstat also offers a versatile range of materials from folding boxboard to triple wall corrugated board, conductive corrugated plastic (C.C.P.), Foil lined board for E.M.I./R.F.I. protection and COLORSTAT coloured conductive board. All of these materials can be printed to a very high quality.

Because stock materials are held there are no minimum run lengths and delivery is fast.

Should you have a specific application which requires special designing talk to your Corstat contact for a fast response in any material.

CORSTAT[®] TECHNICAL SPECIFICATION

All Corstat Products meet the requirements of C.E.C.C. 00015 the European Standard introduced in 1992

1.0 ELECTRICAL

- 1.1 Surface Resistivity
(per ASTM D257 - 78)
 - 1.1.1 Buried Shielding Layer < 10^4 ohms/sq.
 - 1.1.2 Exterior Layer < 10^5 ohms/sq.
- 1.2 Electrostatic Decay Rate
(Per Mil B 81705B, Test Method 4046,
Federal TMS 101B)
Less than 2.0 seconds to theoretical zero.
- 1.3 ESD Shielding 99.9% Attenuation
(Capacitive Probe Test)
- 1.4 Triboelectric Charge Generation approximately
.01 nC/inch² std. condition

2.0 CHEMICAL

- 2.1 Corrosivity
 - 2.1.1 Reducible Sulphur .00035%
(.0008% non-tarnishing to silver, solder and
copper per TAPPI T-406)
 - 2.1.2 Amines: None
- 2.2 Galvanic Reaction None

3.0 MECHANICAL

- 3.1 Liner papers 100% pure Kraft
- 3.2 Rub Resistance, Exterior layer excellent
(Per Sutherland Ink Rub Test)
- 3.3 Shelf Life 10 YEARS
- 3.4 Cracking **CORSTAT** will not lose continuity
above 10^5 ohms/sq. When flexed
at score line 10 times in a 180'
motion
- 3.5 Printability Excellent
- 3.6 Humidity Dependence No effect on electrical
properties
- 3.7 Identification
 - 3.7.1. Corstat Trade Mark
 - 3.7.2. Date of Manufacture
 - 3.7.3. Stock Reference Number

4.0 APPROVALS

- 4.1 Corstat is approved by the M.O.D. and most
component boxes and transit packs have
N.A.T.O. codification numbers

CORSTAT[®] AND THE ENVIRONMENT

With more attention being paid to our environment you will be pleased to know that all Corstat products are biodegradable and recyclable.

Our products do not contain any heavy metals, aromatics, halogenated hydrocarbons or other environmentally unfriendly components.

The corrugated board we use is supplied by companies who buy paper from countries who have a tree replacing policy, predominantly the U.S.A. and Scandinavia. None of the paper we use is made from trees in the tropical rain forests.

The anti-static foam used in our component boxes/transit packs and some special In-plant handlers is not biodegradable as no company has yet developed a biodegradable anti-static foam.

Also present in foam until recently were chlorofluorocarbons (CFC's)
CFC's may be found in refrigerators, aerosol cans, foam furniture and packaging.

The release of CFC's through the atmosphere into the stratosphere is believed to upset the balance of the ozone layer which protects us from the sun's radiation.

As we are concerned about the environment in which we live it was decided to phase out foam containing CFC's as soon as alternatives were commercially available. All foam now used in our packaging is CFC free, however, this has in no way reduced its antistatic properties.

CORSTAT PRODUCTS ARE AVAILABLE FROM