

SOLID STATE RELAY ASSEMBLIES

- ▶ DIN Rail Mount SSR / Heat Sink Assemblies
- ▶ No Heat Sink Calculations Required
- ▶ Standard Ratings up to 45A @ 660Vac
- ▶ Built-In Transient Protection
- ▶ LED Input Status Indicator
- ▶ With or Without IP20 Touch-Safe Housing
- ▶ AC or DC Inputs
- ▶ 4000Vac Optical Isolation
- ▶ SSR's are UL / CSA / TuV Approved
- ▶ CE Certified & EMC Compliant
- ▶ Custom Versions Available upon Request



Part Numbers

Standard IP00 Housing

Assembly Part Number	Phases	Current Rating (per phase)		Line Voltage	Input Voltage	Typical Input Current
		@25°C	@40°C			
DR4110	Single	16A	14A	48-660Vac	4-32Vdc	10mA
DR4111	Single	16A	14A	48-660Vac	90-250Vac	8mA
DR454120.3	Single	26A	22A	48-660Vac	4-32Vdc	10mA
DR454121.3	Single	26A	22A	48-660Vac	90-250Vac	8mA
DR24120	Two	45A	38A	48-660Vac	4-32Vdc	10mA
DR24121	Two	45A	38A	48-660Vac	90-250Vac	8mA
DR34120	Three	30A	25A	48-660Vac	4-32Vdc	10mA
DR34121	Three	30A	25A	48-660Vac	90-250Vac	8mA

IP20 Touch-Safe Housing

DR7110	Single	16A	14A	48-660Vac	4-32Vdc	10mA
DR7111	Single	16A	14A	48-660Vac	90-250Vac	8mA
DR457120.3	Single	26A	22A	48-660Vac	4-32Vdc	10mA
DR457121.3	Single	26A	22A	48-660Vac	90-250Vac	8mA
DR27120	Two	45A	38A	48-660Vac	4-32Vdc	10mA
DR27121	Two	45A	38A	48-660Vac	90-250Vac	8mA
DR37120	Three	30A	25A	48-660Vac	4-32Vdc	10mA
DR37121	Three	30A	25A	48-660Vac	90-250Vac	8mA

Safety & Noise Immunity Compliance

CE Compliant per the LVD 73/23/EEC
 UL508 / CSA C22.2 no. 14-M91
 TuV EN60950
 EN61000-4-2 - Level 3 (ESD)
 EN61000-4-3 - Level 3 (Radiated EMI)

EN61000-4-4 - Level 3 (EFT)
 EN61000-4-5 - Level 3 (Surge)
 EN61000-4-6 - Level 3 (Conducted EMI)
 CISPR11 - Class A (allowable levels of conducted & radiated emissions)

General Characteristics

Operating Temperature (°C)	-30 to 80
Storage Temperature (°C)	-40 to 100
Input-to-Output Isolation	4000Vrms
Input/Output-to-Ground Isolation	2500Vrms
Input-to-Output Capacitance	8pF (typical)
Operating Frequency	47 to 63Hz
Housing Material	UL94V-0



Products and specifications subject to change without notice

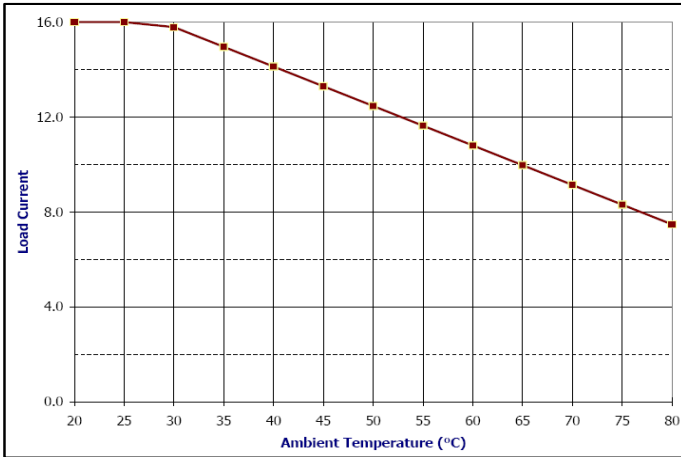
Consult factory for application assistance or custom assembly requests

204 Airline Drive, Suite 300, Coppel, Texas 75019 / Tel: (800) 677-5311 / FAX: (800) 677-3865 / www.crouzet-usa.com

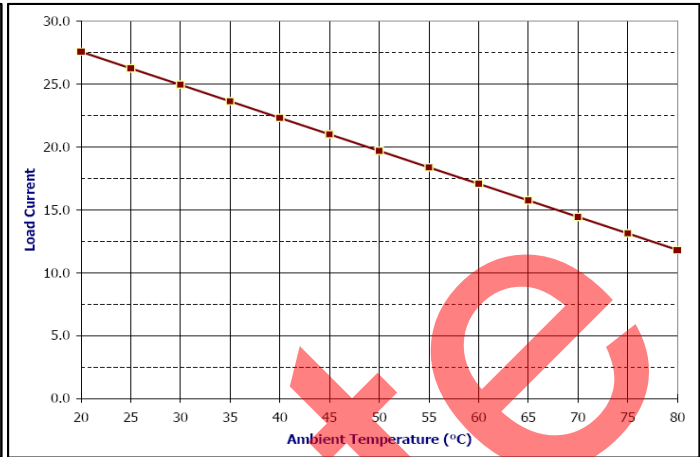
SOLID STATE RELAY ASSEMBLIES

Derate Curves & Dimensions

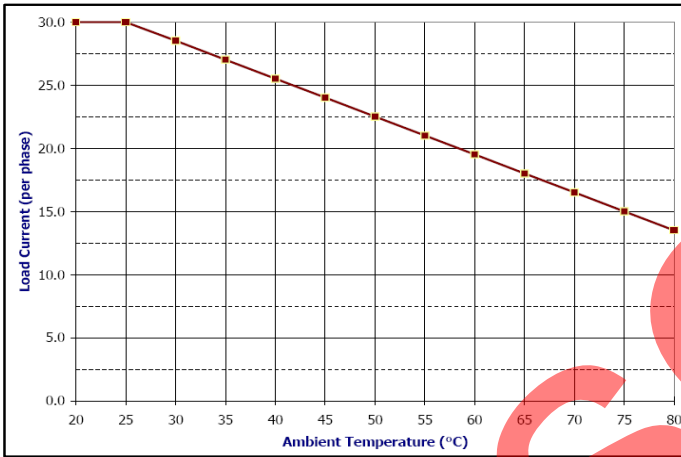
DR4xxx & DR7xxx Series



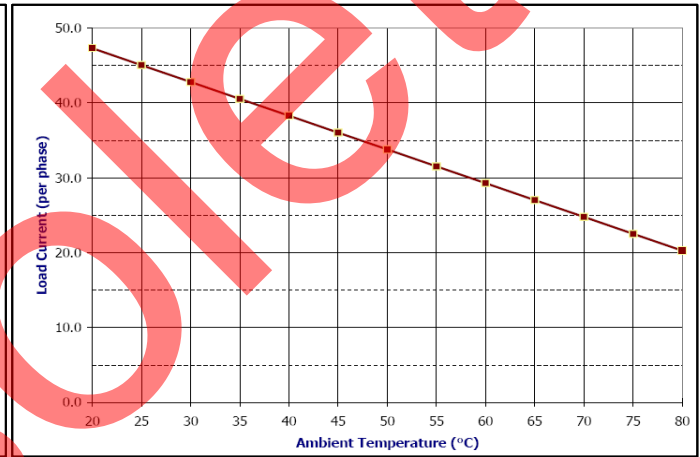
DR454xxx.3 & DR457xxx.3 Series



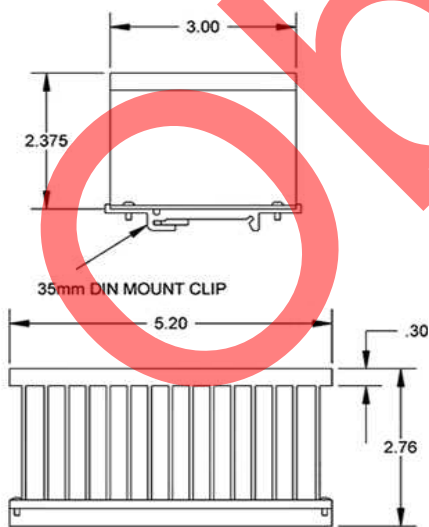
DR34xxx & DR37xxx Series (per phase)



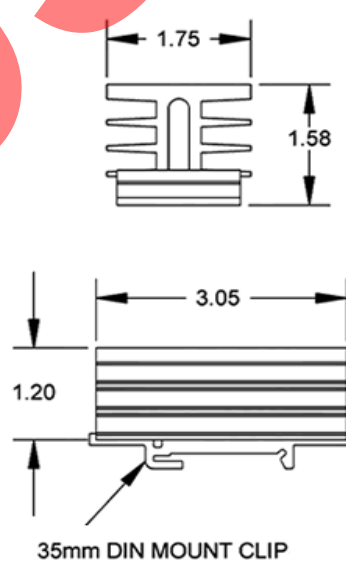
DR24xxx & DR27xxx Series (per phase)



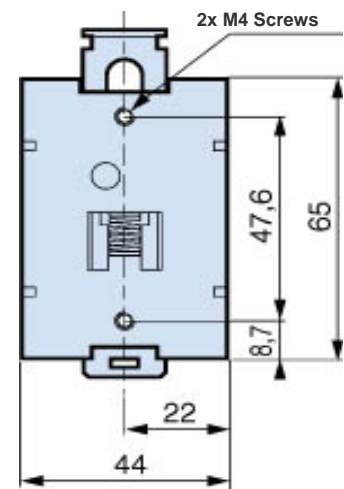
HS13 (DR2 & DR3 Assemblies)



HS8.3 (DR45.3 Assemblies)



Bracket (DR4 & DR7 Assemblies) (millimeters)



Products and specifications subject to change without notice

Consult factory for application assistance or custom assembly requests