



257-005 Connector Receptacle Assembly Stainless Steel Harsh Environment With Printed Circuit Contacts

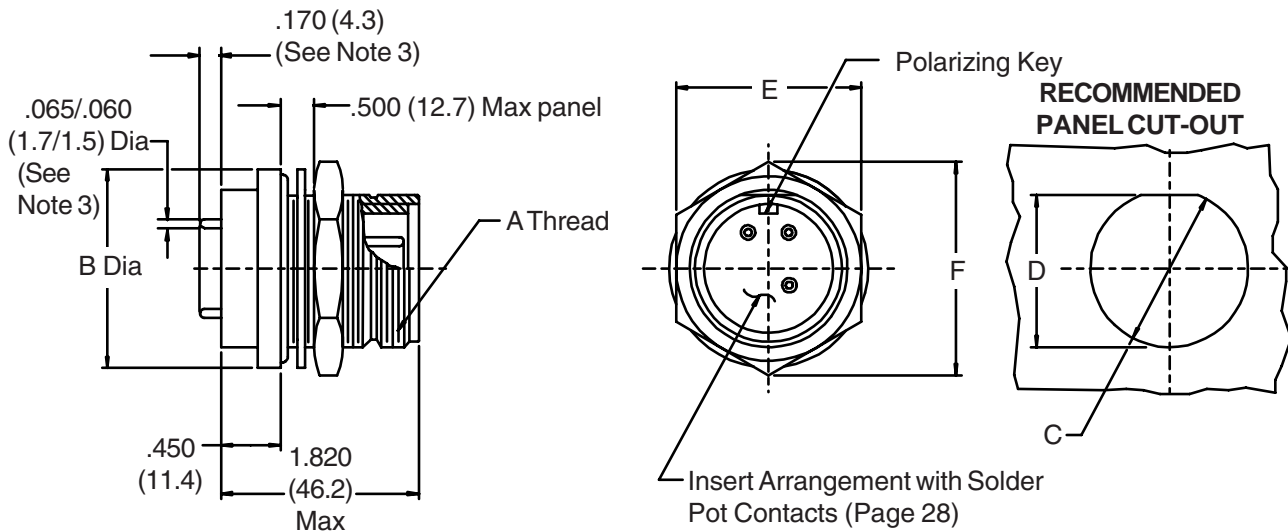
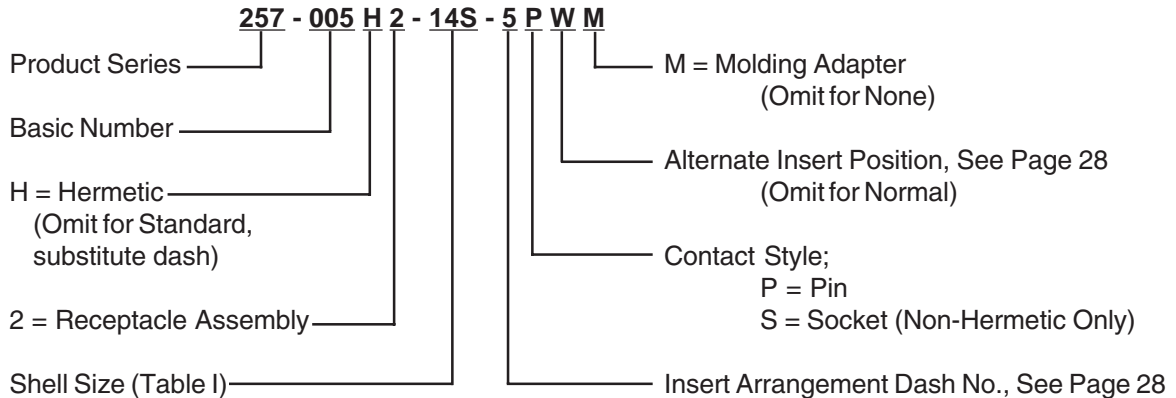


TABLE I

Shell Size	A Thread Class 2A	B Dia Max	C Dia +.010 (0.3) -.000 (0)	D +.010 (0.3) -.000 (0)	E Flats	F Ref
10SL	5/8 - 24 UNEF	1.030 (26.2)	.653 (16.6)	.585 (14.9)	.870 (22.1)	1.000 (25.4)
12	3/4 - 20 UNEF	1.160 (29.5)	.760 (19.3)	.710 (18.0)	.995 (25.3)	1.125 (28.6)
14S	7/8 - 20 UNEF	1.280 (32.5)	.885 (22.5)	.835 (21.2)	1.120 (28.4)	1.250 (31.8)
18	1 1/8 - 18 UNEF	1.660 (42.2)	1.135 (28.8)	1.085 (27.6)	1.495 (38.0)	1.730 (43.9)
20	1 1/4 - 18 UNEF	1.780 (45.2)	1.260 (32.0)	1.210 (30.7)	1.620 (41.1)	1.870 (47.5)
24	1 1/2 - 18 UNEF	2.030 (51.6)	1.510 (38.4)	1.460 (37.1)	1.870 (47.5)	2.165 (55.0)
28	1 3/4 - 18 UNEF	2.280 (57.9)	1.760 (44.7)	1.710 (43.4)	2.120 (53.8)	2.448 (62.2)

1. Metric dimensions (mm) are indicated in parentheses.
2. Electrical safety limits must be established by the user. Peak voltages, switching surges, etc., should be used to determine the safety of the application.
3. Applies to size 16 contacts only. Consult factory for other sizes.