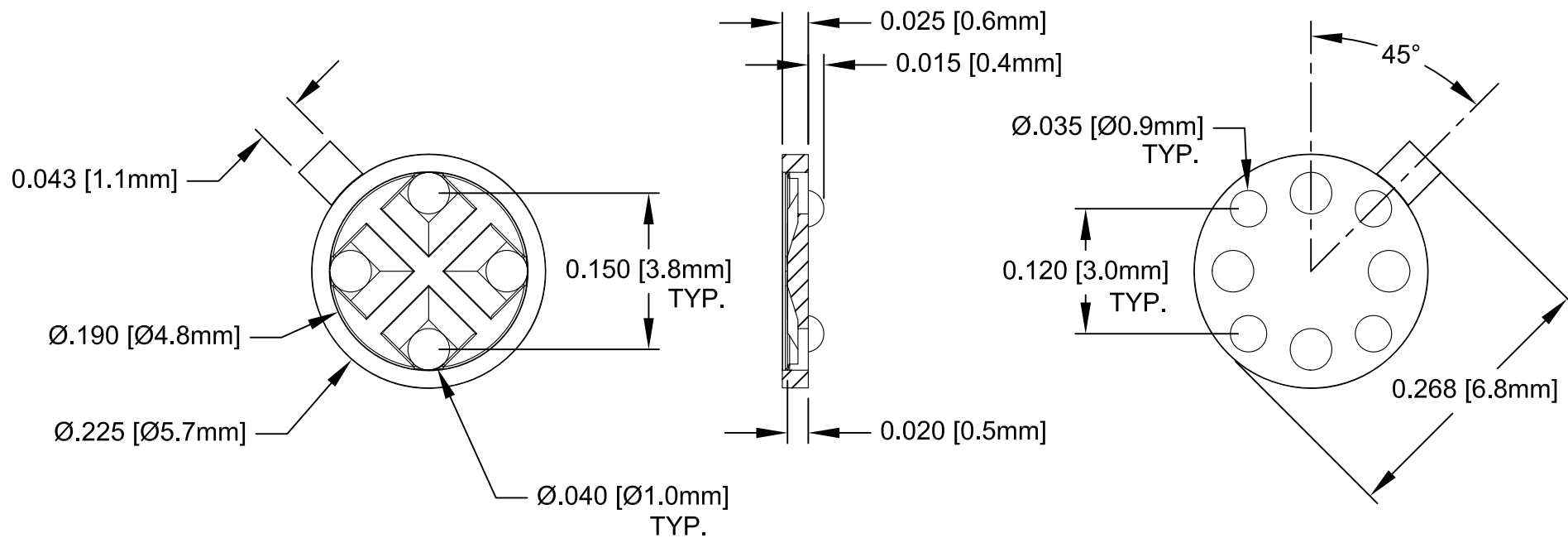




REV.	DESCRIPTION	DATE	APPROVED
A	Engineering Update w/o Changes	02/17/04	M. C.
B	Model Update	11/18/08	T. Y.



2. MATERIAL: NYLON 6/6, 94V-2, NATURAL. BIVAR MATERIAL CODE 21-NL.
 BASF Ultramid 1310-11 NF2001, NYLON 6/6, NATURAL.

1. GENERAL SPECIFICATIONS: BIVAR MOLDED COMPONENT SPECIFICATION BV00-E101.

STANDARD TOLERANCE (UNLESS OTHERWISE SPECIFIED)		 4 THOMAS, IRVINE, CA. 92618 TEL: (949) 951-8808 FAX: (949) 951-3974	
DECIMALS	ANGULAR		
.X ±.1	X° ± 1°	 TITLE: PERM-O-PAD TO-18 MOUNT	
.XX ±.01			
.XXX ±.005			
DESIGNED: Shane Irving	DATE: 06/30/98	PART NO: 211-040	REVISION: B
CHECKED: D. Green	DATE: 02/17/04	CAGE CODE : 32559	SHEET # 1 OF 1

CAD GENERATED DOCUMENT, DO NOT MEASURE DRAWING.