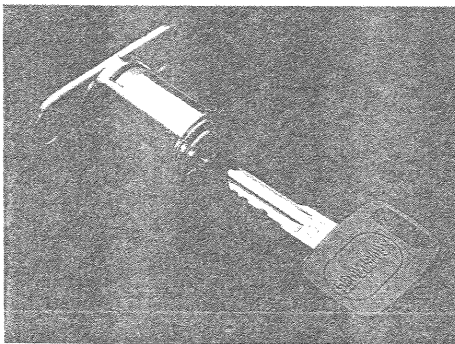
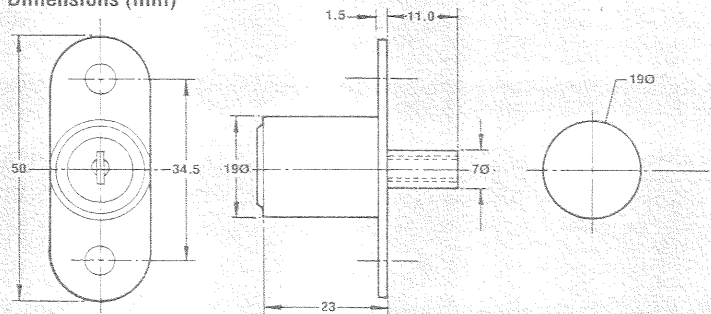


716-6424

PL 506-12



Dimensions (mm)



PL506-12

- Spring return mechanism
- Key not required to lock
- 200 key codes

- Material: Housing - Zinc Alloy Diecast
Cylinder - Zinc Alloy Diecast
Tumblers - Brass
- Mechanism: 5-disc tumbler
- Finish: Key - Single bitting
Housing - Bright Nickel
Cylinder - Bright Nickel
Key - Bright Nickel (with plastic cap)
- Fixing: 2 screw holes (screws not supplied)
- Number of codes: 200
Locks can be supplied either keyed alike or to random codes
Master keying available
- Accessories: None
- Operation: 30° turn
Key removable in one position only

