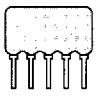


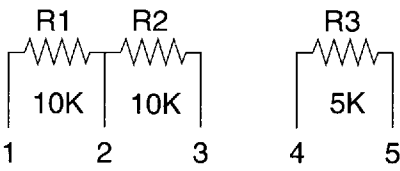
The following additions have been made since the last printing of this catalog. Please keep this sheet with your catalog.

▼ Figure 5A Divider Network 1:1

$R1 = 10K$
 $\frac{R2}{R1} = 1$
 $R3 = \frac{R1 \times R2}{R1 + R2}$



Actual Size



1 2 3 4 5

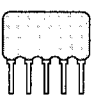
Ordering Information

PN 1087

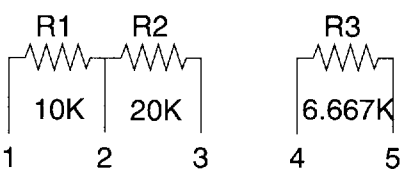
L = 0.520 (13.21), H = 0.280 (7.11) Max.

▼ Figure 5B Divider Network 2:1

$R1 = 10K$
 $\frac{R2}{R1} = 2$
 $R3 = \frac{R1 \times R2}{R1 + R2}$



Actual Size



1 2 3 4 5

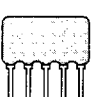
Ordering Information

PN 1088

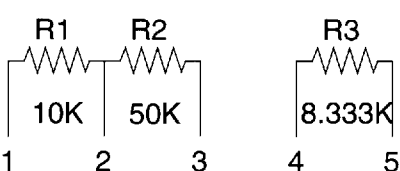
L = 0.520 (13.21), H = 0.280 (7.11) Max.

▼ Figure 5C Divider Network 5:1

$R1 = 10K$
 $\frac{R2}{R1} = 5$
 $R3 = \frac{R1 \times R2}{R1 + R2}$



Actual Size



1 2 3 4 5

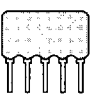
Ordering Information

PN 1089

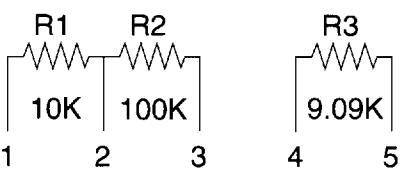
L = 0.520 (13.21), H = 0.280 (7.11) Max.

▼ Figure 5D Divider Network 10:1

$R1 = 10K$
 $\frac{R2}{R1} = 10$
 $R3 = \frac{R1 \times R2}{R1 + R2}$



Actual Size



1 2 3 4 5

Ordering Information

PN 1090

NOTE: R2 TC Tracking 3 ppm/°C
 L = 0.520 (13.21), H = 0.280 (7.11) Max.