

Application

- Amplifiers
- Test Instruments
- Equalizers
- Computers
- Audio mixers
- Medical Electronics
- Communications
- Peripheral Devices

Standard Data

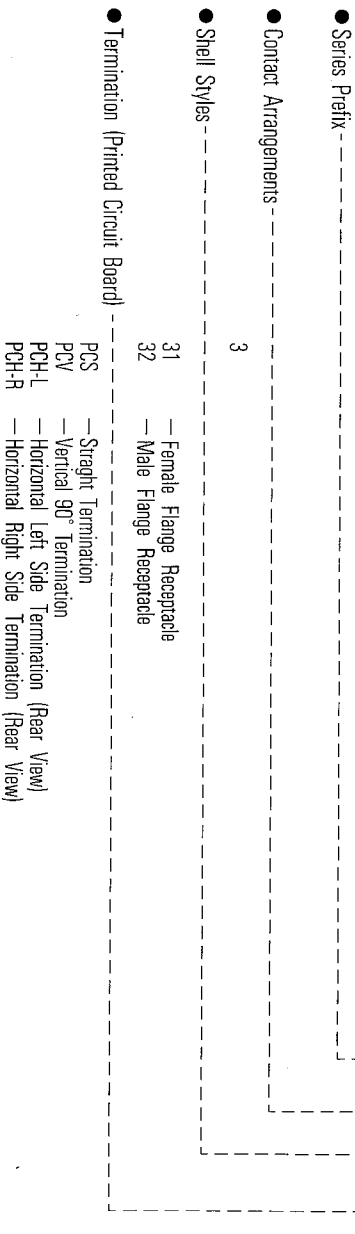
Specifications (Detail p4)

Rated Current	3A
Service Voltage	133VAC
Dielectric Withstanding Voltage	1400VAC
Insulation Resistance	5000Ωmin. at 500VDC
Contact Resistance	PCS : 20mΩMAX PCV : 30mΩMAX PCH : 50mΩMAX

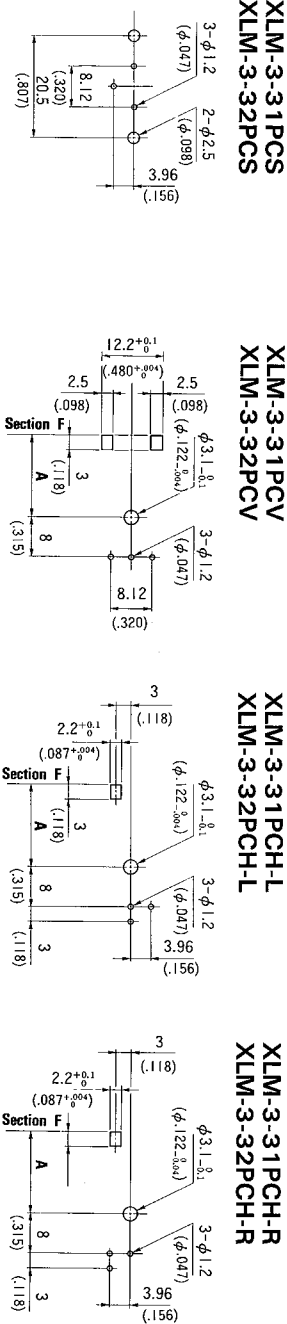
Materials (Finishes)

Contacts	Copper Alloy (silver)
Insulator Socket	PBT Glass-filled
Pin	Nylon
Shell/Barrel	Zinc Alloy (Nickel)

How To Order



P.C. Board Hole Patterns (Ref.)



	A mm(Inch)
XLM-3-31	16.5 (.650)
XLM-3-32	15.5 (.610)

※ Section F refers to position of Flange front face.

ITT Cannon

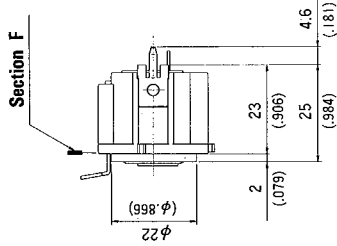
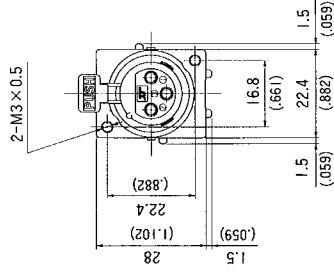
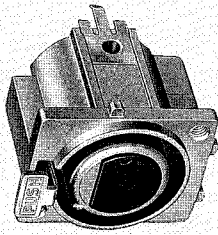
Dimensions are shown in millimeters (inches).
Dimensions subject to change.

XLM-Printed Circuit Board

Female Flange Receptacles

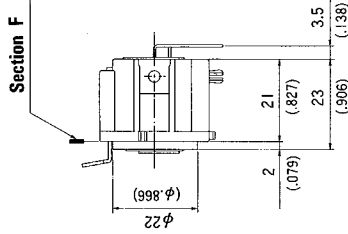
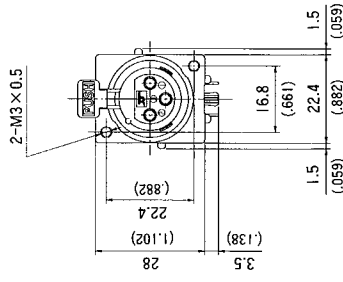
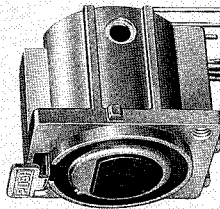
Straight Termination

XLM-3-31PCS



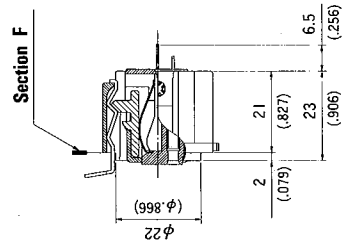
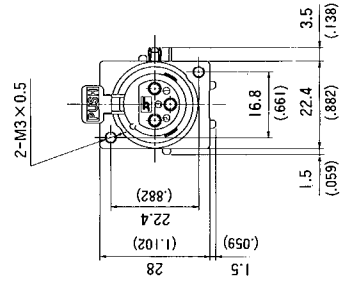
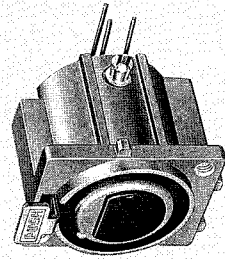
Vertical 90° Termination

XLM-3-31PCV



Horizontal Left Side Termination (Rear View)

XLM-3-31PCH-L



Horizontal Right Side Termination (Rear View)

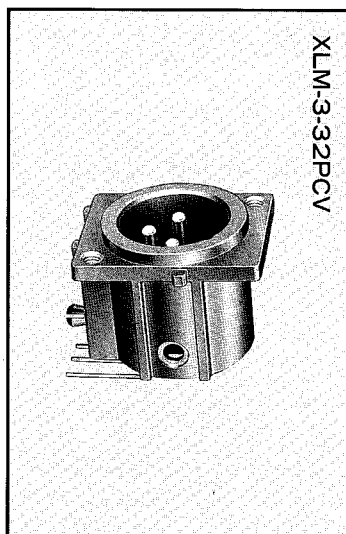
XLM-3-31PCH-R

2-M3 x 0.5

Section F

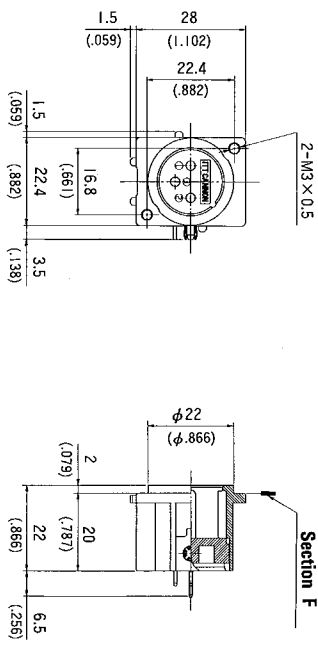
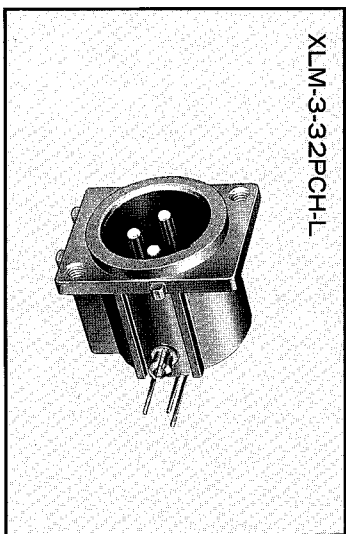
Vertical 90° Termination

XLM-3-32PCV



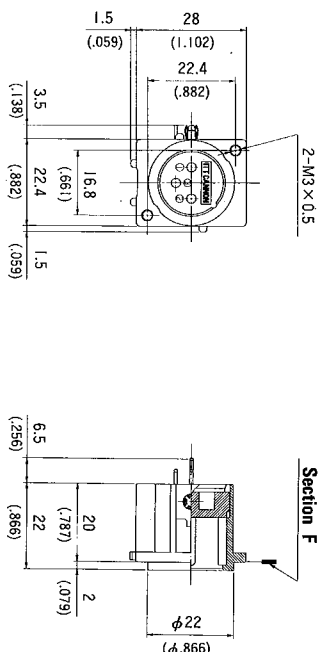
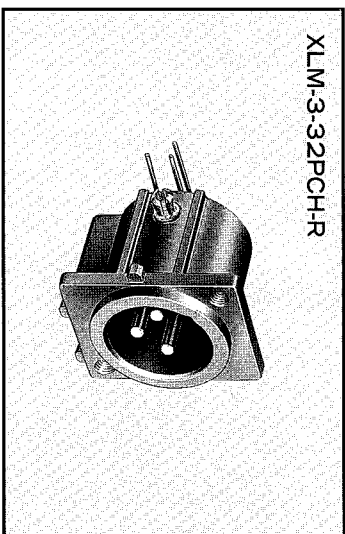
Horizontal Left Side Termination (Rear View)

XLM-3-32PCH-L



Horizontal Right Side Termination (Rear View)

XLM-3-32PCH-R



※ **Section F** refers to position of Flange front face.