



Am79C930EVAL-HW

PCnet-Mobile Evaluation Kit

DISTINCTIVE CHARACTERISTICS

- Evaluation card for the Am79C930 single chip Wireless LAN media access controller (MAC). Allows evaluation of MAC device registers and PHY layer development.
- PCnet-Mobile LAN card with on-board PCMCIA and 10Base-2 connections. (No RF radio components included.)
- Implements a Wireless LAN MAC subsystem using the IEEE 802.11 (draft) standard or Xircom Netwave™ MAC protocol.
- Includes evaluation board, software driver diskettes, and supporting documentation.

GENERAL DESCRIPTION

The PCnet-Mobile evaluation kit is a vehicle for evaluation of the Am79C930 single chip Wireless LAN media access controller (MAC). The board is designed to connect to a PCMCIA bus and support the IEEE 802.11 (draft) standard and the Xircom Netwave MAC protocols. The board has a connection to coax cable to allow for serial output monitoring and contains a generic Transceiver Attachment Interface (TAI) interface for PHY development. The TAI interface signals connect to a female PCMCIA type connector for small form factor PHY development.

The Am79C930 evaluation kit contains diagnostic software, which allows the user to access the device registers. Scripts are provided in the software to exercise and evaluate PCnet-Mobile functionality. In addition, Netwave protocol firmware is supplied to allow programming of the PCnet-Mobile device with a proven MAC protocol.

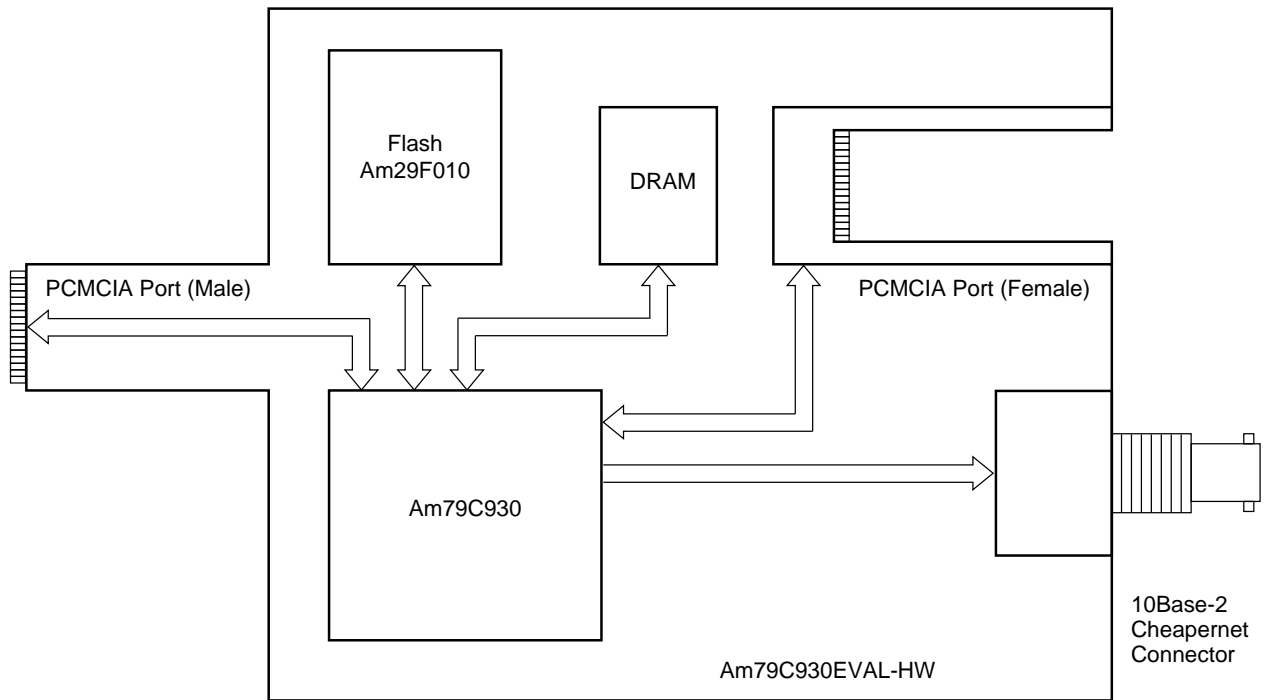
The included installation program can be used with two evaluation kits connected together with a coax cable to create a demonstration platform. The automated installation program works with both DOS and Windows. Drivers include NDIS and ODI which are provided for use with Microsoft Windows for Workgroups and Novell Personal Netware network operating systems.

Am79C930 EVALUATION KIT CONTENTS

- Am79C930EVAL-HW Evaluation Board
- Four 3.5" diskettes with diagnostic software executables, example scripts, installation utilities, and NDIS 2 and ODI network drivers
- Am79C930 Data Sheet (PID# 20183A)
- PCnet-Mobile Evaluation Kit Data Sheet (PID# 20946A)
- TBUG/FBUG diagnostic software documentation and Evaluation Kit setup procedures
- PCnet-Mobile Evaluation Kit schematics
- PCnet-Mobile Solutions Brochure (PID# 20192A)
- PCnet-Mobile News Release
- PCnet-Mobile Software Manual

The AMD ordering part number for this evaluation kit is AM79C930EVAL-HW.

BLOCK DIAGRAM



20946A-1

Trademarks

Copyright © 1998 Advanced Micro Devices, Inc. All rights reserved.

AMD, the AMD logo, and combinations thereof are trademarks of Advanced Micro Devices, Inc.

Am186, Am386, Am486, Am29000, bIMR, eIMR, eIMR+, GigaPHY, HIMIB, ILACC, IMR, IMR+, IMR2, ISA-HUB, MACE, Magic Packet, PCnet, PCnet-FAST, PCnet-FAST+, PCnet-Mobile, QFEX, QFEXr, QuASI, QuEST, QuIET, TAXIchip, TPEX, and TPEX Plus are trademarks of Advanced Micro Devices, Inc.

Microsoft is a registered trademark of Microsoft Corporation.

Product names used in this publication are for identification purposes only and may be trademarks of their respective companies.