

PLEASE CHECK WWW.MOLEX.COM FOR LATEST PART INFORMATION

Part Number: [0015244048](#)
Status: **Active**
Overview: [disk drive power connector](#)
Description: 5.08mm (.200") Pitch Disk Drive Power Connection System, Female Crimp Housing

Documents:

[3D Model](#) [Product Specification PS-8981-4M*/4P* \(PDF\)](#)
[Drawing \(PDF\)](#) [RoHS Certificate of Compliance \(PDF\)](#)

Agency Certification

CSA	LR19980
TUV	R9551091
UL	E29179

General

Product Family	Crimp Housings
Series	8981
MolexKits	Yes
Overview	disk drive power connector
Product Name	Disk Drive Power

Physical

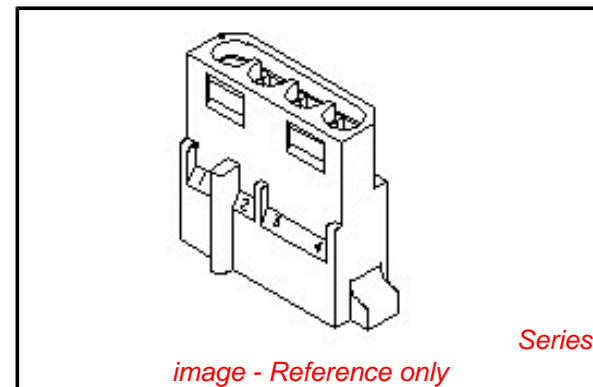
Circuits (maximum)	4
Color - Resin	Natural
Flammability	94V-2
Gender	Female
Glow-Wire Compliant	No
Material - Resin	Nylon
Number of Rows	1
Packaging Type	Bag
Panel Mount	No
Pitch - Mating Interface (in)	0.200 In
Pitch - Mating Interface (mm)	5.08 mm
Temperature Range - Operating	-10°C to +85°C

Material Info

Old Part Number	8981-4P
-----------------	---------

Reference - Drawing Numbers

Product Specification	PS-8981-4M*/4P*, RPS-8980-002
Sales Drawing	SD-8981-4P



EU RoHS

**ELV and RoHS
Compliant**
**REACH SVHC
Contains SVHC: No**
**Halogen-Free
Status**

China RoHS



**Need more information on product
environmental compliance?**

Email productcompliance@molex.com
 For a multiple part number RoHS Certificate of
 Compliance, [click here](#)

Please visit the [Contact Us](#) section for any
 non-product compliance questions.

Search Parts in this Series

[8981Series](#)

Mates With

[8981](#) Disk Drive Power Connection System

Use With

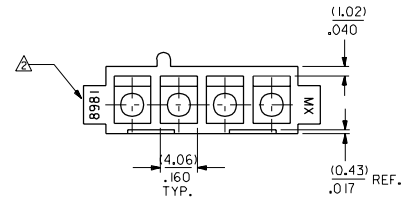
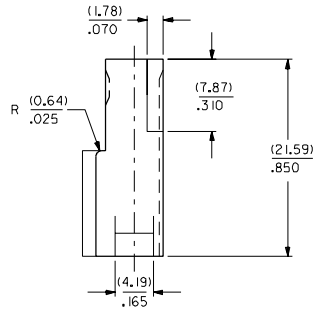
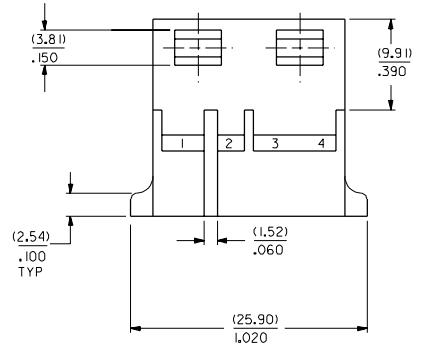
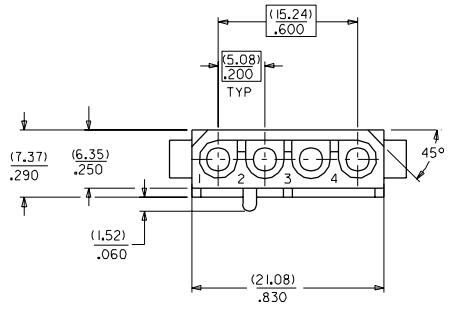
[8980p](#)

DO NOT SCALE DRAWING

EDP NO: 15-24-4048

CAD FILE
S89814P.DGN

DWG. NO.
SD 8981-4P



NOTE:
I THIS HOUSING IS FOR USE WITH TERMINAL NO: 8980-3*

(MM)
INCH

				MATERIAL : NYLON 6/6, 94V-2, COLOR : NATURAL		MOLEX SINGAPORE PTE LTD SHEET 1 OF 1	
				FINISH :			
B	UPDATE ON CAD PER ECO*	S0110	TAY AT	151287	DWG. NO.: SD 18981-4P		TITLE : HSG, 4 CKT RECEPTACLE (2.13)/.084 DIA
A	ADD EDP NO PER ECO*	19933	JDK AB	310185			
2	X-REL PER ECO*	16043	JDK AB	211085			
1	X-REL PER ECO*	15738	JDK AB	010982			
LTR	REVISION RECORD	ECN	DR	CHK	DATE	DRAWN BY JDK 850131	CHK'D BY TAY 850131
REVISE ONLY ON CAD SYSTEM						APPR'D BY AB 850131	SCALE 2 : 1