



液晶之友 电话: 020-33819057  
Http://www.lcdfriends.com

# DISPLAY WG320240C

## General Specification

ITEM	STANDARD VALUE	UNIT
Number of dots	320x240	dots
Outline dimension	154.79(W)x 120.24(H)x 15.6max(T)	mm
View area	120.14(W)x 92.14(H)	mm
Active area	115.18(W)x 86.38(H)	mm
Dot size	0.36(W)x 0.36(H)	mm
Dot pitch	0.34(W)x 0.34(H)	mm

## Electrical Characteristics

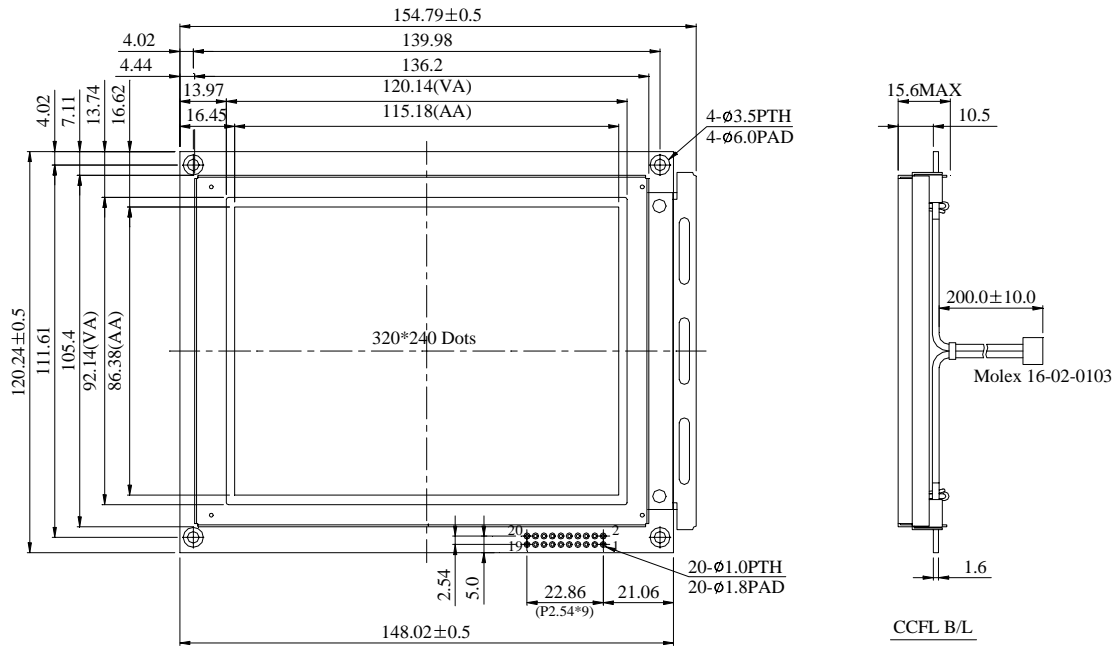
ITEM	SYMBOL	CONDITION	MIN.	TYP.	MAX.	UNIT
Logic Voltage	$V_{DD}-V_{SS}$			5.0	5.5	V
Supply Voltage For LCD	$V_{EE}-V_{SS}$	Ta=0		25.0		V
		Ta=25		25.5		V
		Ta=+50		26.0		V
Input High Volt.	$V_{IH}$		$0.8V_{DD}$		$V_{DD}$	V
Input Low Volt.	$V_{IL}$		0		$0.2V_{DD}$	V
Output High Volt.	$V_{OH}$		$V_{DD}-0.4$			V
Output Low Volt.	$V_{OL}$				0.4	V
Supply Current	$I_{DD}$				20.0	mA
	$I_{EE}$				5.0	mA



Via Damiano Chiesa 22/24 20059 Vimercate -MI- Tel +39 039.666.718 Fax +39 039.691.8209

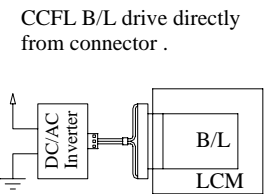
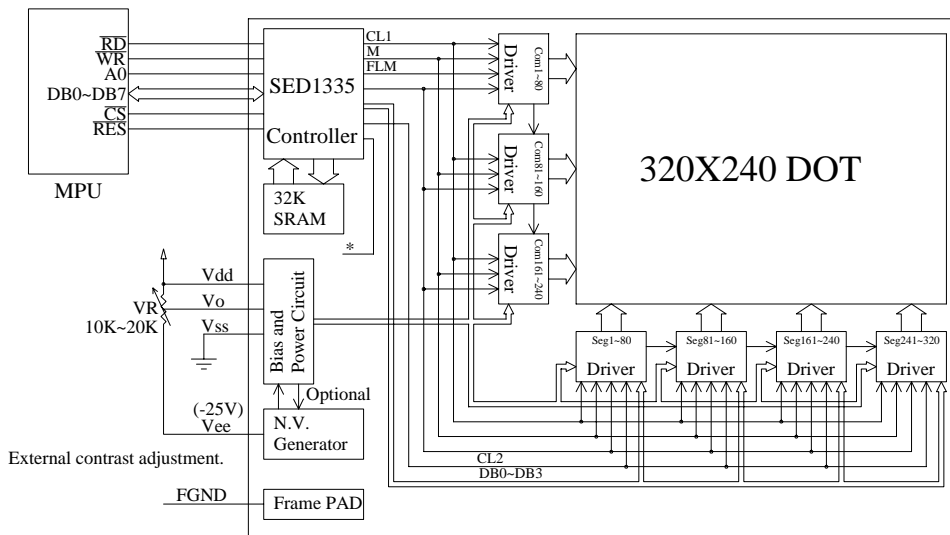
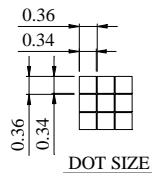
[www.skylab.it](http://www.skylab.it) Italian Customer: [skylab@skylab.it](mailto:skylab@skylab.it) International Customer: [euro.skylab@skylab.it](mailto:euro.skylab@skylab.it)

# Contour Drawing & Block Diagram



PIN NO.	SYMBOL
1	Vss
2	Vdd
3	Vo
4	RD
5	WR
6	A0
7	DB0
8	DB1
9	DB2
10	DB3
11	DB4
12	DB5
13	DB6
14	DB7
15	CS
16	RES
17	Vee
18	FGND
19	NC
20	NC

The non-specified tolerance of dimension is ±0.3mm.



CCFL B/L drive directly from connector .

\*:6800 family or 8080family interface selectable.