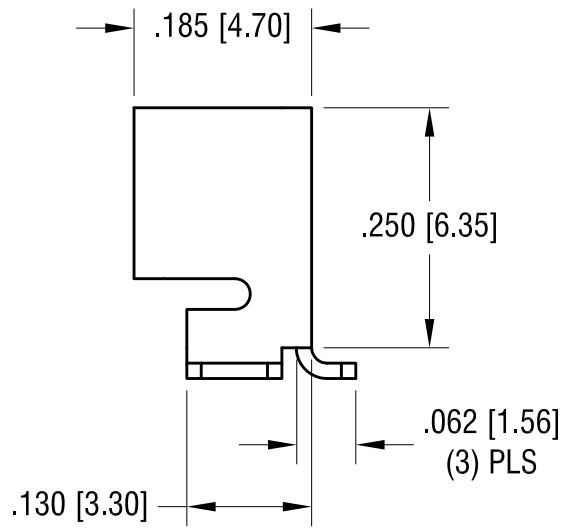
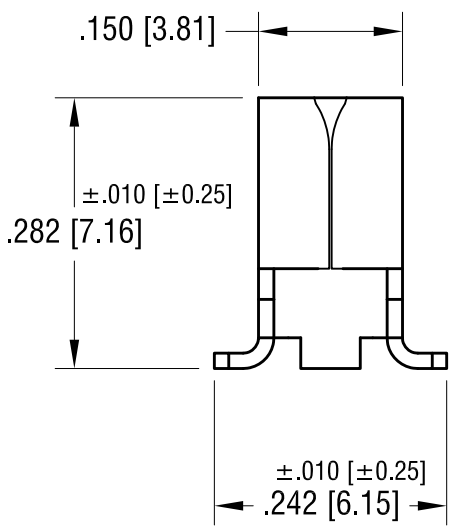
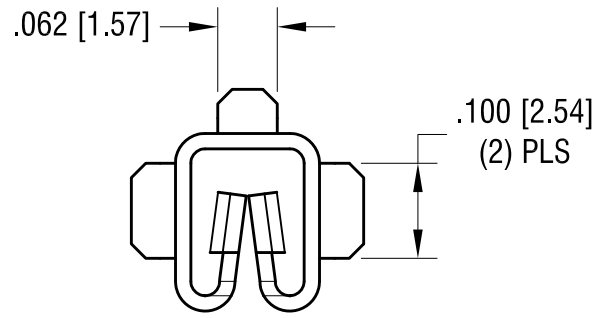
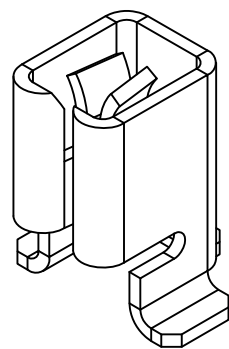
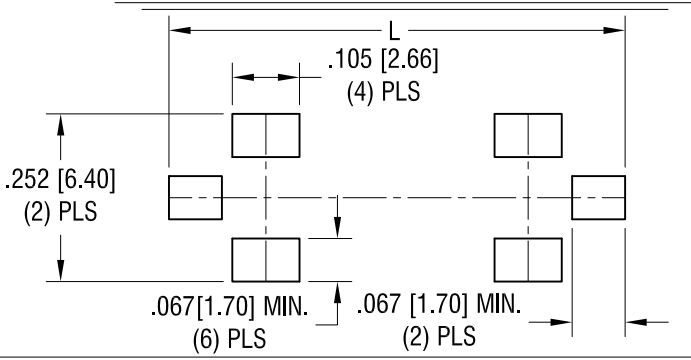


THIS DOCUMENT IS THE PROPERTY OF KEYSTONE ELECTRONICS CORP. AND SHALL NOT BE REPRODUCED, DISTRIBUTED OR USED AS A BASIS FOR MANUFACTURE WITHOUT PRIOR WRITTEN PERMISSION FROM KEYSTONE ELECTRONICS CORP.

MOUNTING LAYOUT FOR TWO CLIPS  
 L = .562 [14.27] FOR MINI FUSES  
 L = .750 [19.04] FOR STANDARD AND LOW PROFILE FUSES



|          |                          |      |
|----------|--------------------------|------|
| 1.18.10  | CHANGE AS PER ECN 10-004 | B    |
| 10.06.09 | CHANGE AS PER ECN 09-142 | A    |
| DATE     | DESCRIPTION              | REV. |

|   |                              |              |                        |
|---|------------------------------|--------------|------------------------|
| <b>KEYSTONE ELECTRONICS CORP.</b>                                   |                              |              |                        |
| www.keyelco.com • ASTORIA, N.Y. 11105-2017 • Tel (718) 956-8900     |                              |              |                        |
| PART NAME<br>SM UNIVERSAL AUTO FUSE CLIP                            |                              |              |                        |
| MATERIAL<br>.016 [0.40] TH'K BRASS                                  |                              |              |                        |
| FINISH<br>TIN NICKEL PLATE  |                              | DRN BY<br>NT | DATE<br>5.06.09        |
|   |                              | APP'D<br>LN  | SCALE<br>5X            |
| TOLERANCES<br>DECIMAL<br>ANGULAR ± 1°<br>UNLESS OTHERWISE SPECIFIED | INCH [MM]<br>± .005 [± 0.13] | CODE<br>C    | DWG NO.<br><b>3586</b> |