

OKI Electronic Components**FEDFOAT1509-01**

Issue Date: Jan. 15, 2002

OAT1509-LV-CB/LB**Optical Service Channel Transceiver****APPLICATION**

- DWDM Optical Service Channel Transmitter operated by T1 1.544Mbps

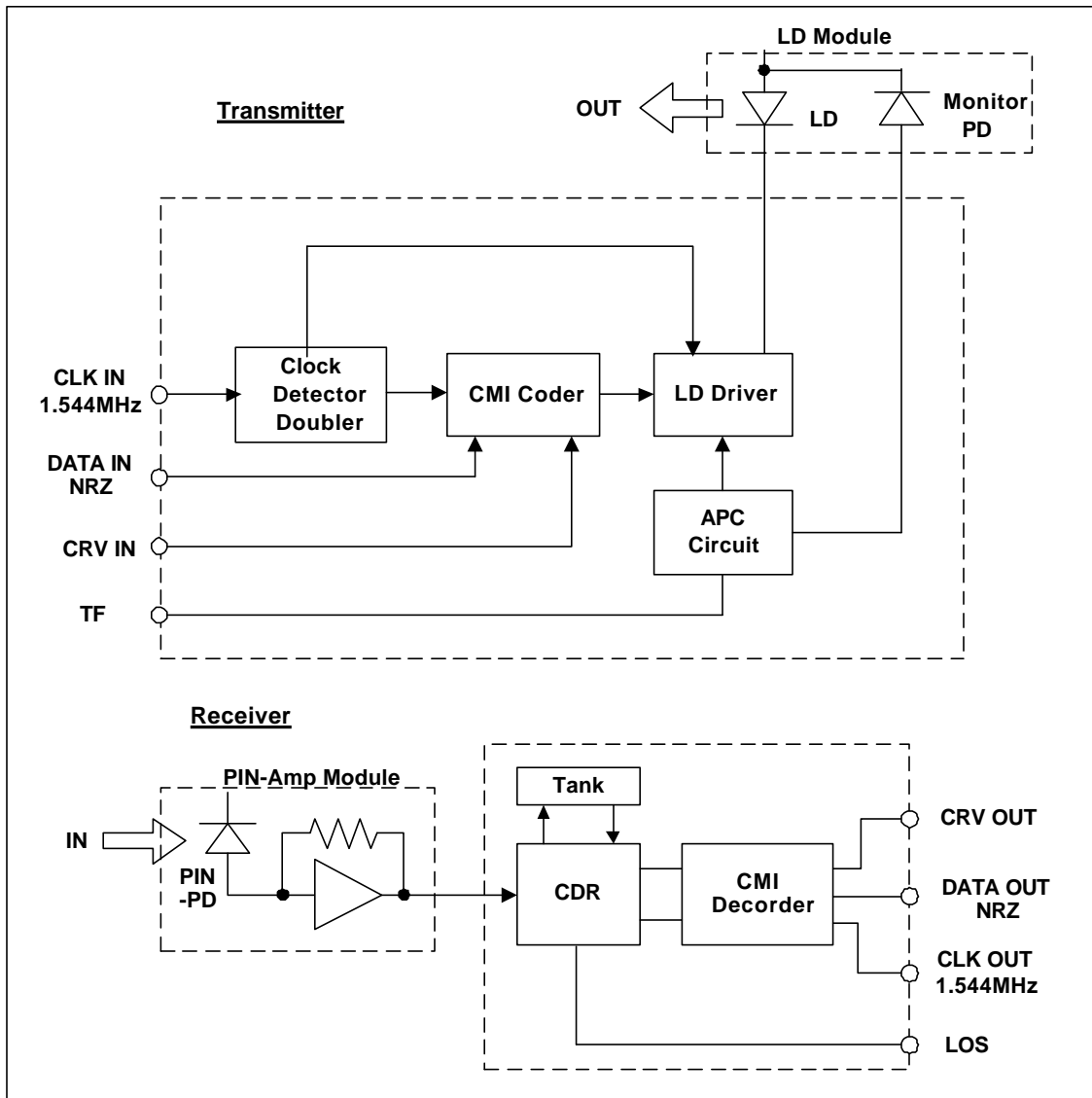
FEATURES

- Integrated NRZ to/from CMI code/Decode functions
- TTL compatible interface
- Operation at 1.51 μ m/1.625 μ m wavelength(C-band / L-Band) by Uncooled DFB-LD
- High output power > 0dBm and High sensitivity < -44dBm for Long haul transmission
- Integrated CDR function
- +3.3V single power supply and Low power consumption 0.6W

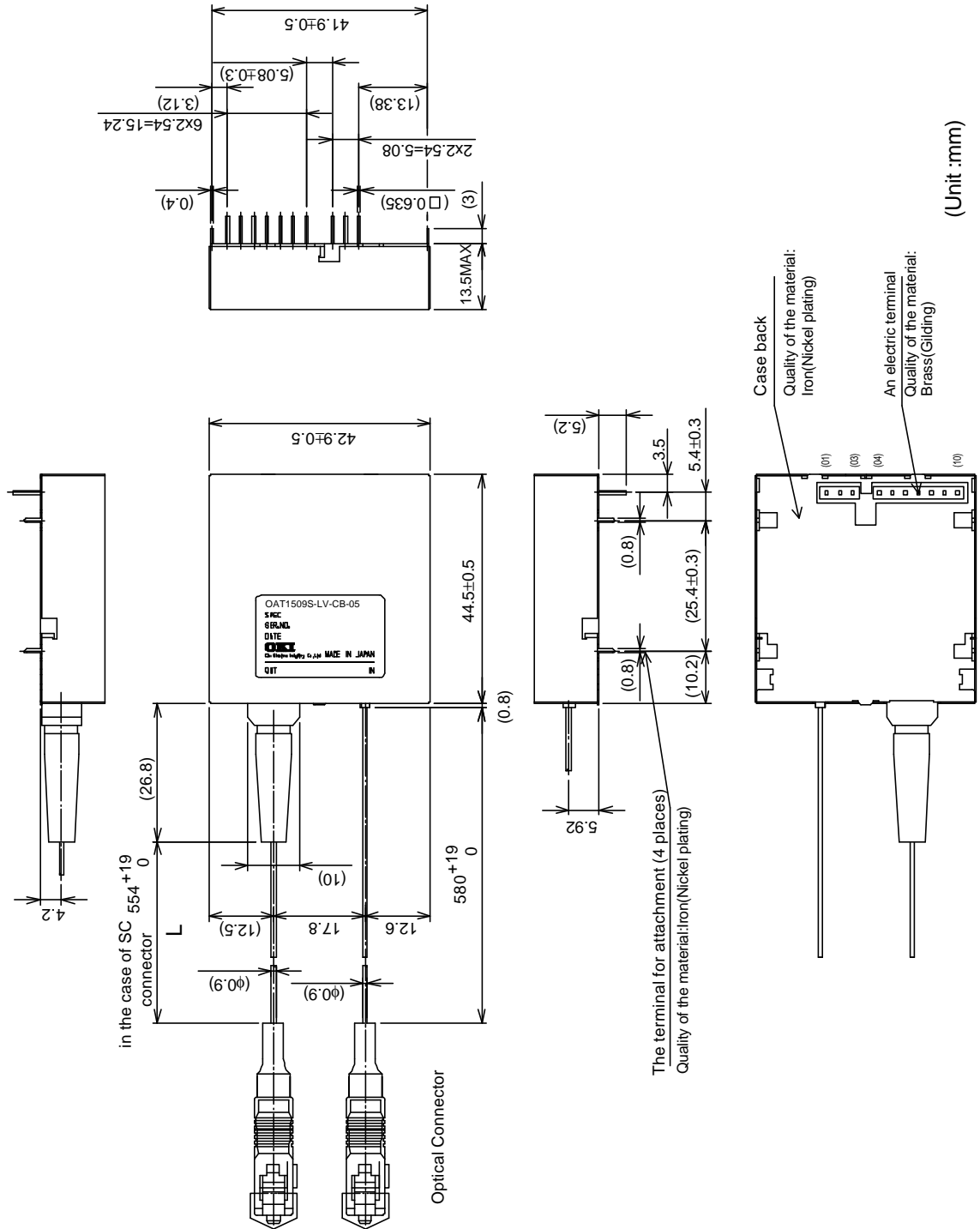
SPECIFICATION

Parameter	Unit	OAT1509-LV-CB	OAT1509-LV-LB
Type		C-band	L-band
Bit rate	Mbps	1.544	
Line code	-	CMI	
Operating wavelength	nm	1510 \pm 7	1625 \pm 7
Mean launched power range	dBm	-3 to +3	
Minimum extinction ratio	dB	\geq 13	
Received optical power [BER = 10 ⁻⁸]	dBm	-44 to -8	
Power consumption	W	0.6 (Typ.)	
Laser diode		1.510 μ m DFB-LD	1.625 μ m DFB-LD
Fiber type		Single mode fiber	
Power supply voltage	V	+3.3 \pm 5%	
Operating temperature	$^{\circ}$ C	0 to 60	
Dimension	mm	42.9 x44.5 x 13.5	

BLOCK DIAGRAM



PACKAGE OUTLINE



PIN DESCRIPTIONS

No.	Symbol	Functionality
01	GND	Ground
02	Vcc	Power supply (Vcc = +3.3 V)
03	LOS	Los of incoming signal <LVTTTL> A logic high on LOS indicates the absence of a signal
04	CLK OUT	Negative clock output <LVTTTL>
05	DATA OUT	Positive NZR data output <LVTTTL>
06	CRV OUT	Code Rule Violation output <LVTTTL>
07	TF	Transmit fail alarm output <LVTTTL>
08	CLK IN	Positive clock input <LVTTTL>
09	DATA IN	Positive NRZ data input <LVTTTL>
10	CVR IN	Code Rule Violation signal input <LVTTTL>

NOTICE

1. The information contained herein can change without notice owing to product and/or technical improvements. Before using the product, please make sure that the information being referred to is up-to-date.
2. The outline of action and examples for application circuits described herein have been chosen as an explanation for the standard action and performance of the product. When planning to use the product, please ensure that the external conditions are reflected in the actual circuit, assembly, and program designs.
3. When designing your product, please use our product below the specified maximum ratings and within the specified operating ranges including, but not limited to, operating voltage, power dissipation, and operating temperature.
4. Oki assumes no responsibility or liability whatsoever for any failure or unusual or unexpected operation resulting from misuse, neglect, improper installation, repair, alteration or accident, improper handling, or unusual physical or electrical stress including, but not limited to, exposure to parameters beyond the specified maximum ratings or operation outside the specified operating range.
5. Neither indemnity against nor license of a third party's industrial and intellectual property right, etc. is granted by us in connection with the use of the product and/or the information and drawings contained herein. No responsibility is assumed by us for any infringement of a third party's right which may result from the use thereof.
6. The products listed in this document are intended for use in general electronics equipment for commercial applications (e.g., office automation, communication equipment, measurement equipment, consumer electronics, etc.). These products are not authorized for use in any system or application that requires special or enhanced quality and reliability characteristics nor in any system or application where the failure of such system or application may result in the loss or damage of property, or death or injury to humans. Such applications include, but are not limited to, traffic and automotive equipment, safety devices, aerospace equipment, nuclear power control, medical equipment, and life-support systems.
7. Certain products in this document may need government approval before they can be exported to particular countries. The purchaser assumes the responsibility of determining the legality of export of these products and will take appropriate and necessary steps at their own expense for these.
8. No part of the contents contained herein may be reprinted or reproduced without our prior permission.
9. **Qualification and Reliability**
To help ensure high product reliability and customer satisfaction, OKI is committed to an intensive quality program that starts in the design phase and proceeds through the manufacturing process. Optical transceiver modules are qualified to OKI internal standards using MIL-STD-883 test methods and procedures and using sample techniques consistent with Telcordia requirements. This qualification program fully meets the intent of Telcordia reliability practices GR-468-CORE.
10. **Laser Safety**
All version of transceiver are Class 1 Laser products FDA complies with 21 CFR 1040.10 and 1040.11 requirements.
Also, all versions are Class 1 Laser products pre IEC 825-1.