

## Thermopile with integrated signal processing circuit

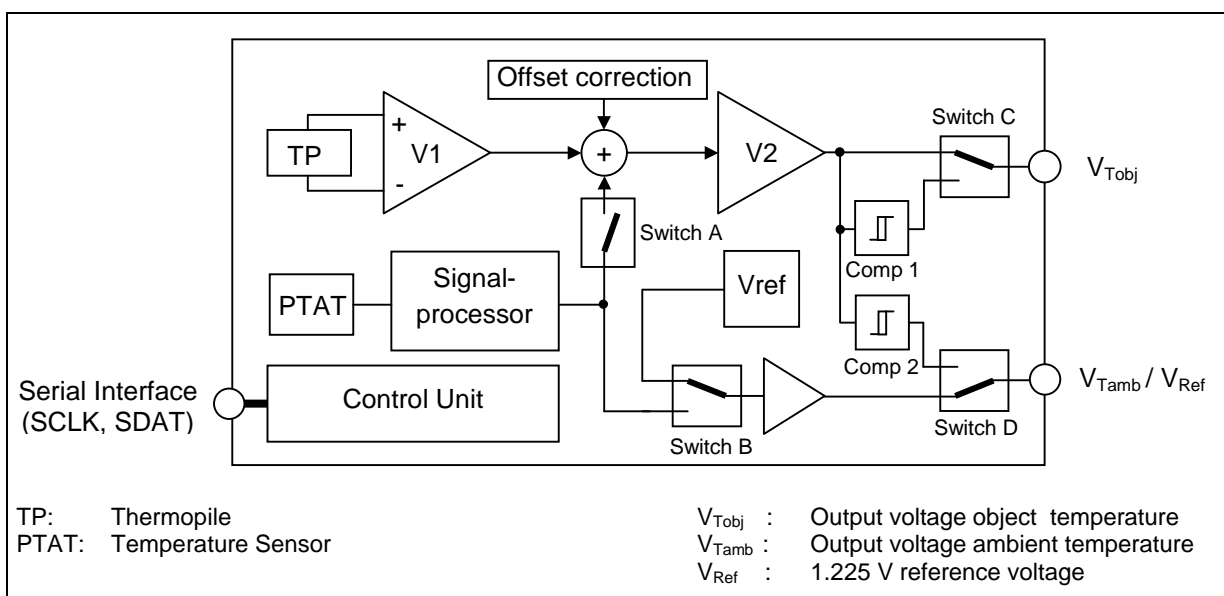
### FEATURES

- Smart thermopile sensor with integrated signal processing.
- Can be adapted to your specific measurement task.
- Integrated, calibrated ambient temperature sensor.
- Output signal ambient temperature compensated.
- Fast reaction time.
- Different optics and IR filters available.
- Digital serial interface for calibration and adjustment purposes.
- Analog frontend/backend, digital signal processing.
- E<sup>2</sup>PROM for configuration and data storage.
- Configurable comparator with high/low signal for remote temperature threshold control.
- TO 39 6 pin housing.

### APPLICATIONS

- Miniature remote non contact temperature measurement (pyrometer).
- Temperature dependent switch for alarm or thermostatic applications
- Residential, commercial, automotive, and industrial climate control.
- Household appliances featuring a remote temperature control like microwave oven, toaster, hair dryer.
- Temperature control in laser printers and copiers.
- Automotive climate control.

### FUNCTIONAL DIAGRAM



## **DESCRIPTION**

The PerkinElmer A2TPMI is a versatile infrared thermopile sensor with an integrated configurable ASIC for signal processing and ambient temperature compensation. This integrated infrared module senses the thermal radiation emitted by objects and converts this to an analog voltage.

The A2TPMI can be delivered fully factory calibrated and adapted to the customer specification, as well as customer programmable via the serial interface. In the pre-calibrated version, only three pins are necessary for operation: object output voltage, 5V supply voltage, and ground.

As described in this specification, the temperature accuracy of the fully adjustable integrated circuit outperforms that of the previous PerkinElmer thermopile modules with discrete components on pcb, because the A2TPMI features an offset correction of the amplifier and a factory calibrated ambient temperature sensor. This makes the A2TPMI a versatile, compact and high precision device.

Due to the internal digital signal processing and 8 bit resolution of the internal control registers the A2TPMI has improved accuracy for adjustment and improved performance. E<sup>2</sup>PROM technology allows unlimited changing of the configuration.

For amplification of the highly sensitive thermopile signal in the micro- to millivolt range, a high resolution programmable low noise chopper amplifier is provided. An adjustable high precision ambient temperature sensor followed by a signal processor, offers an accurate compensation signal with polynomial characteristics that perfectly matches to that of the thermopiles output. Adding of these signals results in an ambient independent object temperature signal over a large temperature range, which still can be adapted / scaled to customer needs due to flexible offset and postgain adjustment facilities of the device.

The two configurable comparators of the A2TPMI, that can alternatively be used, enhance the functionality. This allows to employ the A2TPMI as an temperature dependent switch for alarm purposes. Threshold temperatures and the hysteresis is free programmable for both comparators.

Due to integration of sensor and electronic in a compact TO 39 housing, the A2TPMI is robust and insensitive to environmental influences like pcb contamination (leakage currents), humidity and electromagnetic interference.



**Examples:**

- A2TPMI 334-L5.5 OAA 100 and A2TPMI 334-L5.5 OAA 300  
are standard configurations of the PerkinElmer TPS 334 sensor with integrated A2TPMI ASIC and lens optics with 7° field of view adapted to an object temperature range -20...+100°C and -20...300°C, respectively.
- A2TPMI 334 OAA 140 P1L1 MLG12 J4T  
features the PerkinElmer TPS 334 sensor with integrated A2TPMI ASIC on a standard pcb (P1). An RC circuit serves as a low pass filter to block the chopper frequency. The optics is the standard left looking mirror with attached protection filter. A 4 pin JST connector with top entry is used. The object temperature range is set to -20...100°C. Typical module for microwave oven application.)
- A2TPMI 334 OAA 60  
features the PerkinElmer TPS 334 sensor with integrated A2TPMI ASIC. No additional optics – the sensor looks with full field of view into the surrounding. The temperature range is -10...60°C. (This is a typical module for air conditioner application.)
- A2TPMI 334 L5.5 OAA 250 P3L2 J6S  
features the PerkinElmer TPS 334-L5.5 sensor with integrated A2TPMI ASIC and build-in 5.5 mm lens on a miniature pcb. It has an additional 2<sup>nd</sup> order low pass filter with operation amplifier to block the chopper frequency. The connector is a 6 pin side entry connector and the temperature range is -20...250°C. This is a high performance module for industrial applications. The 6 pin connector gives access to the serial interface of the module.
- For data visualization and for configuration changes a versatile application kit with PC software is available. Please ask for details.

**Labeling**

**Sensor:**

SSSS Last four digits of the device part number  
 XXX X = Last digit of the calendar year, YY = Week of the calendar year  
 HHH Serial number of the production lot  
 AA Calibration encoding

Example:



**PCB Version:**

Sensors assembled on a PCB are labeled with a sticker having a letter and a serial number printed on. The letter describes the manufacturing site as follows:

H Production parts made in Germany  
 B Production parts made in Indonesia  
 E Engineering samples

## Absolute Maximum ratings

Parameter	Min	MAX
Supply Voltage VDD	-0.3 V	+6.5 V
Storage Temperature Range (Note 1)	-40 °C	100°C
Operating Temperature Range	-25°C	100°C
Voltage at all inputs and outputs (Note 1)	-0.3 V	VDD +0.3 V
Current at input pins (Note 2)		+/- 5mA
Lead temperature (Soldering, 10sec)		+300°C
ESD Tolerance (Note 3)		2.5 kV

**Note 1:** Extension to 120°C for limited periods of several minutes possible

**Note 2:** Limiting input pin current is only necessary for input voltages that exceed absolute maximum input voltage ratings

**Note 3:** Human body model, 1.5kΩ in series with 100pF. All pins rated per method 3015.7 of MIL-STD-883.

Static-sensitive device. Unused devices must be stored in conductive material. Protect devices from static discharge and static fields. Stresses above those listed under "Absolute maximum ratings" may cause permanent damage to the device. Exposure to absolute maximum rating conditions for extended periods may affect device reliability. Precautions should be taken to avoid reverse polarity of power supply. Reversed polarity of power supply results in a destroyed unit.

Do not expose the sensors to aggressive detergents such as freon, trichlorethylen, etc. Optical windows (e.g. filter, lens) may be cleaned with alcohol and cotton swab.

## Electrical Characteristics

Unless otherwise indicated, all limits specified for  $T_A = 25^\circ\text{C}$ ,  $V_{DD} = +5\text{ V}$

Symbol	Parameter	Min	Typ	Max	Unit	Conditions
<b>Power Supply</b>						
$V_{DD}$	Supply Voltage	4.5	5	5.5	V	
$I_{DD}$	Supply Current		1.5	2	mA	$R_L > 1\text{M}\Omega$
<b>Outputs <math>V_{Tobj} / V_{TambESD}</math></b>						
$V_O$	Output Voltage Swing	0.25		$V_{DD} - 0.25\text{V}$	V	$I_{out}: -100\mu\text{A} \dots +100\mu\text{A}$
$R_O$	Output Resistance			100	$\Omega$	
$R_L$	Resistive Output Load	50			k $\Omega$	
$C_L$	Capacitive Output Load		100	500	pF	
$I_{SC}$	Output short circuit current		6		mA	Sourcing
			13		mA	Sinking
<b>Serial Interface SDAT, SCLK</b>						
$V_{iL}$	Low level input voltage			$0.3 V_{DD}$	V	
$V_{iH}$	High level input voltage	$0.7V_{DD}$			V	
$I_{iL}$	Low level input current	-600		-200	$\mu\text{A}$	
$I_{iH}$	High level input current			1	$\mu\text{A}$	

## Electrical Characteristics (continued)

Symbol	Parameter	Min	Typ	Max	Unit	Conditions
V <sub>oL</sub>	Low level output voltage			0.5	V	Output current ≤ 2mA
V <sub>oH</sub>	High level output voltage	V <sub>DD</sub> -0.6V			V	output current ≥ -2mA
<b>Reference Voltage</b>						
V <sub>Ref</sub>	Reference voltage	1.223	1.225	1.227	V	R <sub>L</sub> > 1MΩ, T <sub>A</sub> = 25°C
TC <sub>VRef</sub>	Temperature coefficient of reference voltage		±30	±100	ppm K <sup>-1</sup>	

## AC Characteristics

Unless otherwise indicated, all limits specified for T<sub>A</sub> = 25°C, V<sub>DD</sub> = +5V

Symbol	Parameter	Min	Typ	Max	Unit	Conditions
In <sub>N</sub>	V1 Input referred voltage noise			120	nV/√Hz	rms value
t <sub>stt</sub>	Response Time after Power On			1	s	
t <sub>lat</sub>	Latency time for V <sub>Tobj</sub>			75	ms	
t <sub>resp</sub>	Response Time		90	150	ms	

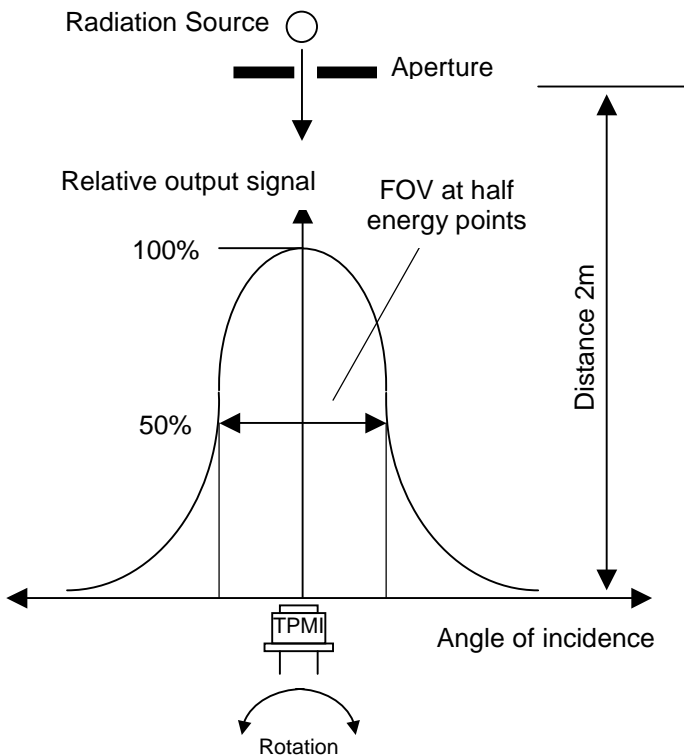
## Thermopile Characteristics

Symbol	Parameter	Min	Typ	Max	Unit	Conditions
<b>3-type chip (TPS 33x)</b>						
S	Sensitive (absorber) area		0.7x0.7		mm <sup>2</sup>	
N	Noise voltage		38		nV/√Hz	
τ	Time constant		25		ms	

## V<sub>Tobj</sub> / V<sub>Tamb</sub> Characteristics

The V<sub>Tobj</sub> and the V<sub>Tamb</sub> characteristics of thermopile sensors depends not only on object and ambient temperature but on several other factors like object size to spot size relation, ambient temperature compensation behaviour or optical filter characteristics. Therefore it is not possible to specify a general V<sub>Tobj</sub> and V<sub>Tamb</sub> characteristic. Those characteristics will be specified application specific in a separate customer specification.

## Optical Characteristics



The A2TPMI is available with different standard optical cap assemblies with and without an infrared lens or mirror.

The optics defines the view angle or field of view (FOV) of the sensor.

The FOV is defined as the incidence angle difference, where the sensor shows 50% relative output signal according to the setup shown.

**Figure 1:** FOV definition

Symbol	Parameter	Min	Typ	Max	Unit	Conditions
<b>Standard Cap Type (C4)</b>						
FOV	Field of view		60	70	°	50% rel. output signal
OA	Optical axis		0	± 10	°	
<b>High cap type with internal reflector (C6 IRA)</b>						
FOV	Field of view		15	20	°	50% rel. output signal
OA	Optical axis		0	±2	°	
<b>Low cap type (C7)</b>						
FOV	Field of view		100	105	°	50% rel. output signal
			125	135	°	10% rel. output signal
OA	Optical axis		0	±10	°	
<b>Mirror Module (ML / MR / MF)</b>						
Field of view			7	12	°	50% rel. output signal
<b>Lens Cap Type (L5.5)</b>						
FOV	Field of view		7	12	°	50% rel. output signal
OA	Optical axis		0	± 3.5	°	
D:S	Distance to spot size ratio		8:1			

### Optical Characteristics (continued)

Symbol	Parameter	Min	Typ	Max	Unit	Conditions
<b>Lens Cap Type (L10.6)</b>						
FOV	Field of view		5	8	°	50% rel. output signal
OA	Optical axis		0	±2	°	
D:S	Distance to spot size ratio		11:1			

### Filter Characteristics

Parameter	Min	Typ	Max	Unit	Conditions
<b>Standard Filter</b>					
Average Transmission	70			%	Wavelength range from 7.5 μm to 13.5 μm
Average Transmission			0.5	%	Wavelength range from visual to 5 μm
Cut On	5.2	5.5	5.8	μm	At 25°C
<b>G9 Filter</b>					
Average Transmission	70			%	Wavelength range from 9 μm to 13 μm
Average Transmission			1	%	Wavelength range from visual to bandpass
Cut On	7.8	8	8.2	μm	At 25°C
<b>Uncoated Silicon Lens (G12)</b>					
Average Transmission		52		%	Wavelength range from 5.5 μm to 13.5 μm

PerkinElmer offers a wide range of Infrared Filters available in many different filter characteristics. Please contact PerkinElmer if you have special requirements or need further information.



## **General Description**

### **THERMOPILE SENSOR**

The signal voltage, generated by the infrared radiation-sensitive thermopile sensor, is preamplified by a programmable chopped amplifier with 8 bit resolution.

Due to the principle of thermopile temperature measurements, the thermopile voltage can be positive or negative depending if the object temperature is higher or lower than the ambient temperature of the A2TPMI. In order to allow signal processing of negative voltages with a single supply system, all internal signals are related to an internal voltage reference ( $V_{ref}$ ) of nominal 1.225 V, which serves as a virtual analog ground.

For offset voltage trimming of the thermopile amplification path, the preamplifier is followed by a programmable trimming stage generating an offset voltage with a resolution of 8 bit.

The thermopile voltage shows a non-linear output characteristic versus the object temperature.

### **AMBIENT TEMPERATURE SENSOR**

The temperature of the A2TPMI, respectively the thermopile sensor, is detected by an integrated temperature sensor. This signal will be amplified and signal processed in order to match the reverse characteristics of the amplified thermopile curve, to realize an optimum of ambient temperature compensation after adding the two signals. The characteristics of the temperature sensor signal is adjustable. This adjustment is part of the ASIC production process and will be provided by PerkinElmer. Thus the characteristics of the A2TPMI ambient temperature signal  $V_{Tamb}$  is always provided fully calibrated.

### **AMBIENT TEMPERATURE COMPENSATION**

The thermopile sensor converts the temperature radiation of an object surface to an electrical signal by means of thermocouples (Seebeck effect). The sensor output voltage is caused by the temperature difference between radiation heated (hot) junctions and cold junctions with a good thermal contact to the housing.

In order to deliver an output signal which is only dependent on the object temperature, any change of housing (ambient) temperature has to lead to an appropriate output signal correction.

For temperature compensation, the amplified thermopile- and temperature reference signals ( $V_{Tambint}$ ) are added in an adding amplifier stage. The amplification is adjustable in a wide range according to application / customer requirements.

The ambient temperature compensated and amplified signal is supplied to the output  $V_{Tobj}$ . The temperature reference signal or alternatively the bandgap reference voltage is available on a second output pin  $V_{Tamb}$ . Both outputs are short circuit stable.

## CONTROL UNIT / SERIAL INTERFACE

The operation characteristics of the A2TPMI have to be configured with a set of internal random access registers. All parameters / configurations are permanently stored in E2PROM in parallel, Configuration is usually done during factory calibration and does not need any user input.

The control unit offers via serial interface access to all the registers, i.e. the internal parameters of the A2TPMI. The serial interface is a two wire bi-directional synchronous (SDAT, SCLK) type. A2TPMI sensors are in general factory calibrated and therefore there is no need to use the serial interface for standard applications.

The SDAT- / SCLK pins are internally pulled up to VDD and can be left unconnected. If the SDAT / SCLK pins will be connected in the application, ensure signal conformity to the serial interface specification. Subsequent undefined signals applied to these pins, may change the configuration and lead to malfunctioning of the sensor.

For detailed information about the serial interface refer to application note: *A2TPMI Serial Interface description*, or contact PerkinElmer application support.

## OUTPUT CONFIGURATION

The A2TPMI offers various output configurations, which can be configured via the serial communication interface by means of integrated analog switches. For each output it can be individually selected whether the output operates in 'Analog mode' or in 'Comparator mode'.

In 'Analog mode' the output signal represents the measured IR radiation, respectively the temperature as an analog DC voltage.

In 'Comparator mode' the measured IR radiation, respectively the temperature is compared to a programmed threshold. For slowly changing signals an additional hysteresis can be configured. If the measured signal is above the threshold, +5VDC (logical high) is applied to the output. If the measured signal is below the threshold, 0VDC (logical low) is applied to the output.

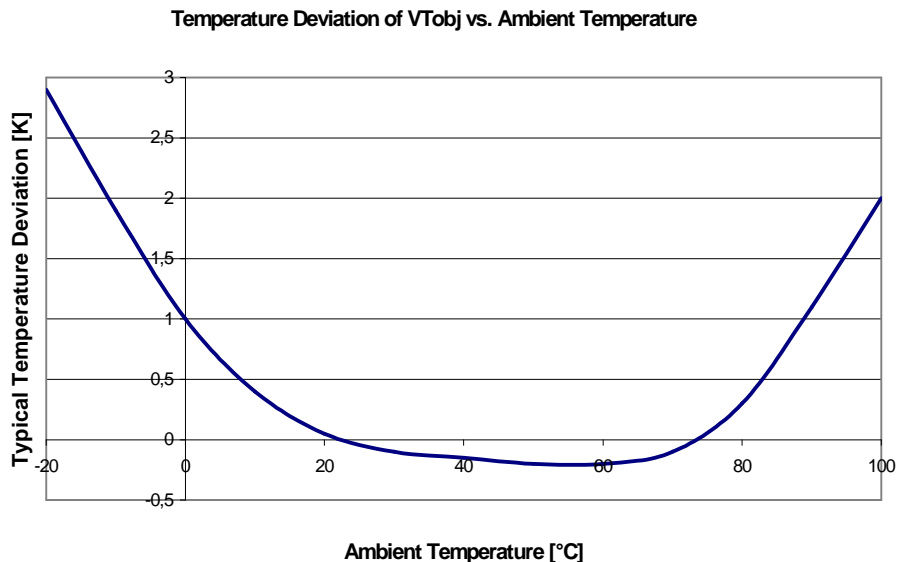
For detailed information about the output configuration refer to application note: *A2TPMI Serial Interface description*, or contact PerkinElmer application support.

## Application Information

### AMBIENT TEMPERATURE COMPENSATION

Because of many physical effects, that influence the non-contact temperature measurement based on infrared radiation, it is difficult to meet the best initial adjustment for a specific application. Therefore some deviations might be found at first measuring. For all applications the optimized solution can be prepared and fixed based on the measurement in the application environment. PerkinElmer is pleased in providing you assistance to find the conditions, which deliver the highest accuracy in your application.

The temperature compensation is only working well within a certain ambient temperature range, limited by different device parameters of the thermopile sensor and the temperature reference sensor. The following diagram shows a typical characteristics and is only an example for better understanding of the principle compensation curve. The curve shows the deviation for a correct working of a compensated module.



The compensation of the module sample in the diagram is adjusted to the best fitting at 20°C to 80°C ambient temperature, but the curve can be shifted in the whole ambient temperature range through the change of A2TPMI parameters.

### MEASUREMENT TOLERANCE

The temperature error of the A2TPMI depends on several factors like the emissivity, object temperature, object size to spot size relation, temperature gradients over the sensor housing in the environment, device tolerances and the optimal adjustment of the ambient temperature compensation.

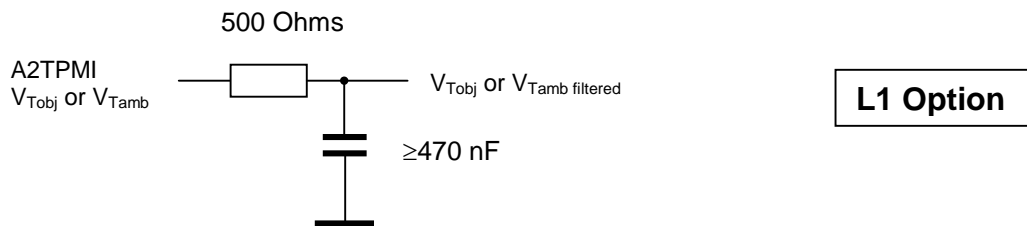
The accuracy as specified under  $V_{Tamb}$  and  $V_{Tobj}$  characteristics is based on theoretical calculation as well as on statistical evaluation results. The PerkinElmer quality system ensures that all A2TPMIs are calibrated and tested under a certain test conditions in order to guarantee these specifications.

However, due to the nature of infrared remote temperature measurements there might occur limits exceeding or deviations in specific application environments. In this case please contact the PerkinElmer application support to help you solving the problem.

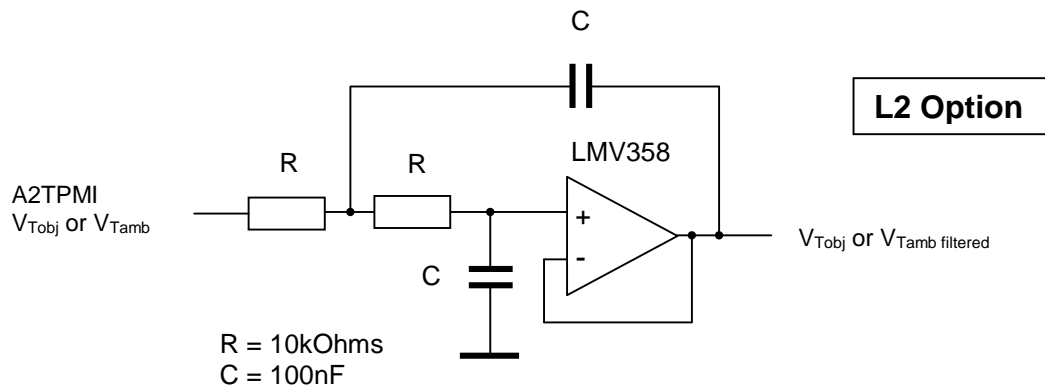
## OUTPUT SIGNAL

The A2TPMI amplifiers are realized in chopper amplifier technology. Due to the nature of this technology the output signals  $V_{Tobj}$  and  $V_{Tamb}$  incorporate an AC signal of approximately 10 mV peak to peak in the range of 250 kHz. This AC voltage can be suppressed either by an electrical low pass filter or via an additional software filtering.

In applications with low resistive load ( $> 1\text{Mohm}$ ) a simple RC low pass filter as follows can be used to smooth the signal:



In applications with high resistive load (50kOhm ... 1MOhm) filtering can be achieved with the following circuit. A rail to rail OPamp like the LMV358 should be used so that the full sensing range will be available on the output of the filter circuit.



## PRINTED CIRCUIT BOARD (PCB) VERSION

Two different sizes of standard PCB versions are available. P1 version is a 17 x 34 mm<sup>2</sup> PCB which allows assembly of additional external mirror optics (M options). P3 version is 17 x 20 mm<sup>2</sup> PCB suitable for applications with restricted space. P3 version is not available with mirror (M option).

Each PCB version is available either as plain version (sensor directly wired to connector), or with 1<sup>st</sup> order (RC-circuit, L1 option) or 2<sup>nd</sup> order (active OpAmp circuit, L2 option) low pass filter, in order to provide attenuation of the AC portion on the output signal as described in chapter Output Signal.

The PCB versions are available with following connector assemblies:

Connection type	Manufacturer: Model No.	
	Header	Connector
4 pin top entry	JST: B 4B-PH-K-S	Housing: PHR 4 Contact: SPH-004T-P0.5S
4 pin side entry	JST: S 4B-PH-K-S	
6 pin top entry	JST: B 6B-PH-K-S	Housing: PHR 6 Contact: SPH-004T-P0.5S
6 pin side entry	JST: S 6B-PH-K-S	

Contact Material: Phosphor bronze ; tin-plated,  
Applicable wire: 0.032 to 0.08mm<sup>2</sup>  
Insulation O.D.: 0.5 to 0.9 mm

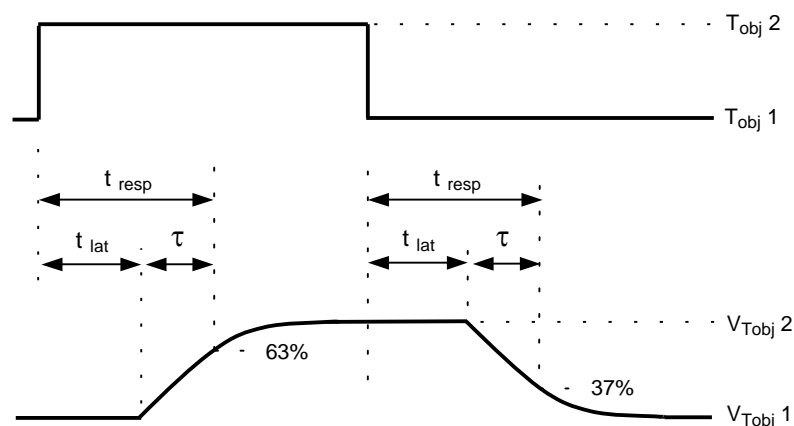
**Note:** Engineering samples will be delivered only with a 6 pin header and counterpart connector with 350 mm cable.

## OUTPUT LOAD

Capacitive loads which are applied directly to the outputs reduce the loop stability margin. Values of 100 pF can be accommodated. Resistive load for the outputs should be held as small as possible (i.e. a large load resistance,  $R_{load} > 50 \text{ k}\Omega$  has to be used) in order to avoid an impact on the temperature signal due to self heating of the module.

## RESPONSE TIME

The response time to an object temperature jump depends on the time constant  $\tau$  of the thermopile and the signal processing time of the A2TPMI. The processing of the thermopile signal has a latency time ( $t_{lat}$ ) of max. 75ms caused by the time required for AD-conversion, DA conversion and signal processing. The following diagram explains the connection of these events



**Figure 2:** response time definition

The A2TPMI has a sampling rate of 30 samples / second which results in a resolution of approx. 30ms for dynamic signals at  $V_{Tobj}$ .

## **LATCHUP AVOIDANCE**

Junction isolated CMOS circuits inherently include a parasitic 4 layer (PNPN) structure which has characteristics similar to a thyristor (SCR). Under certain circumstances this junction may be triggered into a low impedance state, resulting in excessive supply current, which can thermally destroy the circuit.

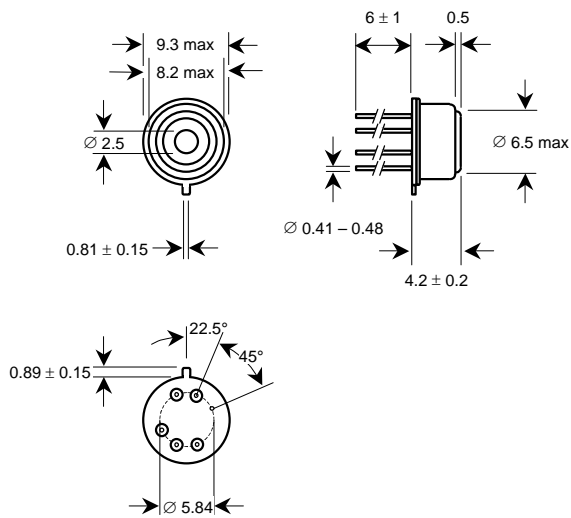
To avoid this condition, no voltage greater than 0.3 V beyond the supply rails should be applied to any pin. In general the ATPMI supplies must be established either at the same time or before any signals are applied to the inputs. If this is not possible the drive circuits must limit the input current flow to maximum 5mA to avoid latchup. In general the device has to be operated with a 100 nF capacitor in parallel to the power supply.

## **SOLDERING**

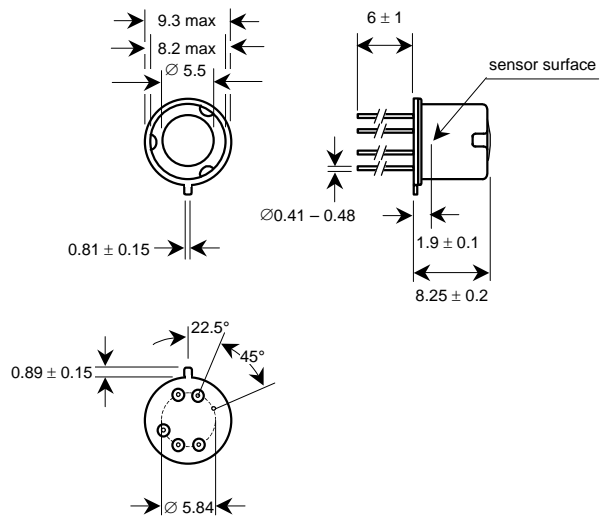
The TPMI is a lead-free component and fully complies with the ROHS regulations, especially with existing roadmaps of lead-free soldering. The terminations of the TPMI sensor consist of nickel plated Kovar and gold finish. Hand soldering is recommended.

**Packaging Information**

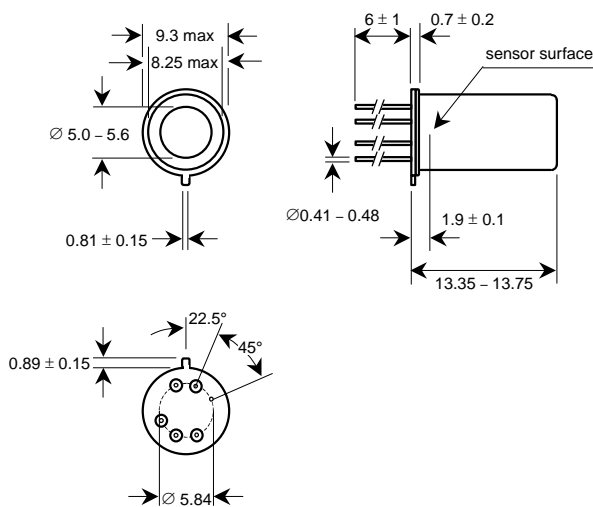
**TO39 with Standard cap (C4):  
A2TPMI 334**



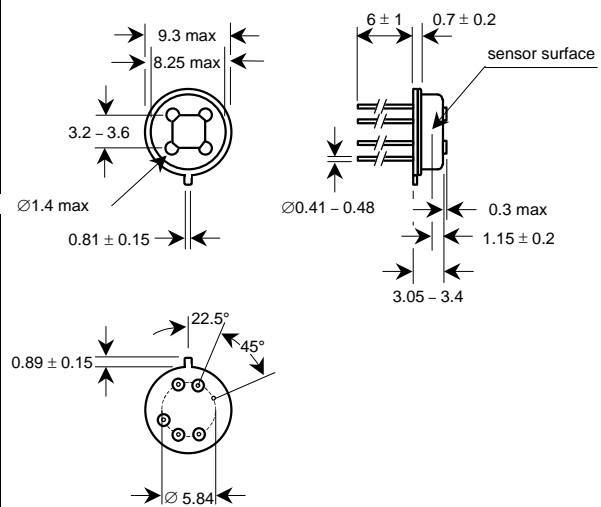
**TO 39 with 5.5mm focal length Si lens  
(L5.5):  
A2TPMI 334-L5.5**



**TO39 with high cap and int. reflector  
(C6 IRA):  
A2TPMI 336 IRA**

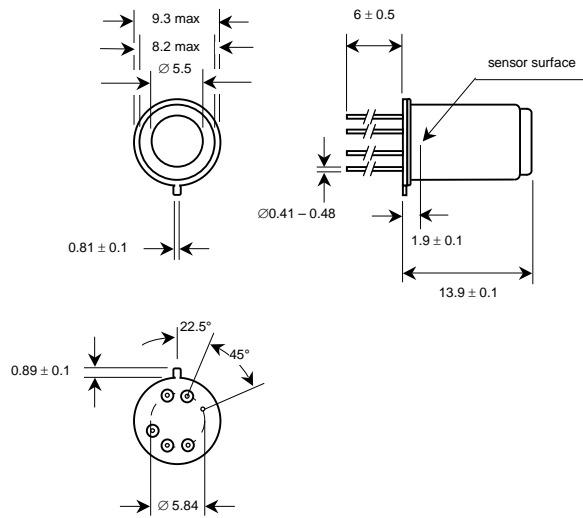


**TO39 with low cap and square hole (C7)  
A2TPMI 337**



**Packaging Information (continued)**

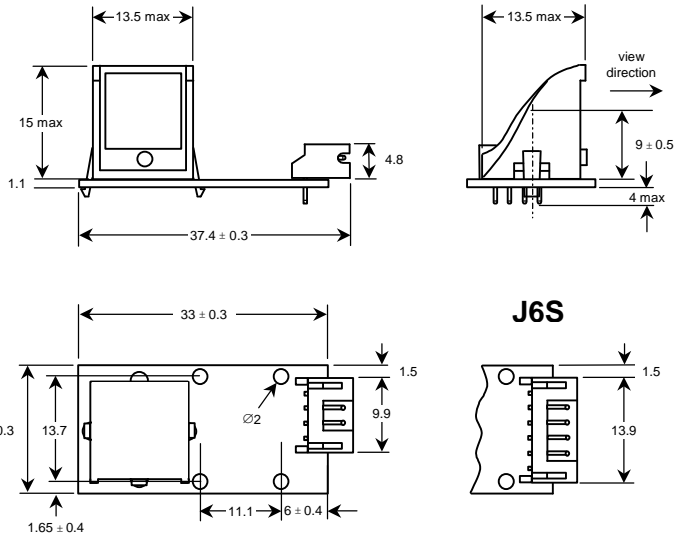
**TO 39 with 10.6mm focal length Si lens  
(L10.6):  
A2TPMI 334-L10.6**



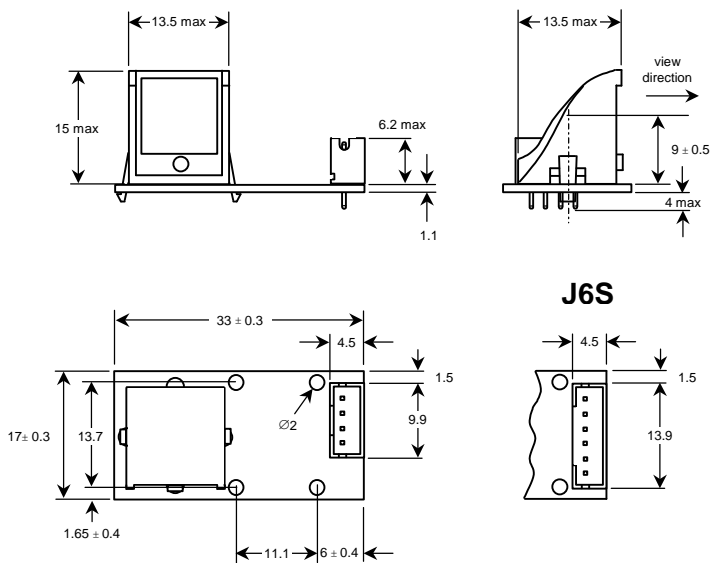




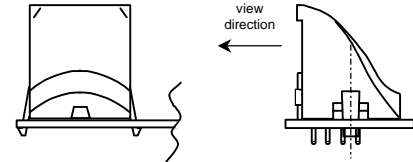
**PCB Version P1 J4S with external Mirror**



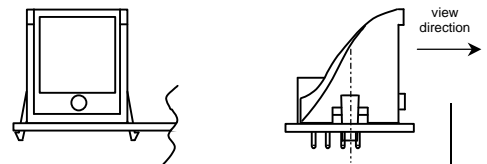
**PCB Version P1 J4T with external Mirror**



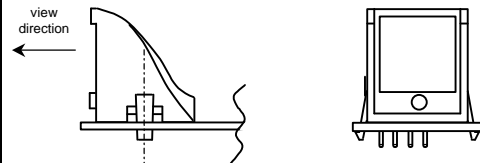
**MR Type**



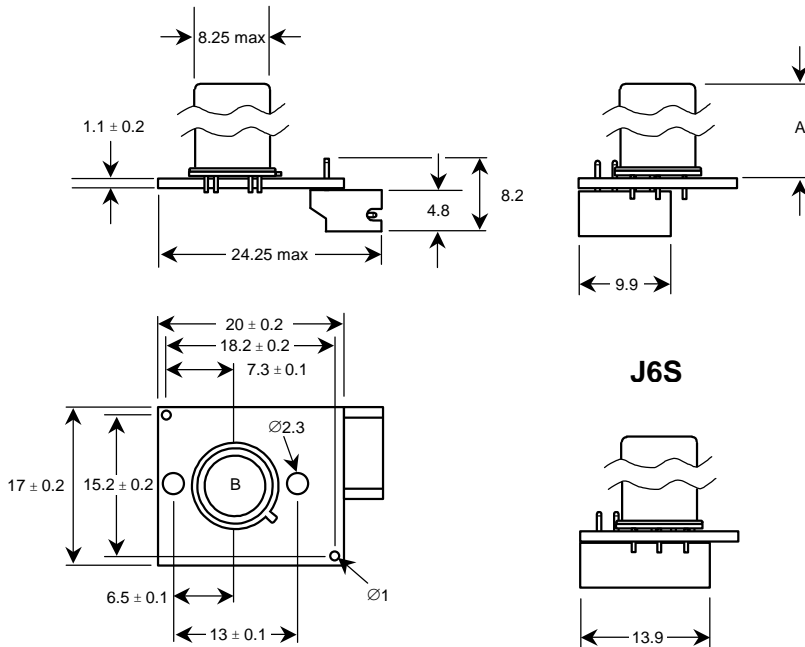
**ML Type**



**MF Type**



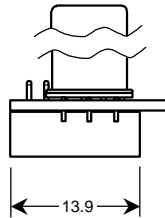
**PCB Version P3 J4S**



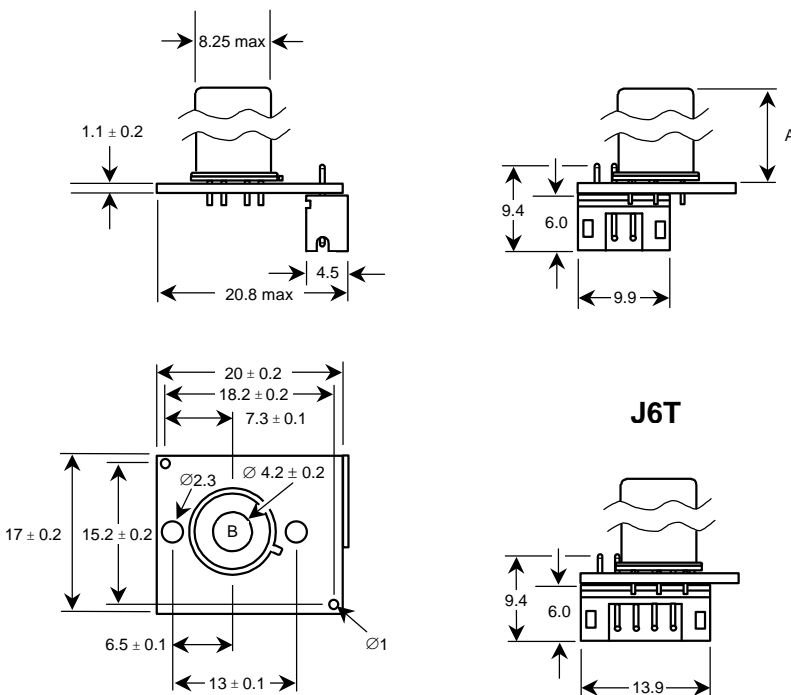
<b>Dimensions A (Cap Type)</b>	
C4	4.3 ± 0.3
C6IRA	13.6 ± 0.3
C7	3.5 ± 0.3
L5.5	8.3 ± 0.3
L10.6	14.0 ± 0.3

<b>Dimensions B</b>	
Refer to sensor drawings	

**J6S**



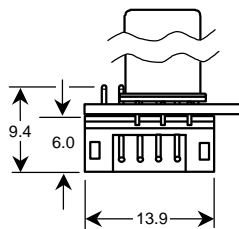
**PCB Version P3 J4T**



<b>Dimensions A (Cap Type)</b>	
C4	4.3 ± 0.3
C6IRA	13.6 ± 0.3
C7	3.5 ± 0.3
L5.5	8.3 ± 0.3
L10.6	14.0 ± 0.3

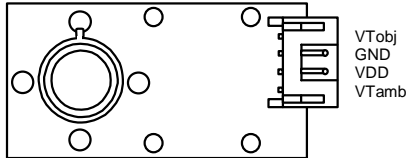
<b>Dimensions B</b>	
Refer to sensor drawings	

**J6T**

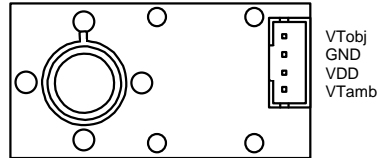


## Connection Information

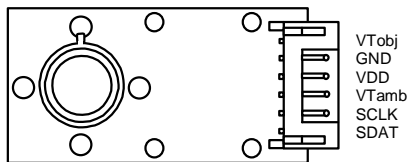
**PCB Version P1 J4S**



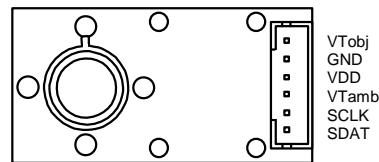
**PCB Version P1 J4T**



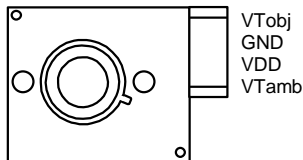
**PCB Version P1 J6S**



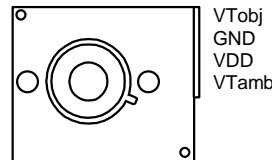
**PCB Version P1 J6T**



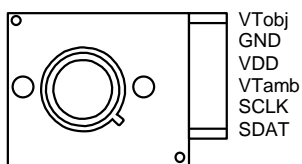
**PCB Version P3 J4S**



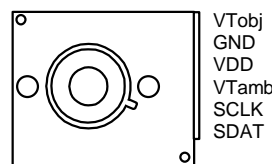
**PCB Version P3 J4T**



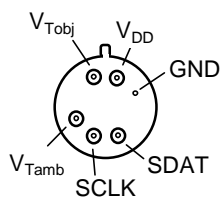
**PCB Version P3 J6S**



**PCB Version P3 J6T**



**Non PCB Version**



**Bottom view**

---

## Liability Policy

The contents of this document are subject to change without notice. Customers are advised to consult with PerkinElmer Optoelectronics sales representatives before ordering.

Customers considering the use of PerkinElmer Optoelectronics thermopile devices in special applications where failure or abnormal operation may directly affect human lives or cause physical injury or property damage, or where extremely high levels of reliability are demanded, are requested to consult with PerkinElmer Optoelectronics sales representatives before such use. The company will not be responsible for damage arising from such use without prior approval.

As any semiconductor device, thermopile sensors or modules have inherently a certain rate of failure. It is therefore necessary to protect against injury, damage or loss from such failures by incorporating safety design measures into the equipment.

---



**PerkinElmer Optoelectronics GmbH & Co. KG**  
PO Box 3007  
65020 Wiesbaden • Germany  
Tel.: +49 (0)611 492 430  
Fax: +49 (0)611 492 177  
<http://www.perkinelmer.com>