

PLEASE CHECK WWW.MOLEX.COM FOR LATEST PART INFORMATION

Part Number: [0353391211](#)
Status: **Active**
Description: 2.50mm (.098") Pitch Wire-to-Board Header, 1.27mm (.050") Tab, Right Angle, Combo Type , 12 Circuits, Black

Documents:

[Drawing \(PDF\)](#) [RoHS Certificate of Compliance \(PDF\)](#)
[Product Specification PS-35339-001 \(PDF\)](#)

General

Product Family	PCB Headers
Series	35339
Application	Wire-to-Board
Product Name	N/A

Physical

Breakaway	No
Circuits (Loaded)	12
Circuits (maximum)	12
Color - Resin	Natural
Durability (mating cycles max)	30
First Mate / Last Break	No
Glow-Wire Compliant	No
Guide to Mating Part	No
Keying to Mating Part	None
Lock to Mating Part	Yes
Material - Metal	Brass
Material - Plating Mating	Tin
Material - Plating Termination	Tin
Material - Resin	Polyester
Number of Rows	1
Orientation	Right Angle
PC Tail Length (in)	0.165 In
PC Tail Length (mm)	4.19 mm
PCB Locator	Yes
PCB Retention	None
PCB Thickness Recommended (in)	0.062 In
PCB Thickness Recommended (mm)	1.60 mm
Packaging Type	Bag
Pitch - Mating Interface (in)	0.098 In
Pitch - Mating Interface (mm)	2.50 mm
Polarized to PCB	Yes
Shrouded	Partial
Stackable	No
Surface Mount Compatible (SMC)	No
Temperature Range - Operating	-40°C to +120°C
Termination Interface: Style	Through Hole

Electrical

Current - Maximum per Contact	4A
Voltage - Maximum	12V

Material Info

Reference - Drawing Numbers

Product Specification	PS-35339-001
Sales Drawing	SD-35339-12**

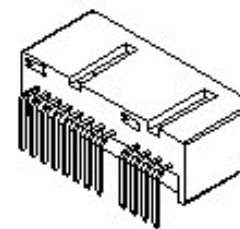


image - Reference only

Series

EU RoHS

ELV and RoHS Compliant
REACH SVHC
 Not Reviewed
Halogen-Free
Status
Not Reviewed

China RoHS



Need more information on product environmental compliance?

Email productcompliance@molex.com
 For a multiple part number RoHS Certificate of Compliance, [click here](#)

Please visit the [Contact Us](#) section for any non-product compliance questions.

Search Parts in this Series

[35339Series](#)

Mates With

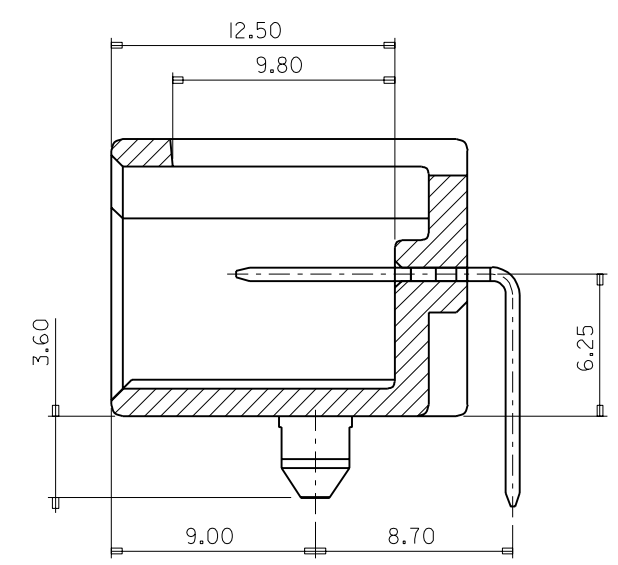
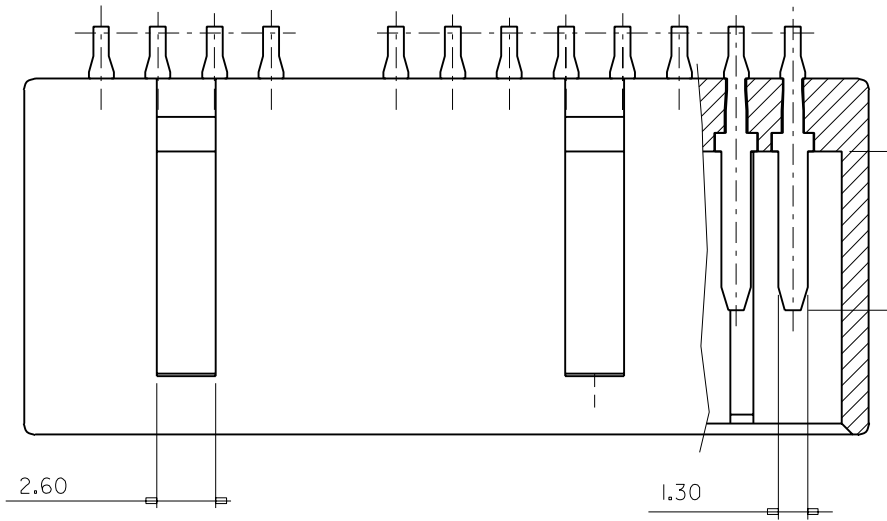
Wire-to-Board Female Housing [35198](#) , [35197](#)

This document was generated on 04/06/2010

PLEASE CHECK WWW.MOLEX.COM FOR LATEST PART INFORMATION

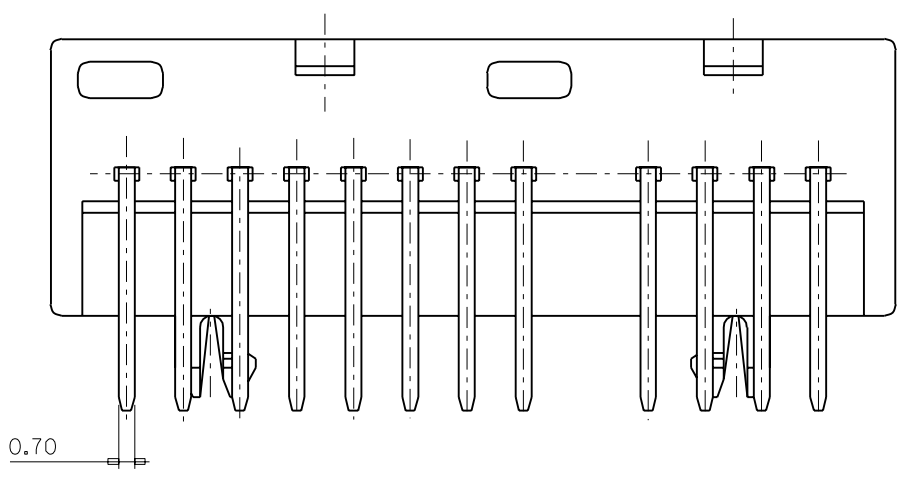
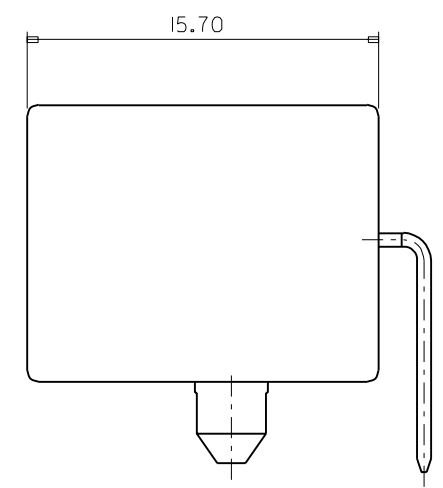
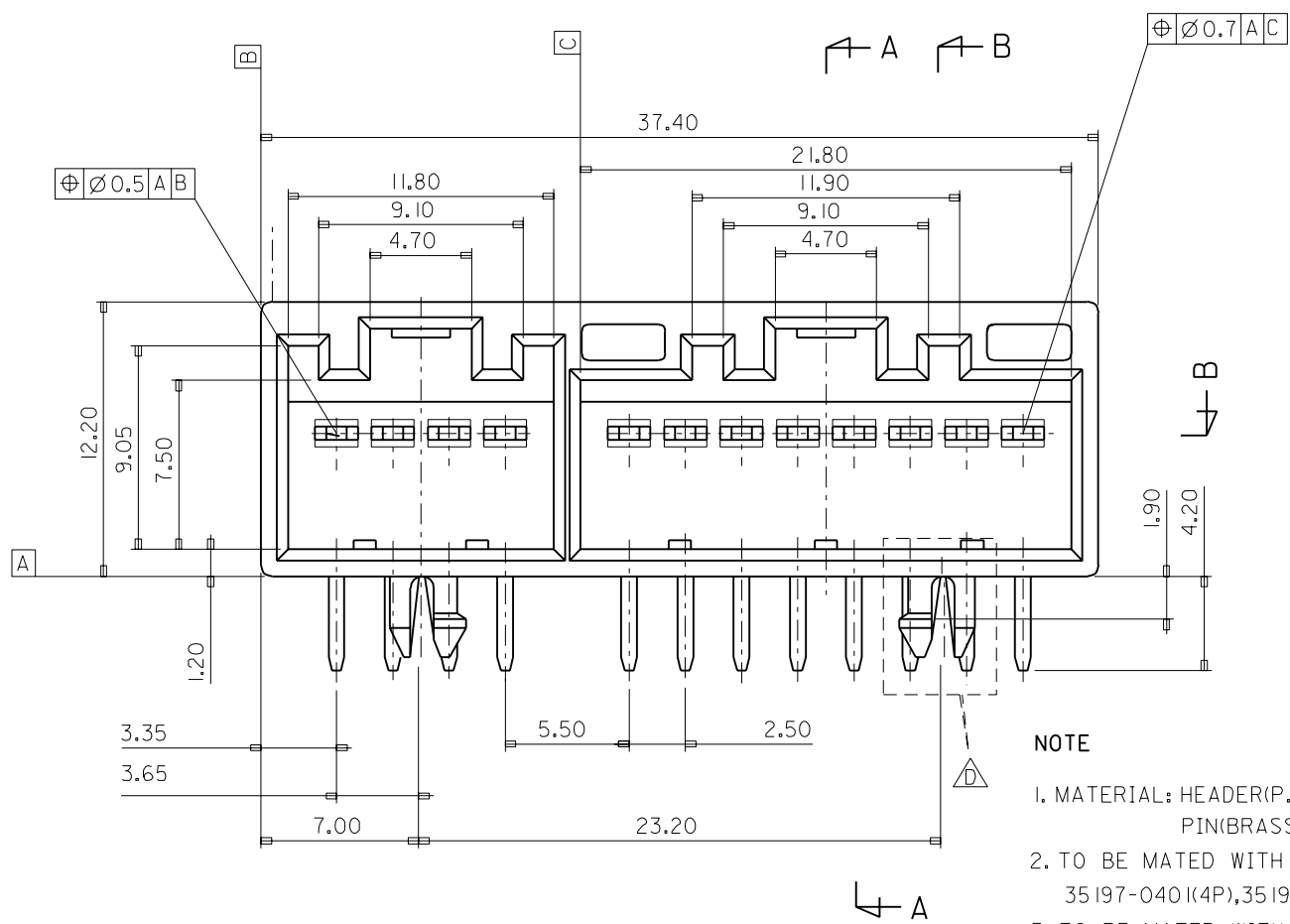
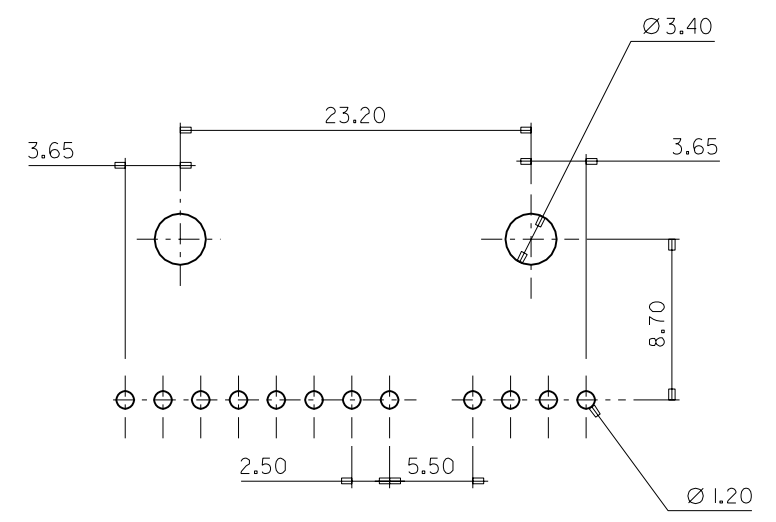
DWG. NO. SD-35339-001
 SIMILAR ITEM
 PROJECT NO.
 C
 B
 DO NOT SCALE DRAWING DIMENSION IN METRIC

SECTION B-B



SECTION A-A

RECOMMENDED P.C.BOARD PATTEN(S=2:1)
 (THK:1.6) (TOLERANCE: ±0.1)



- NOTE**
- MATERIAL: HEADER(P.B.T G/F 5%)
PIN(BRASS)
 - TO BE MATED WITH FEMALE HOUSING:
35197-040 (4P), 35198-080 (8P)
 - TO BE MATED WITH FEMALE TERMINAL: 50418-8*00

NO.	PIN PLATING	ENG. NO.	MATERIAL NO.	COLOR(HEADER)
1	PRE-TIN	35339-1210	353391210	WHITE
2	PRE-TIN	35339-1211	353391211	BLACK
3	PRE-TIN	35339-1215	353391215	GRAY
4	PRE-TIN	35339-1216	353391216	GREEN
5	AU	35339-1251	353391251	BLACK
6	SnPb	35339-1241	353391241	BLACK

RELEASE TO MANUFACTURING
 EC NO.: KOR2002-0092
 DRWN: '02.03.19 H.C.RHO
 CHK: '02.03.19 H.C.RHO
 APPR: '02.03.19 C.W.LEE

QUALITY SYMBOLS
 MAJOR =
 CRITICAL =

GENERAL TOLERANCES:
 (UNLESS SPECIFIED)

	mm	INCH
4 PLACES	±0.	±.
3 PLACES	±0.	±.
2 PLACES	±0.3	±.
1 PLACE	±0.	±.

ANGULAR: ± 1 °

DRAFT WHERE APPLICABLE MUST REMAIN WITHIN DIMENSIONS

SCALE 3:1
 DESIGN UNITS mm INCH
 THIRD ANGLE PROJECTION

DRAWN BY & DATE
 H.C.RHO.95.11.07

CHECKED BY & DATE
 H.C.RHO.95.11.07

APPROVED BY & DATE
 C.W.LEE. 95.11.07

CAD FILENAME
 SD35339

DIMENSIONS: mm INCH mm ONLY

SHT REV
 REVISE ON CAD ONLY

TITLE:
 .050 W/B HEADER ASS'Y 12P

MOLEX INCORPORATED KOREA

MATERIAL NO. SEE NOTE
 DRAWING NO. SD-35339-001
 SHEET NO. 1 OF 1
 SIZE B