

PLEASE CHECK WWW.MOLEX.COM FOR LATEST PART INFORMATION

Part Number: [0003066043](#)
Status: **Active**
Overview: [standard_062](#)
Description: 1.57mm (.062") Diameter Standard .062 Pin and Socket Receptacle Housing, Dual row, with Panel Mount Ears, PA Polyamide Nylon 6/6, UL 94V-2, 4 Circuits, Black

Documents:

[3D Model](#) [RoHS Certificate of Compliance \(PDF\)](#)
[Drawing \(PDF\)](#)

Agency Certification

CSA LR19980
 UL E29179

General

Product Family Crimp Housings
 Series [2004](#)
 Overview [standard_062](#)
 Product Name Standard .062"

Physical

Circuits (maximum) 4
 Circuits Detail (2 x 2)
 Color - Resin Natural
 Flammability 94V-2
 Gender Female
 Glow-Wire Compliant No
 Lock to Mating Part Yes
 Material - Resin Nylon
 Number of Rows 2
 Packaging Type Bag
 Panel Mount Yes
 Pitch - Mating Interface (in) 0.145 In
 Pitch - Mating Interface (mm) 3.68 mm
 Polarized to Mating Part Yes
 Stackable No
 Temperature Range - Operating -40°C to +105°C

Electrical

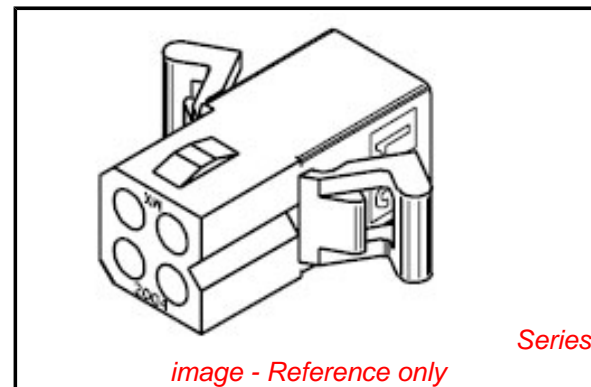
Current - Maximum per Contact 5A

Material Info

Old Part Number 2004-RBK

Reference - Drawing Numbers

Sales Drawing SD-2004-*



EU RoHS

ELV and RoHS Compliant
REACH SVHC
 Not Reviewed
Halogen-Free Status

China RoHS



Not Reviewed

Need more information on product environmental compliance?

Email productcompliance@molex.com
 For a multiple part number RoHS Certificate of Compliance, [click here](#)

Please visit the [Contact Us](#) section for any non-product compliance questions.

Search Parts in this Series

[2004Series](#)

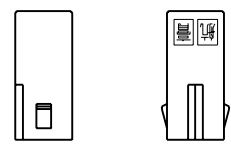
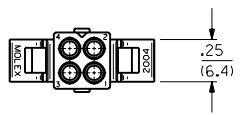
Mates With

[03-06-7044](#) Free Hanging Plug (Black)

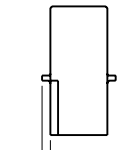
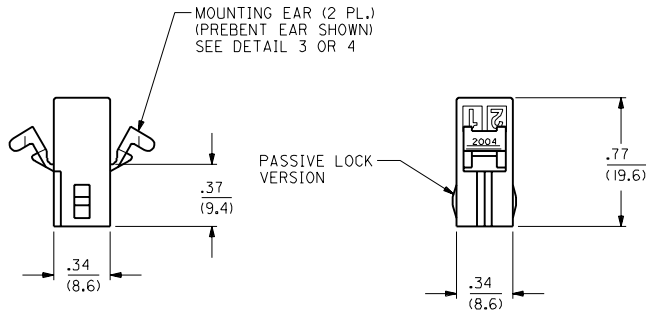
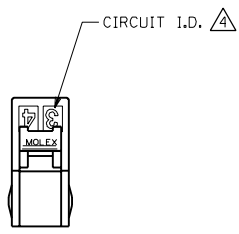
Use With

[1560](#) male crimp terminals, [1561](#) female crimp terminals, [4559](#) , [4529](#) , [2190](#) , [2189](#) , [1787](#) female crimp terminals, [1786](#) male crimp terminals, [1854](#) male crimp terminals, [1855](#) female crimp terminals, [1778](#) male PC tail terminals, [1779](#) female PC tail terminals

PLEASE CHECK WWW.MOLEX.COM FOR LATEST PART INFORMATION

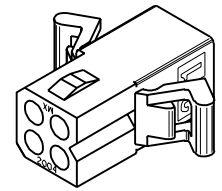
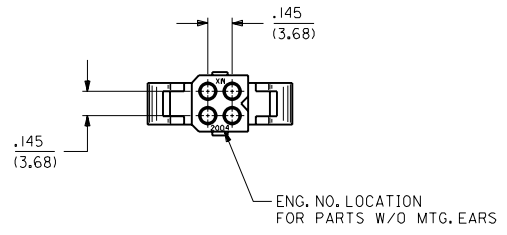


DETAIL 1
POSITIVE LOCK VERSION
ENG. NO. 2004-R5*



DETAIL 2
RECEPTACLE WITHOUT EARS
OR DETENTS, ENG. NO. 2004-R3*

ALLOWANCE OF .000/.060 (0.00/1.52) (2 PL.) FOR CUT OFF OF MOUNTING EARS



RECEPTACLE HOUSING

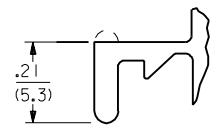
DIMENSIONS SHOWN METRIC (INCH)		▽ = 0 ▼ = 0		REVISE ONLY ON CAD SYSTEM	
UNLESS OTHERWISE SPECIFIED TOLERANCES: ANGULAR ± .001		TITLE		PLUG AND RECEPTACLE HOUSINGS, 4 CIRCUIT .062/(1.57) DIA.	
INCH METRIC		FILE NAME		PART NO.	
3 PLACE ± .010	---	H2004C4		MOLEX INCORPORATED	
2 PLACE ± .014	± 0.25	SCALE		L15LEJLL 60532	
1 PLACE ---	± 0.36	4: 1		SHEET NO. 2	
DRAFT WHERE APPLICABLE MUST REMAIN WITHIN DIMENSIONS		DATE		8/27/91	
DRWG. BY: RS		DRWG. NO.		SD-2004-*	
APP'D. BY: RS		SCALE		DIV. CP	
LTR. REVISIONS		LTR. REVISIONS		SIZE C	
I SEE SHEET I					

PLUG		
PART NO.	ENG. NO.	
03-06-2043	2004-P	
03-06-7043	2004-PBK	
03-06-2044	2004-PI	
03-06-7044	2004-PIBK	
PRELIMINARY	2004-P2	
03-06-7045	2004-PIRD	OBSOLETE
03-06-7046	2004-PIBN	OBSOLETE
03-06-7047	2004-PIOR	OBSOLETE

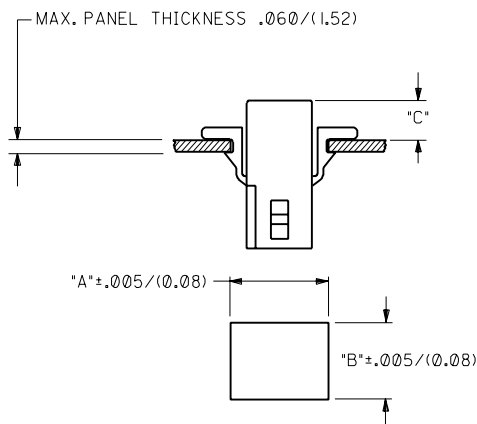
RECEPTACLE		
PART NO.	ENG. NO.	
03-06-1043	2004-R	
03-06-6043	2004-RBK	
03-06-1044	2004-RI	
03-06-6044	2004-RIBK	OBSOLETE
03-06-1046	2004-R3	OBSOLETE
03-06-1052	2004-R5	OBSOLETE
03-06-6052	2004-R5BK	OBSOLETE
PRELIMINARY	2004-R2	
03-06-6045	2004-RRD	OBSOLETE
03-06-6046	2004-RBN	OBSOLETE
03-06-6048	2004-ROR	OBSOLETE

LEGEND:

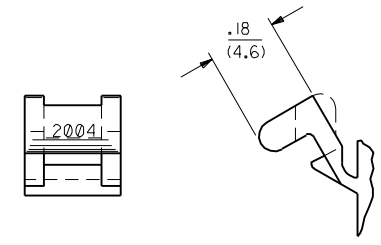
2004-***
 P = PLUG
 R = RECEPTACLE
 BLANK = WITH STANDARD EARS
 1 = WITHOUT EARS
 2 = WITH PREBENT EARS
 3 = W/O EARS, W/O DETENTS
 5 = W/O EARS, WITH POSITIVE LOCKS



NOTE:
 THIS DRAWING ENCOMPASSES ALL 2004 SERIES HOUSINGS EXCEPT 2004-R7.



- NOTES:**
- MATERIAL - NYLON TYPE 6/6, 94V-2
 - THIS PRODUCT COMPLIES WITH MOLEX PRODUCT SPEC 02-06.
 - HOUSINGS FOR USE WITH MOLEX .062/(1.57) DIA. SERIES TERMINALS.
 - CIRCUIT I.D. NUMBERS ON SIDE OF HOUSING APPEAR ON PARTS FROM TOOLS BUILT AFTER 8/26/91.
 - THIS DIMENSION .020/(0.51) LESS ON TOOLS BUILT PRIOR TO 8/26/91.



DETAIL 4

PREBENT MOUNTING EARS
 (SCALE 4:1)

HOUSING	DIM. "A"	DIM. "B"	PREBENT EAR DIM. "C"	STD. EAR DIM. "C"
PLUG	.615 (15.62)	.465 (11.81)	.26 (6.6)	.26 (6.6)
RECEPTACLE	.506 (12.85)	.400 (10.16)	.24 (6.1)	.24 (6.1)

DIMENSIONS SHOWN (METRIC) INCH UNLESS OTHERWISE SPECIFIED TOLERANCES ANGULAR ± 10°		▽ = 0 ▽ = 0 REVISE ONLY ON CAD SYSTEM	
INCH METRIC		TITLE PLUG AND RECEPTACLE HOUSINGS, 4 CIRCUIT .062/(1.57) DIA.	
3 PLACE ± .010	---	PART NO. SHEET NO. DATE	
2 PLACE ± .014 ± 0.25	---	MOLEX INCORPORATED 3 8/28/91	
1 PLACE --- ± 0.36	---	L15LEJLL 60532 U.S.A.	
DRAFT WHERE APPLICABLE MUST REMAIN WITHIN DIMENSIONS		DRWG. NO. SD-2004-*	
DRWG. BY: JJS	CHK'D. BY: RW	SEE CHART	
APP'D. BY: RS	SCALE: 2 : 1	FILE NAME: H2004C4	
LTR. REVISIONS		THIS DRAWING CONTAINS INFORMATION THAT IS PROPRIETARY TO MOLEX INC. AND SHOULD NOT BE USED WITHOUT WRITTEN PERMISSION.	