

CXK582000TM/YM/M -85LL/10LL

262144-word × 8-bit High Speed CMOS Static RAM Preliminary

Description

The CXK582000TM/YM/M is a high speed CMOS static RAM organized as 262144-words by 8 bits.

A polysilicon TFT cell technology realized extremely low stand-by current and higher data retention stability.

Special feature are low power consumption and high speed and board package line-up.

The CXK582000TM/YM/M is a suitable RAM for portable equipment with battery back up.

Features

- Fast access time (Access time)
 - 85LL 85ns (Max.)
 - 10LL 100ns (Max.)
- Low standby current 40μA (Max.)
- Low data retention current 24μA (Max.)
- Single +5V supply: 4.5V to 5.5V.
- Low voltage data retention : 2.0V (Min.)
- Broad package line-up

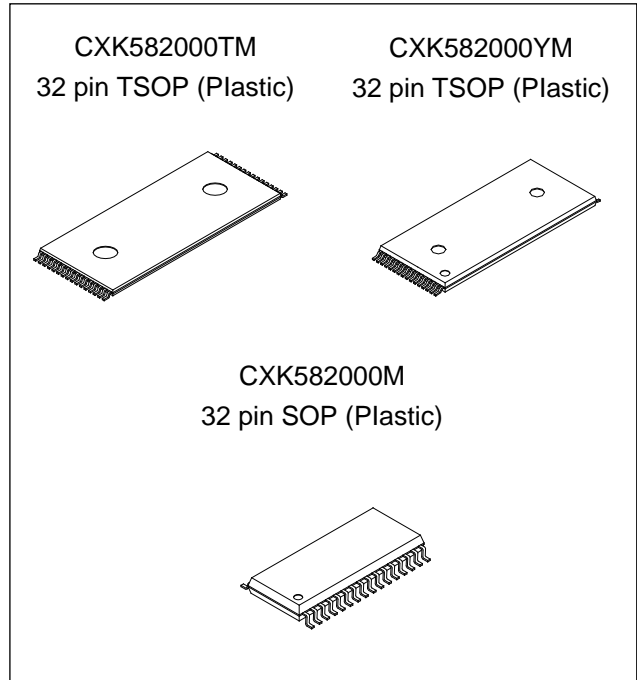
CXK582000TM/YM	8mm × 20mm 32 pin
	TSOP Package
CXK582000M	525mil 32 pin
	SOP Package

Function

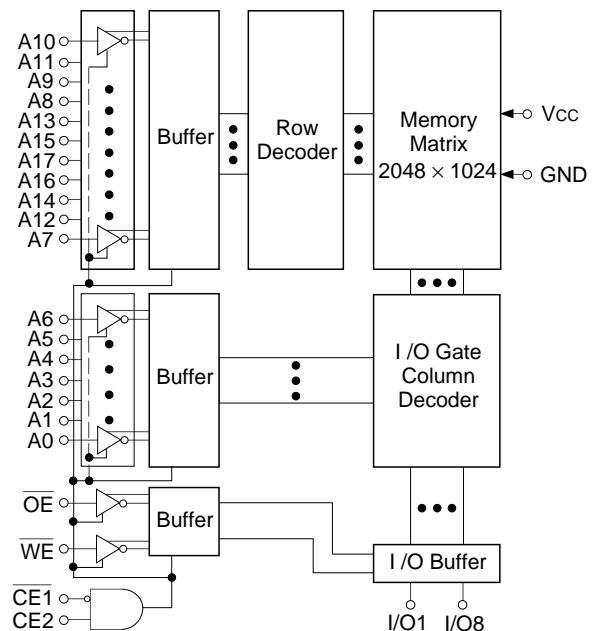
262144 word x 8 bit static RAM

Structure

Silicon gate CMOS IC

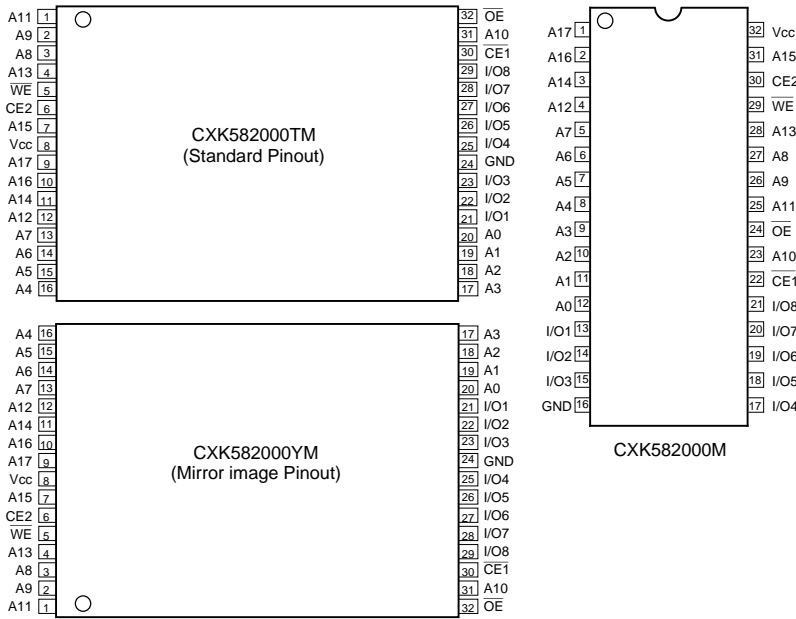


Block Diagram



Sony reserves the right to change products and specifications without prior notice. This information does not convey any license by any implication or otherwise under any patents or other right. Application circuits shown, if any, are typical examples illustrating the operation of the devices. Sony cannot assume responsibility for any problems arising out of the use of these circuits.

Pin Configuration (Top View)



Pin Description

Symbol	Description
A0 to A17	Address input
I/O1 to I/O8	Data input output
CE1, CE2	Chip enable 1, 2 input
WE	Write enable input
OE	Output enable input
Vcc	Power supply
GND	Ground

Absolute Maximum Ratings

(Ta = 25°C, GND = 0V)

Item	Symbol	Rating	Unit
Supply voltage	V _{CC}	-0.5 to +7.0	V
Input voltage	V _{IN}	-0.5* to V _{CC} + 0.5	V
Input and output voltage	V _{I/O}	-0.5* to V _{CC} + 0.5	V
Allowable power dissipation	P _D	0.7	W
Operating temperature	T _{opr}	0 to +70	°C
Storage temperature	T _{stg}	-55 to +150	°C
Soldering temperature · time	T _{solder}	235 · 10	°C · s

* V_{IN}, V_{I/O} = -3.0V Min. for pulse width less than 50ns.

Truth Table

CE1	CE2	OE	WE	Mode	I/O pin	Vcc Current
H	×	×	×	Not selected	High Z	ISB1, ISB2
×	L	×	×	Not selected	High Z	ISB1, ISB2
L	H	H	H	Output disable	High Z	Icc1, Icc2, Icc3
L	H	L	H	Read	Data out	Icc1, Icc2, Icc3
L	H	×	L	Write	Data in	Icc1, Icc2, Icc3

×: "H" or "L"

DC Recommended Operating Conditions (Ta = 0 to +70°C, GND = 0V)

Item	Symbol	Min.	Typ.	Max.	Unit
Supply voltage	V _{CC}	4.5	5.0	5.5	V
Input high voltage	V _{IH}	2.2	—	V _{CC} + 0.3	V
Input low voltage	V _{IL}	-0.3*	—	0.8	V

* V_{IL} = -3.0V Min. for pulse width less than 50ns.

Electrical Characteristics

• DC Characteristics (V_{CC} = 5V ± 10%, GND = 0V, Ta = 0 to +70°C)

Item	Symbol	Test conditions	Min.	Typ.*	Max.	Unit	
Input leakage current	I _{LI}	V _{IN} = GND to V _{CC}	-1	—	+1	μA	
Output leakage current	I _{LO}	$\overline{CE1} = V_{IH}$ or $\overline{CE2} = V_{IL}$ or OE = V _{IH} or WE = V _{IL} V _{I/O} = GND to V _{CC}	-1	—	+1	μA	
Operating power supply current	I _{CC1}	$\overline{CE1} = V_{IL}$, CE2 = V _{IH} V _{IN} = V _{IH} or V _{IL} I _{OUT} = 0mA	—	7	15	mA	
Average operating current	I _{CC2}	Min. cycle duty = 100% I _{OUT} = 0mA	-85LLX	—	45	80	mA
			-10LLX	—	40	70	
	I _{CC3}	Cycle time 1μs duty = 100% I _{OUT} = 0mA $\overline{CE1} \leq 0.2V$ CE2 ≥ V _{CC} - 0.2V V _{IL} ≤ 0.2V V _{IH} ≥ V _{CC} - 0.2V	—	12	24	mA	
Standby current	I _{SB1}	CE2 ≤ 0.2V or { $\overline{CE1} \geq V_{CC} - 0.2V$ CE2 ≥ V _{CC} - 0.2V	0 to +70°C	—	—	40	μA
			0 to +40°C	—	—	8	
			+25°C	—	1.4	4	
	I _{SB2}	$\overline{CE1} = V_{IH}$ or CE2 = V _{IL}	—	0.6	3	mA	
Output high voltage	V _{OH}	I _{OH} = -1.0mA	2.4	—	—	V	
Output low voltage	V _{OL}	I _{OL} = 1.0mA	—	—	0.4	V	

* V_{CC} = 5V, Ta = 25°C

I/O capacitance

(Ta = 25°C, f = 1MHz)

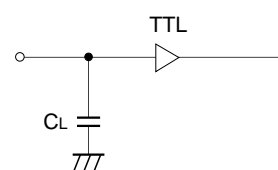
Item	Symbol	Test conditons	Min.	Typ.	Max.	Unit
Input capacitance	C _{IN}	V _{IN} = 0V	—	—	7	pF
I/O capacitance	C _{I/O}	V _{I/O} = 0V	—	—	8	pF

Note) This parameter is sampled and is not 100% tested.

AC Characteristics

• **AC test conditions** (V_{CC} = 5V ± 10%, Ta = 0 to +70°C)

Item	Conditions
Input pulse high level	V _{IH} = 2.2V
Input pulse low level	V _{IL} = 0.8V
Input rise time	t _r = 5ns
Input fall time	t _f = 5ns
Input and output reference level	1.5V
Output load conditions	C _L * = 100pF, 1TTL



* C_L includes scope and jig capacitances.

• Read cycle ($\overline{WE} = "H"$)

(Ta = 0 to +70°C)

Item	Symbol	-85LL		-10LL		Unit
		Min.	Max.	Min.	Max.	
Read cycle time	t _{RC}	85	—	100	—	ns
Address access time	t _{AA}	—	85	—	100	ns
Chip enable access time ($\overline{CE1}$)	t _{CO1}	—	85	—	100	ns
Chip enable access time (CE2)	t _{CO2}	—	85	—	100	ns
Output enable to output valid	t _{OE}	—	45	—	50	ns
Output hold from address change	t _{OH}	15	—	15	—	ns
Chip enable to output in low Z ($\overline{CE1}$, CE2)	t _{LZ1} , t _{LZ2}	10	—	10	—	ns
Output enable to output in low Z (\overline{OE})	t _{OLZ}	5	—	5	—	ns
Chip disable to output in high Z ($\overline{CE1}$, CE2)	t _{HZ1} , t _{HZ2} *	—	25	—	35	ns
Output disable to output in high Z (\overline{OE})	t _{OHZ} *	—	25	—	35	ns

* t_{HZ1}, t_{HZ2} and t_{OHZ} are defined as the time required for outputs to turn to high impedance state and are not referred to as output voltage levels.

• Write cycle

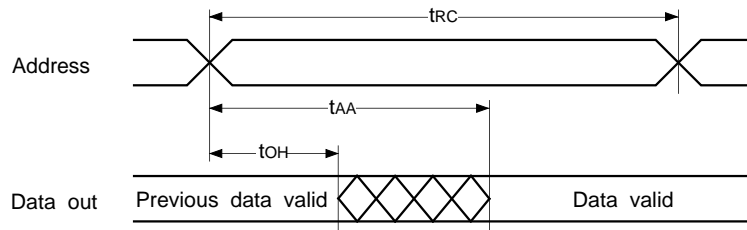
(Ta = 0 to +70°C)

Item	Symbol	-85LL		-10LL		Unit
		Min.	Max.	Min.	Max.	
Write cycle time	t _{WC}	85	—	100	—	ns
Address valid to end of write	t _{AW}	65	—	70	—	ns
Chip enable to end of write	t _{CW}	65	—	70	—	ns
Data to write time overlap	t _{DW}	35	—	45	—	ns
Data hold from write time	t _{DH}	0	—	0	—	ns
Write pulse width	t _{WP}	60	—	70	—	ns
Address setup time	t _{AS}	0	—	0	—	ns
Write recovery time (\overline{WE})	t _{WR}	5	—	5	—	ns
Write recovery time ($\overline{CE1}$, CE2)	t _{WR1}	5	—	5	—	ns
Output active from end of write	t _{OW}	10	—	10	—	ns
Write to output in high Z	t _{WHZ} *	—	25	—	30	ns

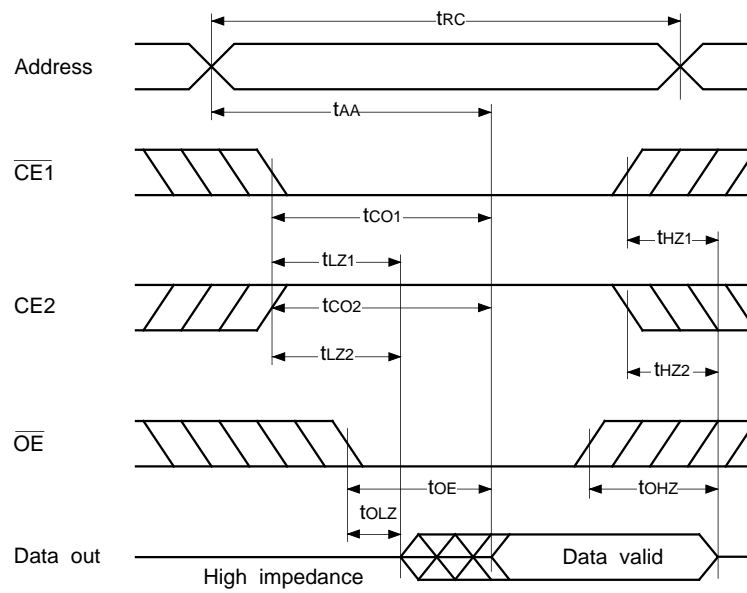
* t_{WHZ} is defined as the time required for outputs to turn to high impedance state and is not referred to as output voltage level.

Timing Waveform

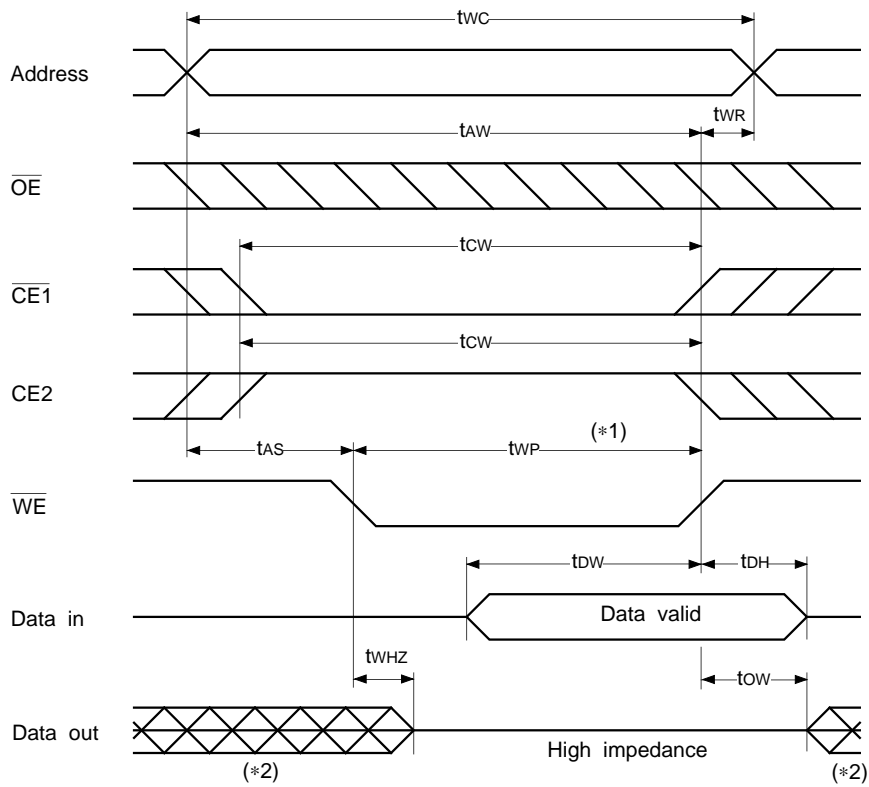
- Read cycle (1) : $\overline{CE1} = \overline{OE} = V_{IL}$, $CE2 = V_{IH}$, $\overline{WE} = V_{IH}$



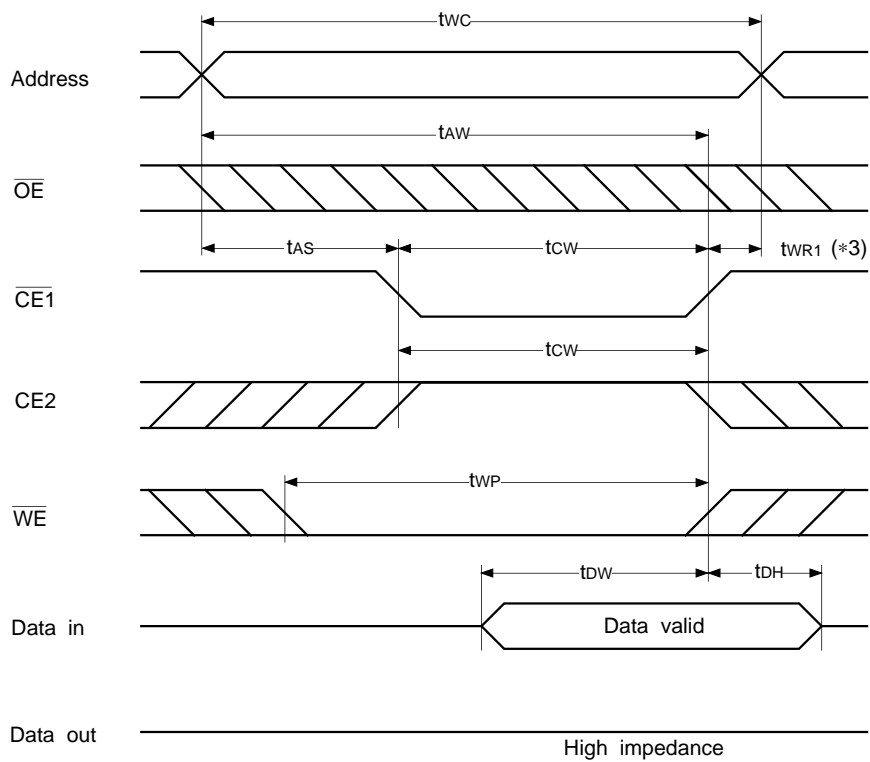
- Read cycle (2) : $\overline{WE} = V_{IH}$



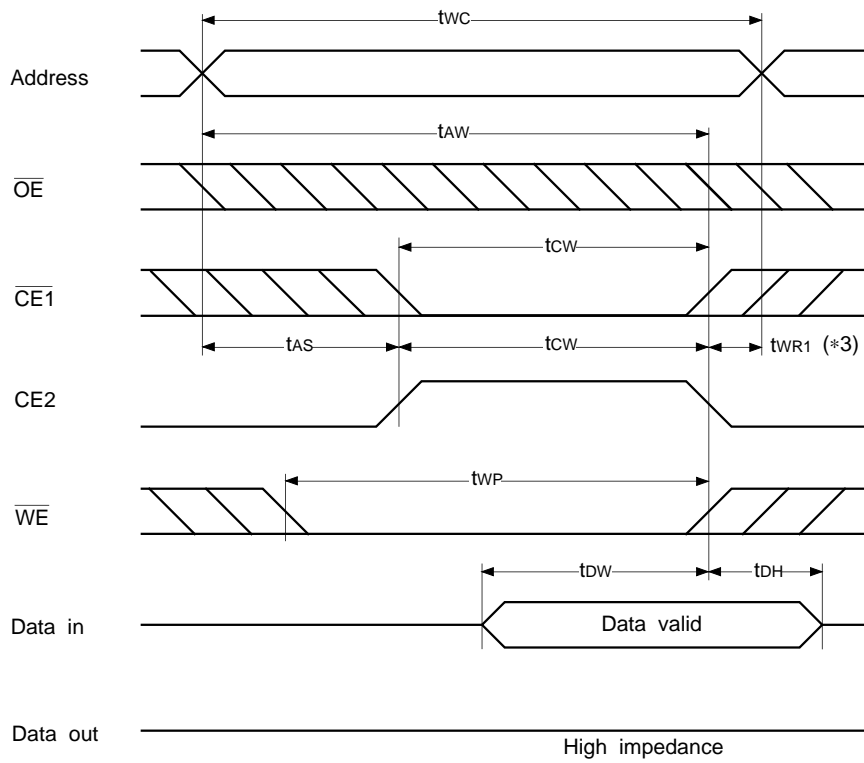
• Write cycle (1) : \overline{WE} control



• Write cycle (2) : $\overline{CE1}$ control



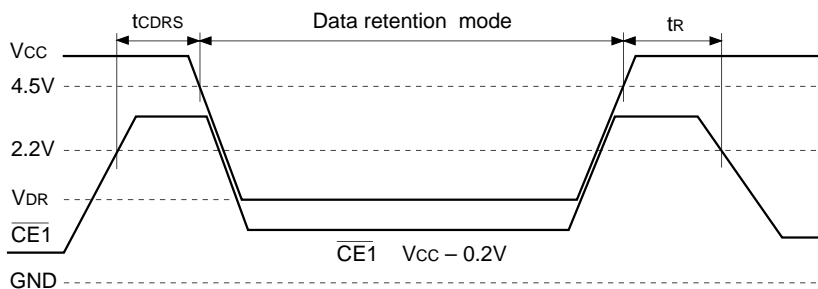
• Write cycle (3) : CE2 control



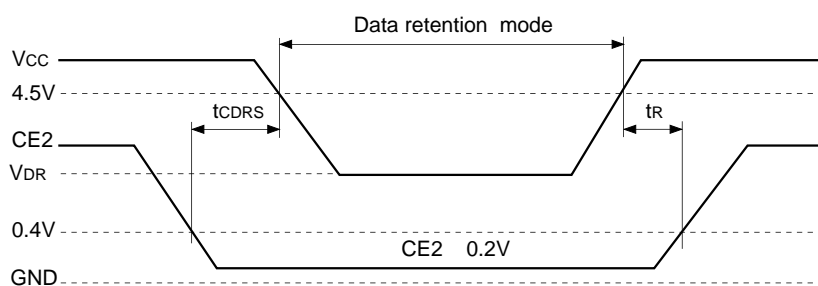
- *1 Write is executed when both $\overline{CE1}$ and \overline{WE} are at low and CE2 is at high simultaneously.
- *2 Do not apply the data input voltage of the opposite phase to the output while I/O pin is in output condition.
- *3 t_{WR1} is tested from either the rising edge of $\overline{CE1}$ or the falling edge of CE2, whichever comes earlier, until the end of the write cycle.

Data retention waveform

- Low supply voltage data retention waveform (1) ($\overline{CE1}$ control)



- Low supply voltage data retention waveform (2) (CE2 control)



Data Retention Characteristics

(Ta = 0 to +70°C)

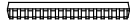
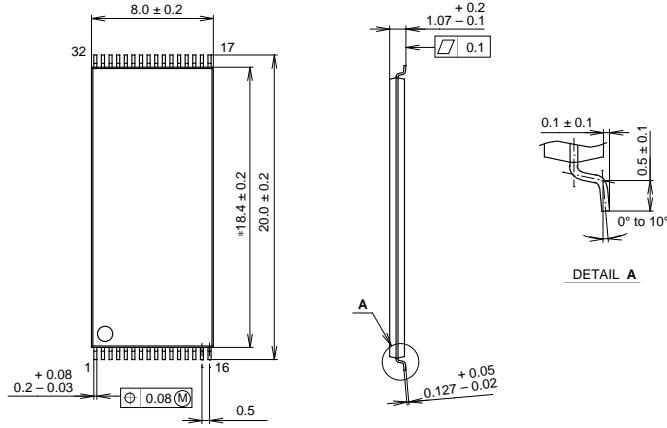
Item	Symbol	Test conditions	Min.	Typ.	Max.	Unit	
Data retention voltage	V _{DR}	*	2.0	—	5.5	V	
Data retention current	I _{CCDR1}	V _{CC} = 3.0V* ¹	0 to +70°C	—	—	24	μA
			0 to +40°C	—	—	4.8	
			+25°C	—	0.8	2.4	
	I _{CCDR2}	V _{CC} = 2.0 to 5.5V*	—	1.4	40	μA	
Data retention setup time	t _{CDRS}	Chip disable to data retention mode	0	—	—	ns	
Recovery time	t _R		5	—	—	ms	

* $\overline{CE1} \geq V_{CC} - 0.2V$, $CE2 \geq V_{CC} - 0.2V$ ($\overline{CE1}$ control) or $CE2 \leq 0.2V$ (CE2 control)

Package Outline Unit: mm

CXK582000TM

32PIN TSOP (I) (PLASTIC)



NOTE : *NOT INCLUDE MOLD FIN.

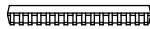
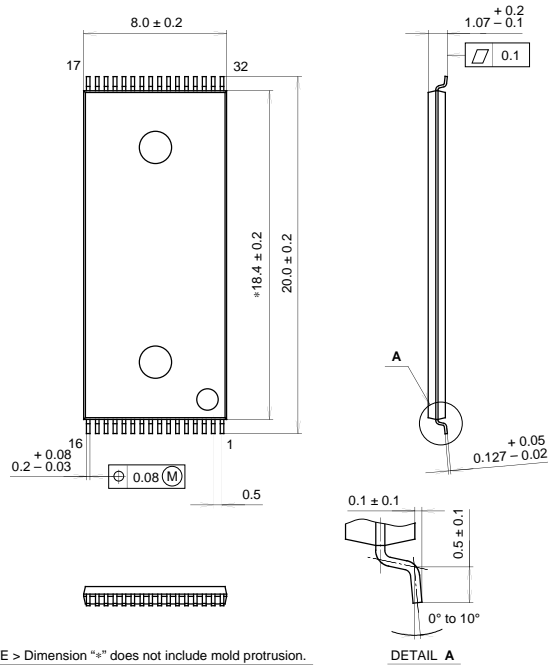
PACKAGE STRUCTURE

SONY CODE	TSOP-32P-L01
EIAJ CODE	TSOP032-P-0820-A
JEDEC CODE	

PACKAGE MATERIAL	EPOXY / PHENOL RESIN
LEAD TREATMENT	SOLDER PLATING
LEAD MATERIAL	42 ALLOY
PACKAGE WEIGHT	

CXK582000YM

32PIN TSOP (PLASTIC)



NOTE > Dimension "*" does not include mold protrusion.

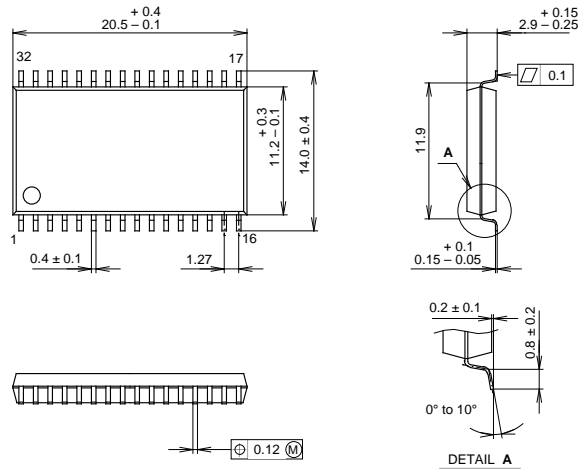
PACKAGE STRUCTURE

SONY CODE	TSOP-32P-L01R
EIAJ CODE	TSOP032-P-0820-B
JEDEC CODE	

PACKAGE MATERIAL	EPOXY RESIN
LEAD TREATMENT	SOLDER PLATING
LEAD MATERIAL	42 ALLOY
PACKAGE WEIGHT	0.3g

CXK582000M

32PIN SOP (PLASTIC) 525mil



PACKAGE STRUCTURE

SONY CODE	SOP-32P-L02
EIAJ CODE	*SOP032-P-0525-A
JEDEC CODE	_____

PACKAGE MATERIAL	EPOXY / PHENOL RESIN
LEAD TREATMENT	SOLDER PLATING
LEAD MATERIAL	42 ALLOY
PACKAGE WEIGHT	_____