

**PLEASE CHECK WWW.MOLEX.COM FOR LATEST PART INFORMATION**

**Part Number:** [0357280201](#)  
**Status:** **Active**  
**Description:** 2.00mm (.079") Dia Socket Terminal, Brass, 0.25mm (.010") Thickness, Wire Range 14-20 AWG (2.00-0.52mm<sup>2</sup>), Pre-Tin Plated

**Documents:**

[Drawing \(PDF\)](#) [RoHS Certificate of Compliance \(PDF\)](#)  
[Product Specification PS-35141-001 \(PDF\)](#)

**General**

Product Family	Crimp Terminals
Series	<a href="#">35728</a>
Crimp Quality Equipment	Yes
Product Name	N/A

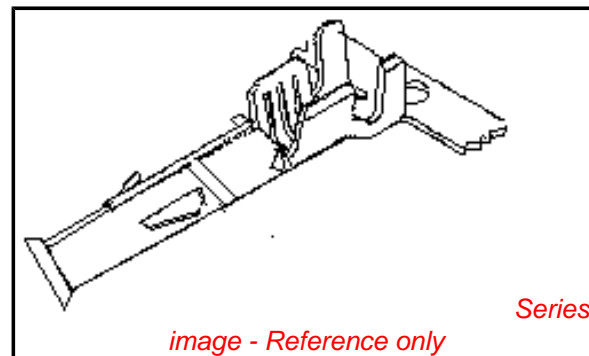
**Physical**

Gender	Female
Material - Metal	Brass
Material - Plating Mating	Tin
Material - Plating Termination	Tin
Packaging Type	Reel
Plating min: Mating (µin)	32.00
Plating min: Mating (µm)	0.800
Plating min: Termination (µin)	32.00
Plating min: Termination (µm)	0.80
Termination Interface: Style	Crimp or Compression
Wire Insulation Diameter	1.90-3.40mm (.075-.134")
Wire Size AWG	14, 16, 18, 20
Wire Size mm <sup>2</sup>	N/A

**Material Info**

**Reference - Drawing Numbers**

Product Specification	PS-35141-001
Sales Drawing	SD-35728-0201

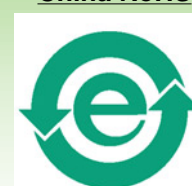


*image - Reference only*

**EU RoHS**

**ELV and RoHS  
Compliant**  
**REACH SVHC  
Contains SVHC: No**  
**Halogen-Free  
Status**  
**Halogen-Free**

**China RoHS**



**Need more information on product  
environmental compliance?**

Email [productcompliance@molex.com](mailto:productcompliance@molex.com)  
 For a multiple part number RoHS Certificate of Compliance, [click here](#)

Please visit the [Contact Us](#) section for any non-product compliance questions.

**Search Parts in this Series**

[35728Series](#)

**Mates With**

2.00mm (.079") Dia Pin|[35727-0201](#)

**Use With**

[35143](#) , [35144](#)

**Application Tooling | [FAQ](#)**

*Tooling specifications and manuals are found by selecting the products below. Crimp Height Specifications are then contained in the Application Tooling Specification document.*

**Global**

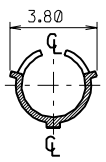
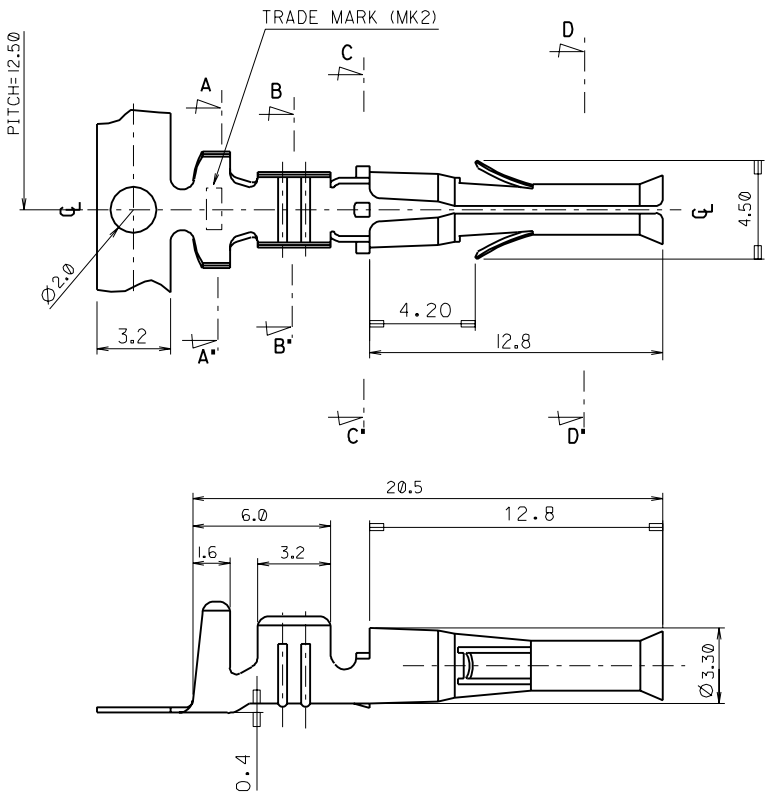
Description	Product #
Mini-Mac™ Applicator	<a href="#">0638923000</a>

DO NOT SCALE DRAWING DIMENSION IN METRIC

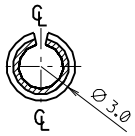
PROJECT NO.

SIMILAR ITEM

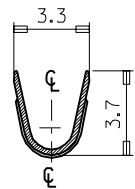
DWG. NO. SD-35728-001



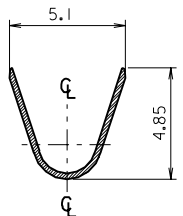
SECTION: C-C'



SECTION: D-D'



SECTION: B-B'



SECTION: A-A'

NOTES

1. MATERIAL: BRASS THICKNESS: 0.25
2. FINISH: PRE-TIN PLATING
6. APPLICABLE HOUSING: Ø2.0 PLUG HOUSING (35143-\*\*-01, 35144-0401) • MEANS CIRCUIT NO.
7. MATING TERMINAL: Ø2.0 PIN TERMINAL (35727-0201)
8. APPLICABLE WIRE RANGE: AWG #20-#14, INSUL.DIA 1.9-3.4mm

MATERIAL NO.	ENG. NO.
357280201	35728-0201

REVISED	EC NO. KOR 1999-0120	QUALITY SYMBOLS
DRWN: W.Y.YANG 99.12.31	CHK: CHK	MAJOR = 3
APPR: APPR		CRITICAL = 0
DESCRIPTION		
REV		

GENERAL TOLERANCES: (UNLESS SPECIFIED)	
mm	INCH
4 PLACES ±0.	±.
3 PLACES ±0.	±.
2 PLACES ±0.25	±.
1 PLACE ±0.25	±.
ANGULAR: ± 3°	
DRAFT WHERE APPLICABLE MUST REMAIN WITHIN DIMENSIONS	

SCALE 5:1	DESIGN UNITS <input checked="" type="checkbox"/> mm <input type="checkbox"/> INCH
DRAWN BY & DATE W.Y.YANG 92/03/04	
CHECKED BY & DATE B.K.CHOI 92/03/04	
APPROVED BY & DATE C.W.LEE 92/03/04	
CAD FILENAME E7280201.DGN	

DIMENSIONS: <input type="checkbox"/> mm <input type="checkbox"/> INCH <input checked="" type="checkbox"/> mm ONLY		SHT	REV
THIRD ANGLE PROJECTION		REVISE ON CAD ONLY	
TITLE: 2.0 DIA SOCKET TERMINAL			
<b>MOLEX INCORPORATED KOREA</b>			
MATERIAL NO. SEE CHART	DRAWING NO. SD-35728-001	SHEET NO. 10F1	SIZE B
THIS DRAWING CONTAINS INFORMATION THAT IS PROPRIETARY TO MOLEX INCORPORATED AND SHOULD NOT BE USED WITHOUT WRITTEN PERMISSION.			