

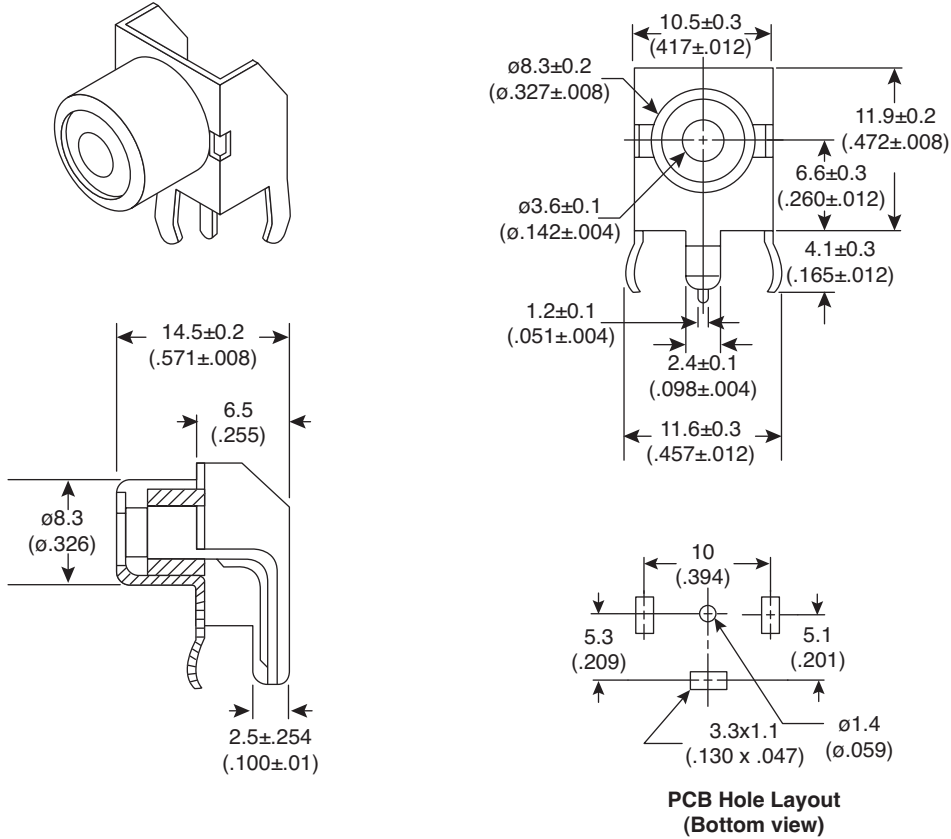
Right Angle RCA PCB Mount Phono Jacks

161-0340-E, 161-0350-E, 161-0360-E, 161-0370-E,
161-0380-E, 161-0390-E

KOBICONN

Right Angle RCA
PCB Mount Phono Jacks

161-0340-E, 161-0350-E, 161-0360-E, 161-0370-E,
161-0380-E, 161-0390-E



Dimensions: mm (in.)

SPECIFICATIONS

Type:	Right Angle, PCB Mount, Phono
Insulation Resistance:	10M Ω min. @ 500V RMS
Withstand Voltage:	1080VAC for 1 Minute
Humidity Test:	90% RH @ 40°C for 48 Hours
Temperature Rating:	70°C
Body:	Tin Plated Steel
Contact:	Tin Plated Brass
Insulator:	PBT
Withstand Heat:	250°C, 3 sec.
RoHS Compliant	

MOUSER STOCK NO.	Color
161-0340-E	Blue
161-0350-E	Green
161-0360-E	White
161-0370-E	Red
161-0380-E	Yellow
161-0390-E	Black

Date Last Revised: 07-05-07

Available from Mouser Electronics
1-800-346-6873 / www.mouser.com

KC-301160

Specifications are subject to change without notice. No liability or warranty implied by this information. Environmental compliance based on producer documentation.