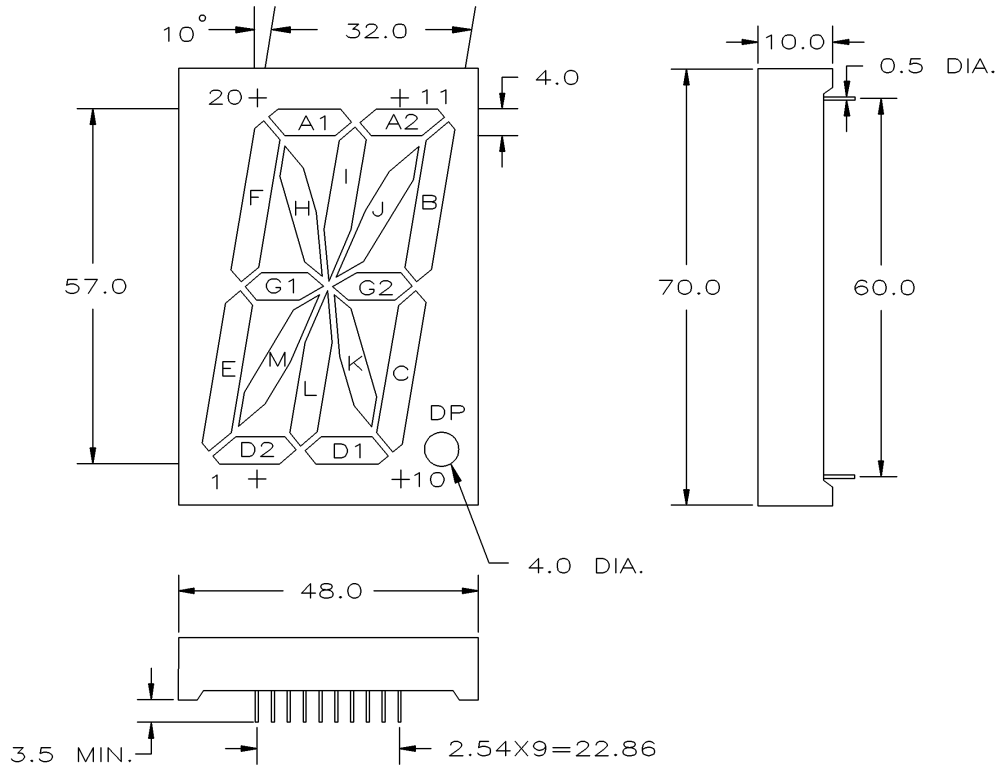


Ledtech ALPHANUMERIC DISPLAY

2.3" SINGLE ALPHANUMERIC DISPLAY Electrical/Optical Characteristics at $T_A=25^\circ\text{C}$ & $I_F=20\text{mA}$

| PART NUMBER | CHIP COLOR | λ_p (nm) | V_F (V) | | I_V (mcd) | |
|---------------------|------------|---------------------|-----------|------|----------------|------|
| | | | DP. | SEG. | MIN. | TYP. |
| | | | TYP. | TYP. | | |
| LA(C)2321-42BEWRN | GREEN | 572 | 2.1 | 4.2 | 9.2 | 15.3 |
| LA(C) 2331-42BEWRN | YELLOW | 589 | 2.1 | 4.2 | 7.4 | 12.4 |
| LA(C) 2341-42BEWRN | ORANGE | 630 | 2.1 | 4.2 | 10.5 | 17.6 |
| LA(C) 2341R-42BRRRN | ORANGE | 630 | 2.1 | 4.2 | 10.5 | 17.6 |
| LA(C) 2351-42BEWRN | RED | 700 | 2.1 | 4.2 | 2.4 | 4.1 |

※NOTE: TEST CONDITION ON SEGMENTS NO. Ax/Gx/Dx ($V_f = 4.2\text{V}$), Dp ($V_f = 2.1\text{V}$) ARE AT @ 20 mA, THE OTHER SEGMENTS ($V_f = 4.2\text{V}$) ARE AT @ 40 mA .



LA23X1-42B
COMMON ANODE

| PIN NO. | FUNCTION | PIN NO. | FUNCTION |
|-----------------|----------|-------------------|----------|
| 1. COMMON ANODE | | 11. COMMON ANODE | |
| 2. CATHODE G1 | | 12. CATHODE G2 | |
| 3. CATHODE E | | 13. CATHODE B | |
| 4. CATHODE D2 | | 14. CATHODE A2 | |
| 5. CATHODE M | | 15. CATHODE J | |
| 6. CATHODE L | | 16. CATHODE I | |
| 7. CATHODE D1 | | 17. CATHODE A1 | |
| 8. CATHODE K | | 18. CATHODE H | |
| 9. CATHODE C | | 19. CATHODE F | |
| 10. CATHODE DP | | 20. NO CONNECTION | |

LC23X1-42B
COMMON CATHODE

| PIN NO. | FUNCTION | PIN NO. | FUNCTION |
|-------------------|----------|--------------------|----------|
| 1. COMMON CATHODE | | 11. COMMON CATHODE | |
| 2. ANODE G1 | | 12. ANODE G2 | |
| 3. ANODE E | | 13. ANODE B | |
| 4. ANODE D2 | | 14. ANODE A2 | |
| 5. ANODE M | | 15. ANODE J | |
| 6. ANODE L | | 16. ANODE I | |
| 7. ANODE D1 | | 17. ANODE A1 | |
| 8. ANODE K | | 18. ANODE H | |
| 9. ANODE C | | 19. ANODE F | |
| 10. ANODE DP | | 20. NO CONNECTION | |