

MICRO

ELECTRON

LED BACKLIGHT
FOR LCD DISPLAY

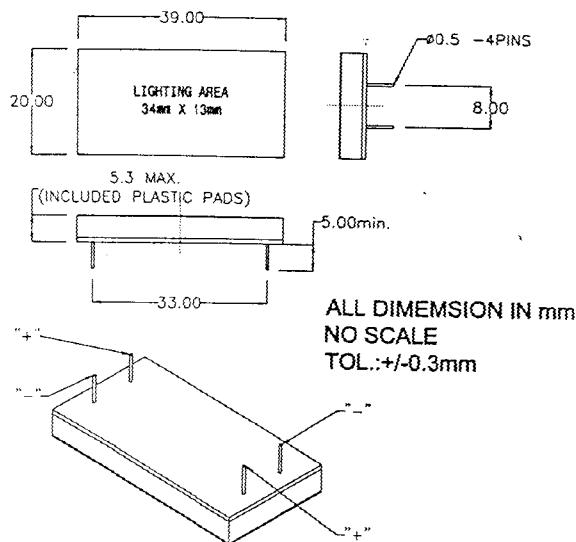
ABSOLUTE MAXIMUM RATINGS

Forward Current	IF	60mA
Reverse Voltage	VR	20V
Operating Temperature	Topr	-20 to +70°C
Storage Temperature	Tstg	-30 to +80°C

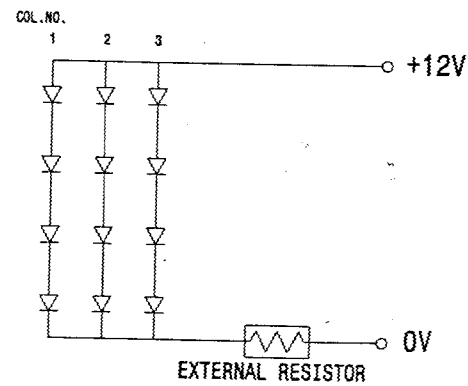
ELECTRO-OPTICAL CHARACTERISTICS (Ta=25°C)

PARAMETER	SYMBOL	MIN	TYP	MAX	UNIT	CONDITIONS
Forward Voltage	VF	7.6	8.2	8.8	V	IF=30mA
Reverse Current	IR			30	μA	VR=10V
Peak Wavelength	λp		565		nm	IF=30mA
Spectral Line Half Width	Δλ		40		nm	IF=30mA
Brightness	B	60			cd/m ²	IF=30mA

MECHANICAL OUTLINE



CIRCUIT DIAGRAM



MICRO ELECTRONICS LTD.

38, Hung To Road, Microtron Building, Kwun Tong, Kowloon, Hong Kong.

Kwun Tong P.O. Box 69477 Hong Kong. Fax No. 2341 0321 Telex: 43510 Micro Hx. Tel: 2343 0181-5

Rev A