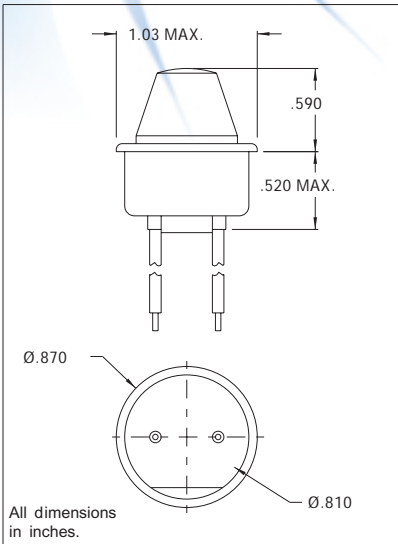


WORLDWIDE



2620T, 2621T, 2622T and 2623T Series Non-Relampable Neon Indicator Lights

DESCRIPTION AND FEATURES



Mounting: Supplied with push-on speednut SN2089.
Mounting hole pattern on page SP2.

Wire Leads: No.22 AWG (105°C), 4.40/4.80 long, stripped .430/.570.

Lens: Polycarbonate

Bezel: Polished stainless steel.
For black finish add "X" after the series letter(s).

Housing: White Nylon

| Lens Color | Neon | |
|------------|---------------------------|---------------------------|
| | Model No. (105-125VAC) | Model No. (208-250VAC) |
| Red | 2620T1 | 2621T1 |
| Amber | 2620T3 | 2621T3 |
| Green | 2622T5* | 2623T5* |
| Lamp used | C2A+R esistor | |

* Incorporates G2B lamp and resistor.
Underwriters Laboratories (UL) File No. E20325
Canadian Standards Association (CSA) File No. LR13346

2620T, 2621T, 2622T and 2623T Series
Non-Relampable Neon Indicator Lights



America:
CML Innovative Technologies, Inc.
147 Central Avenue
Hackensack, NJ 07601 -USA
Tel:1-201-489 -8989
Fax:1-201-489 -6911
e-mail:americas@cml-it.com

Europe:
CML Technologies GmbH &Co.KG
Robert-Bunsen-Str.1
67098 Bad Dürkheim -GERMANY
Tel:+49 (0)6322 9567-0
Fax:+49 (0)6322 9567-88
e-mail:europa@cml-it.com

Asia:
CML Innovative Technologies, Inc.
61 Aida Street
Singapore 459975
Tel:(65)9630 -5003
e-mail:asia@cml-it.com