



PA12 · PA12A

POWER OPERATIONAL AMPLIFIERS

FEATURES

- LOW THERMAL RESISTANCE - 1.4°C/W
- CURRENT FOLDOVER PROTECTION - NEW
- HIGH TEMPERATURE VERSION - PA12H
- EXCELLENT LINEARITY - Class A/B Output
- WIDE SUPPLY RANGE - ±10V to ±50V
- HIGH OUTPUT CURRENT - Up to ±15A Peak

APPLICATIONS

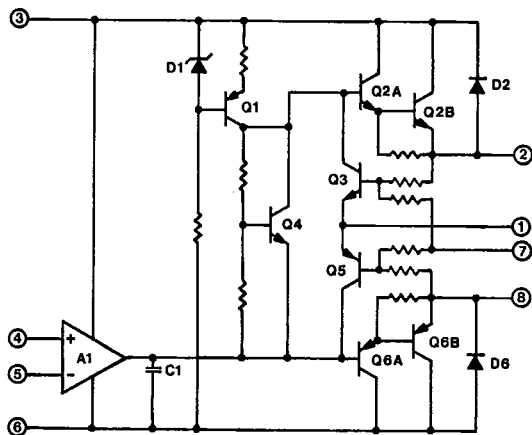
- MOTOR, VALVE AND ACTUATOR CONTROL
- MAGNETIC DEFLECTION CIRCUITS UP TO 10A
- POWER TRANSDUCERS UP TO 100KHz
- TEMPERATURE CONTROL UP TO 360W
- PROGRAMMABLE POWER SUPPLIES UP TO 90V
- AUDIO AMPLIFIERS UP TO 120W RMS

DESCRIPTION

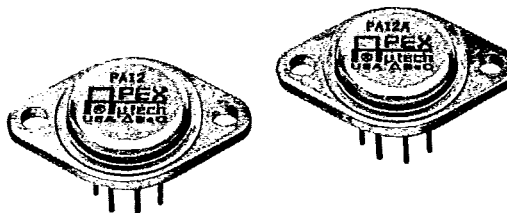
The PA12 is a state of the art high voltage, very high output current operational amplifier designed to drive resistive, inductive and capacitive loads. The complementary darlington emitter follower output stage is protected against transient inductive kickback. For optimum linearity especially at low levels, the output stage is biased for class A/B operation using a thermistor compensated base-emitter voltage multiplier circuit. The safe operating area (SOA) can be observed for all operating conditions by selection of user programmable current limiting resistors. For continuous operation under load, a heatsink of proper rating is recommended.

This hybrid integrated circuit utilizes thick film (cermet) resistors, ceramic capacitors and semiconductor chips to maximize reliability, minimize size and give top performance. Ultrasonically bonded aluminum wires provide reliable interconnections at all operating temperatures. The 8 pin TO-3 package is hermetically sealed and electrically isolated. The use of compressible isolation washers may void the warranty.

EQUIVALENT SCHEMATIC



T-79-23



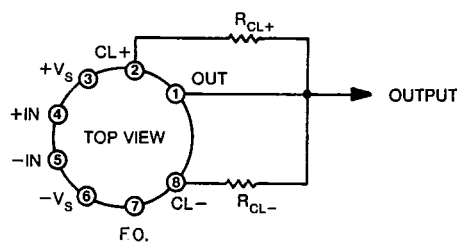
POWER RATING

Not all vendors use the same method to rate the power handling capability of a Power Op Amp. APEX rates the internal dissipation, which is consistent with rating methods used by transistor manufacturers and gives conservative results. Rating delivered power is highly application dependent and therefore can be misleading. For example, the 125W internal dissipation rating of the PA12 could be expressed as an output rating of 250W for audio (sine wave) or as 440W if using a single ended DC load. Please note that all vendors rate maximum power using an infinite heatsink.

THERMAL STABILITY

APEX has eliminated the tendency of class A/B output stages toward thermal runaway and thus has vastly increased amplifier reliability. This feature, not found in most other Power Op Amps, was pioneered by APEX in 1981 using thermistors which assure a negative temperature coefficient in the quiescent current. The reliability benefits of this added circuitry far outweigh the slight increase in component count.

EXTERNAL CONNECTIONS



PA12 ABSOLUTE MAXIMUM RATINGS

T-79-23

PA12/PA12A	
SUPPLY VOLTAGE, +V _s to -V _s	100V
OUTPUT CURRENT, within SOA	15A
POWER DISSIPATION, internal	125W
INPUT VOLTAGE, differential	±V _s -3V
INPUT VOLTAGE, common-mode	±V _s
TEMPERATURE, pin solder-10s	300°C
TEMPERATURE, junction ¹	200°C
TEMPERATURE RANGE, storage	-65°C to +150°C
OPERATING TEMPERATURE RANGE, case	-55°C to +125°C

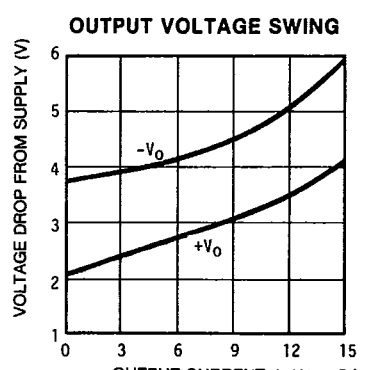
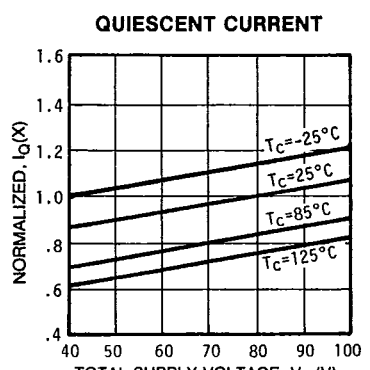
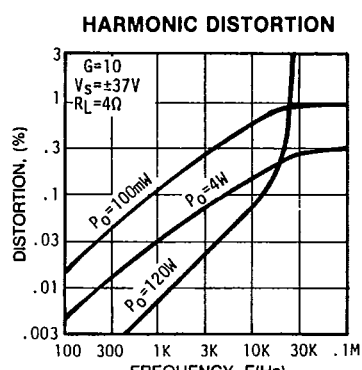
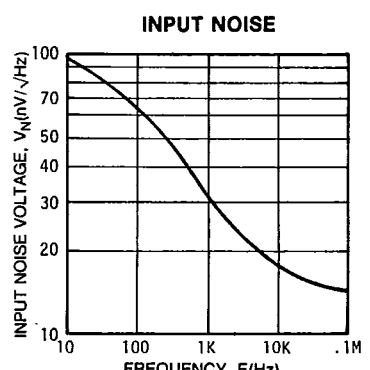
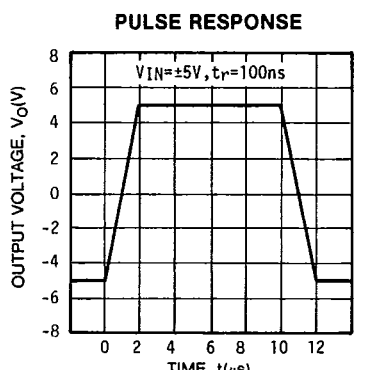
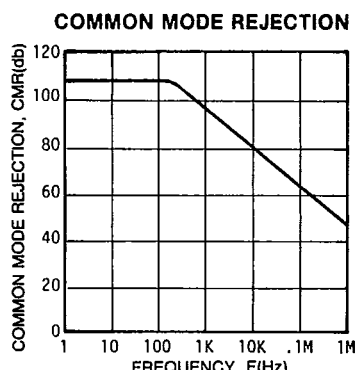
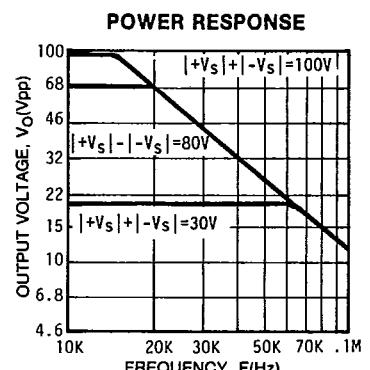
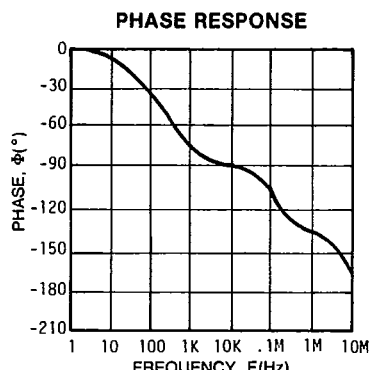
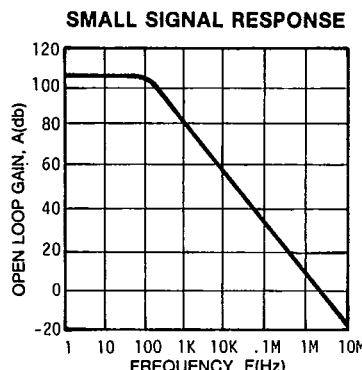
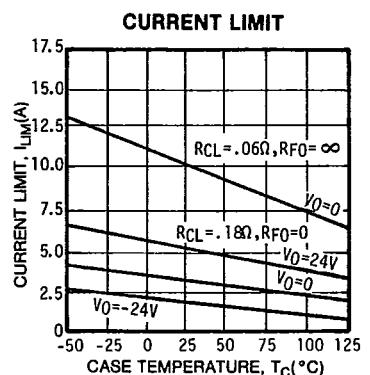
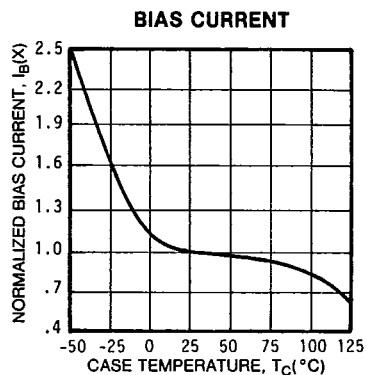
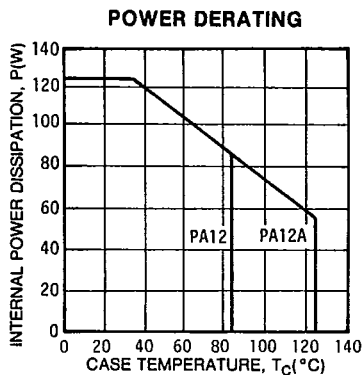
SPECIFICATIONS

PARAMETER	TEST CONDITIONS ²	PA12			PA12A			UNITS
		MIN	TYP	MAX	MIN	TYP	MAX	
INPUT								
OFFSET VOLTAGE, initial	T _c = 25°C		±2	±6		±1	±3	mV
OFFSET VOLTAGE, vs. temperature	Full temperature range		±10	±65		*	±40	μV/°C
OFFSET VOLTAGE, vs. supply	T _c = 25°C		±30	±200		*	*	μV/V
OFFSET VOLTAGE, vs. power	T _c = 25°C		±20			*		μV/W
BIAS CURRENT, initial	T _c = 25°C		12	30		10	20	nA
BIAS CURRENT, vs. temperature	Full temperature range		±50	±400		*	*	pA/°C
BIAS CURRENT, vs. supply	T _c = 25°C		±10			*		pA/V
OFFSET CURRENT, initial	T _c = 25°C		±12	±30		±5	±10	nA
OFFSET CURRENT, vs. temperature	Full temperature range		±50			*	*	pA/°C
INPUT IMPEDANCE, dc	T _c = 25°C		200			*		MΩ
INPUT CAPACITANCE	T _c = 25°C		3			*		pF
COMMON-MODE VOLTAGE RANGE ³	Full temperature range	±V _s -5	±V _s -3		*	*		V
COMMON-MODE REJECTION, dc	Full temp. range, V _{CM} = ±V _s -6V	74	100		*	*		db
GAIN								
OPEN LOOP GAIN at 10Hz	T _c = 25°C, 1KΩ load		96	110		*	*	db
OPEN LOOP GAIN at 10Hz	Full temp. range, 8Ω load		108			*	*	db
GAIN BANDWIDTH PRODUCT at 1MHz	T _c = 25°C, 8Ω load		4			*	*	MHz
POWER BANDWIDTH	T _c = 25°C, 8Ω load	13	20			*	*	kHz
PHASE MARGIN	Full temp. range, 8Ω load		20			*	*	°
OUTPUT								
VOLTAGE SWING ³	T _c = 25°C, PA12=10A, PA12A=15A	±V _s -6				*		V
VOLTAGE SWING ³	T _c = 25°C, I _o = 5A	±V _s -5				*		V
VOLTAGE SWING ³	Full temp. range, I _o = 80mA	±V _s -5				*		V
CURRENT, peak	T _c = 25°C	10			15			A
SETTLING TIME to .1%	T _c = 25°C, 2V step		2			*		μs
SLEW RATE	T _c = 25°C	2.5	4			*		V/μs
CAPACITIVE LOAD	Full temp. range, G = 1			1.5			*	nF
CAPACITIVE LOAD	Full temp. range, G > 10			SOA			*	
POWER SUPPLY								
VOLTAGE	Full temperature range	±10	±40	±45	*	*	±50	V
CURRENT, quiescent	T _c = 25°C		25	50		*	*	mA
THERMAL								
RESISTANCE, ac ⁴ junction to case	T _c = -55 to +125°C, F > 60Hz		.8	.9		*	*	°C/W
RESISTANCE, dc junction to case	T _c = -55 to +125°C		1.25	1.4		*	*	°C/W
RESISTANCE, junction to air	T _c = -55 to +125°C		30			*	*	°C/W
TEMPERATURE RANGE, case	Meets full range specification	-25		+85	-55		+125	°C

- NOTES:**
- * The specification of PA12A is identical to the specification for PA12 in applicable column to the left.
 - 1. Long term operation at the maximum junction temperature will result in reduced product life. Derate internal power dissipation to achieve high MTF.
 - 2. The power supply voltage for all tests is ±40, unless otherwise noted as a test condition.
 - 3. +V_s and -V_s denote the positive and negative supply rail respectively. Total V_s is measured from +V_s to -V_s.
 - 4. Rating applies if the output current alternates between both output transistors at a rate faster than 60Hz.
- CAUTION:** The internal substrate contains beryllia (BeO). Do not break the seal. If broken, do not crush, machine, or subject to temperatures in excess of 850°C to avoid generating toxic fumes.

PA12 TYPICAL PERFORMANCE GRAPHS

T-79-23



PA12 OPERATING CONSIDERATIONS

T-79-23

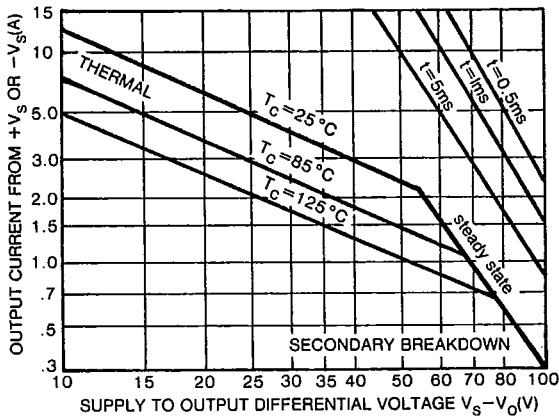
GENERAL

Please read the "General Operating Considerations" section, which covers stability, supplies, heatsinking, mounting, current limit, SOA interpretation, and specification interpretation. Additional information can be found in the applications notes. For information on the package outline, heatsinks, and mounting hardware, consult the "Accessory and Package Mechanical Data" section of the handbook.

SAFE OPERATING AREA (SOA)

- The output stage of most power amplifiers has 3 distinct limitations:
1. The current handling capability of the transistor geometry and the wire bonds.
 2. The secondary breakdown effect which occurs whenever the simultaneous collector current and collector-emitter voltage exceeds specified limits.
 3. The junction temperature of the output transistors.

SAFE OPERATING AREA (SOA)



The SOA curves combine the effect of all limits for this Power Op Amp. For a given application, the direction and magnitude of the output current should be calculated or measured and checked against the SOA curves. This is simple for resistive loads but more complex for reactive and EMF generating loads. The following guidelines may save extensive analytical efforts:

1. Capacitive and dynamic* inductive loads up to the following maximums are safe with the current limits set as specified:

±Vs	CAPACITIVE LOAD		INDUCTIVE LOAD	
	ILIM = 5A	ILIM = 10A	ILIM = 5A	ILIM = 10A
50V	200µF	125µF	5mH	2.0mH
40V	500µF	350µF	15mH	3.0mH
35V	2.0mF	850µF	50mH	5.0mH
30V	7.0mF	2.5mF	150mH	10mH
25V	25mF	10mF	500mH	20mH
20V	60mF	20mF	1,000mH	30mH
15V	150mF	60mF	2,500mH	50mH

*If the inductive load is driven near steady state conditions, allowing the output voltage to drop more than 8V below the supply rail with ILIM = 15A or 25V below the supply rail with ILIM = 5A while the amplifier is current limiting, the inductor should be capacitively coupled or the current limit must be lowered to meet SOA criteria.

2. The amplifier can handle any EMF generating or reactive load and short circuits to the supply rail or shorts to common if the current limits are set as follows at Tc = 25°C:

±Vs	SHORT TO ±Vs C, L, OR EMF LOAD	SHORT TO COMMON
50V	.30A	2.4A
40V	.58A	2.9A
35V	.87A	3.7A
30V	1.5A	4.1A
25V	2.4A	4.9A
20V	2.9A	6.3A
15V	4.2A	8.0A

These simplified limits may be exceeded with further analysis using the operating conditions for a specific application.

3. The output stage is protected against transient flyback. However, for protection against sustained, high energy flyback, external fast-recovery diodes should be used.

CURRENT LIMITING

To use standard current limiting, leave Pin 7 open and proceed per "General Operating Considerations" section of the handbook, where initial setting and variation with temperature are described. Foldover action is described in detail in Application Note 9.

For certain applications, foldover protection allows for increased output current as the output of the Power Op Amp swings close to the supply rail. This function can be activated by connecting pin 7 directly or through a resistor to ground, and controlled by the following equation:

$$I_{LIM} = \frac{.65 + \frac{.28 V_o}{20 + R_{FO}}}{R_{CL} + .01^{**}} \quad (1)$$

Where:

- ILIM is the current limit, in Amps, at a given output voltage Vo.
- RFO is the current foldover resistor pin 7 to ground in KΩ.
- RCL is the current limit resistor in Ω.
- Vo is the instantaneous output voltage in V.*

*The basic equation assumes Vo and the current carrying supply are of the same polarity. If these polarities differ, assign Vo a negative value.

** .01Ω = wire bond and pin resistance to RCL connections.

PROCEDURE

1. Select RCL to provide a safe current limit at Vo = 0:

$$R_{CL} (\Omega) = (.65/I_{LIM}) - .01 \quad (2)$$

2. Find the current limit for the maximum output voltage swing and pin 7 connected to ground/common:

$$I_{LIM} = \frac{.65 + \frac{.28 V_o}{20}}{R_{CL} + .01} \quad (3)$$

This is the highest current limit possible at maximum output. It may be decreased without affecting the short circuit current limit by putting a resistor in series with pin 7 to ground.

The following equation can be used to calculate RFO (KΩ) using a lower current limit:

$$R_{FO} = \frac{.28 V_o}{I_{LIM} (R_{CL} + .01) - .65} - 20 \quad (4)$$

3. To calculate the current limit at any output voltage (Vo), use equation "one". If Vo is of opposite polarity to the current carrying supply, assign Vo a negative value and check the calculated current against the SOA graph.



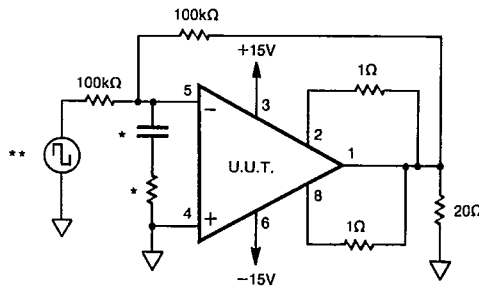
T-79-23

PA12M

TABLE 4 — GROUP A INSPECTION

SG	PARAMETER	SYMBOL	TEMP	PWR	TEST CONDITIONS	MIN	MAX	UNITS
1	Quiescent Current	I_Q	25°C	±40V	$V_{IN} = 0, G = 100, R_{CL} = .1\Omega$		50	mA
1	Input Offset Voltage	V_{OS}	25°C	±40V	$V_{IN} = 0, G = 100$		±6	mV
1	Input Offset Voltage	V_{OS}	25°C	±10V	$V_{IN} = 0, G = 100$		±12	mV
1	Input Offset Voltage	V_{OS}	25°C	±45V	$V_{IN} = 0, G = 100$		±7	mV
1	Input Bias Current, +IN	$+I_B$	25°C	±40V	$V_{IN} = 0, G = 100$		±30	nA
1	Input Bias Current, -IN	$-I_B$	25°C	±40V	$V_{IN} = 0, G = 100$		±30	nA
1	Input Offset Current	I_{OS}	25°C	±40V	$V_{IN} = 0, G = 100$		±30	nA
3	Quiescent Current	I_Q	-55°C	±40V	$V_{IN} = 0, G = 100, R_{CL} = .1\Omega$		100	mA
3	Input Offset Voltage	V_{OS}	-55°C	±40V	$V_{IN} = 0, G = 100$		±11.2	mV
3	Input Offset Voltage	V_{OS}	-55°C	±10V	$V_{IN} = 0, G = 100$		±17.2	mV
3	Input Offset Voltage	V_{OS}	-55°C	±45V	$V_{IN} = 0, G = 100$		±12.2	mV
3	Input Bias Current, +IN	$+I_B$	-55°C	±40V	$V_{IN} = 0, G = 100$		±62	nA
3	Input Bias Current, -IN	$-I_B$	-55°C	±40V	$V_{IN} = 0, G = 100$		±62	nA
3	Input Offset Current	I_{OS}	-55°C	±40V	$V_{IN} = 0, G = 100$		±62	nA
2	Quiescent Current	I_Q	125°C	±40V	$V_{IN} = 0, G = 100, R_{CL} = .1\Omega$		50	mA
2	Input Offset Voltage	V_{OS}	125°C	±40V	$V_{IN} = 0, G = 100$		±12.5	mV
2	Input Offset Voltage	V_{OS}	125°C	±10V	$V_{IN} = 0, G = 100$		±18.5	mV
2	Input Offset Voltage	V_{OS}	125°C	±45V	$V_{IN} = 0, G = 100$		±13.5	mV
2	Input Bias Current, +IN	$+I_B$	125°C	±40V	$V_{IN} = 0, G = 100$		±70	nA
2	Input Bias Current, -IN	$-I_B$	125°C	±40V	$V_{IN} = 0, G = 100$		±70	nA
2	Input Offset Current	I_{OS}	125°C	±40V	$V_{IN} = 0, G = 100$		±70	nA
4	Output Voltage, $I_O = 10A$	V_O	25°C	±16V	$R_L = 1\Omega$	10		V
4	Output Voltage, $I_O = 80mA$	V_O	25°C	±45V	$R_L = 500\Omega$	40		V
4	Output Voltage, $I_O = 5A$	V_O	25°C	±35V	$R_L = 6\Omega$	30		V
4	Current Limits	I_{CL}	25°C	±14V	$R_L = 1\Omega, R_{CL} = .1\Omega$	5	7.9	A
4	Stability/Noise	E_N	25°C	±15V	$R_L = 500\Omega, G = 1, C_L = 1.5nF$		1	mV
4	Slew Rate	SR	25°C	±40V	$R_L = 500\Omega$	2.5	10	V/ μs
4	Open Loop Gain	A_{OL}	25°C	±40V	$R_L = 500\Omega, f = 10Hz$		96	db
4	Common-mode Rejection	CMR	25°C	±15V	$R_L = 500\Omega, f = DC, V_{CM} = \pm 9V$		74	db
6	Output Voltage, $I_O = 8A$	V_O	-55°C	±14V	$R_L = 1\Omega$	8		V
6	Output Voltage, $I_O = 80mA$	V_O	-55°C	±45V	$R_L = 500\Omega$	40		V
6	Stability/Noise	E_N	-55°C	±40V	$R_L = 500\Omega, G = 1, C_L = 1.5nF$		1	mV
6	Slew Rate	SR	-55°C	±40V	$R_L = 500\Omega$	2.5	10	V/ μs
6	Open Loop Gain	A_{OL}	-55°C	±40V	$R_L = 500\Omega, f = 10Hz$		96	db
6	Common-mode Rejection	CMR	-55°C	±15V	$R_L = 500\Omega, f = DC, V_{CM} = \pm 9V$		74	db
5	Output Voltage, $I_O = 8A$	V_O	125°C	±14V	$R_L = 1\Omega$	8		V
5	Output Voltage, $I_O = 80mA$	V_O	125°C	±45V	$R_L = 500\Omega$	40		V
5	Stability/Noise	E_N	125°C	±40V	$R_L = 500\Omega, G = 1, C_L = 1.5nF$		1	mV
5	Slew Rate	SR	125°C	±40V	$R_L = 500\Omega$	2.5	10	V/ μs
5	Open Loop Gain	A_{OL}	125°C	±40V	$R_L = 500\Omega, f = 10Hz$		96	db
5	Common-mode Rejection	CMR	125°C	±15V	$R_L = 500\Omega, f = DC, V_{CM} = \pm 9V$		74	db

BURN IN CIRCUIT:



*These components are used to stabilize device due to poor high frequency characteristics of burn in board.

**Input signals are calculated to result in internal power dissipation of approximately 2.1W at case temperature = 125°C.



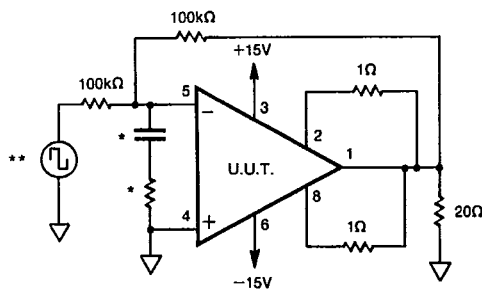
PA120Q

T-79-23

100% TEST TABLE

SG	PARAMETER	SYMBOL	TEMP	PWR	TEST CONDITIONS	MIN	MAX	UNITS
1	Quiescent Current	I_Q	25°C	±40V	$V_{IN} = 0, G = 100, R_{CL} = .1\Omega$		50	mA
1	Input Offset Voltage	V_{OS}	25°C	±40V	$V_{IN} = 0, G = 100$		±6	mV
1	Input Offset Voltage	V_{OS}	25°C	±10V	$V_{IN} = 0, G = 100$		±12	mV
1	Input Offset Voltage	V_{OS}	25°C	±45V	$V_{IN} = 0, G = 100$		±7	mV
1	Input Bias Current, +IN	$+I_B$	25°C	±40V	$V_{IN} = 0, G = 100$		±30	nA
1	Input Bias Current, -IN	$-I_B$	25°C	±40V	$V_{IN} = 0, G = 100$		±30	nA
1	Input Offset Current	I_{OS}	25°C	±40V	$V_{IN} = 0, G = 100$		±30	nA
3	Quiescent Current	I_Q	-25°C	±40V	$V_{IN} = 0, G = 100, R_{CL} = .1\Omega$		100	mA
3	Input Offset Voltage	V_{OS}	-25°C	±40V	$V_{IN} = 0, G = 100$		±9.2	mV
3	Input Offset Voltage	V_{OS}	-25°C	±10V	$V_{IN} = 0, G = 100$		±15.2	mV
3	Input Offset Voltage	V_{OS}	-25°C	±45V	$V_{IN} = 0, G = 100$		±10.2	mV
3	Input Bias Current, +IN	$+I_B$	-25°C	±40V	$V_{IN} = 0, G = 100$		±50	nA
3	Input Bias Current, -IN	$-I_B$	-25°C	±40V	$V_{IN} = 0, G = 100$		±50	nA
3	Input Offset Current	I_{OS}	-25°C	±40V	$V_{IN} = 0, G = 100$		±50	nA
2	Quiescent Current	I_Q	85°C	±40V	$V_{IN} = 0, G = 100, R_{CL} = .1\Omega$		50	mA
2	Input Offset Voltage	V_{OS}	85°C	±40V	$V_{IN} = 0, G = 100$		±9.9	mV
2	Input Offset Voltage	V_{OS}	85°C	±10V	$V_{IN} = 0, G = 100$		±15.9	mV
2	Input Offset Voltage	V_{OS}	85°C	±45V	$V_{IN} = 0, G = 100$		±10.9	mV
2	Input Bias Current, +IN	$+I_B$	85°C	±40V	$V_{IN} = 0, G = 100$		±54	nA
2	Input Bias Current, -IN	$-I_B$	85°C	±40V	$V_{IN} = 0, G = 100$		±54	nA
2	Input Offset Current	I_{OS}	85°C	±40V	$V_{IN} = 0, G = 100$		±54	nA
4	Output Voltage, $I_O = 10A$	V_O	25°C	±16V	$R_L = 1\Omega$	10		V
4	Output Voltage, $I_O = 80mA$	V_O	25°C	±45V	$R_L = 500\Omega$	40		V
4	Output Voltage, $I_O = 5A$	V_O	25°C	±35V	$R_L = 6\Omega$	30		V
4	Current Limits	I_{CL}	25°C	±14V	$R_L = 1\Omega, R_{CL} = .1\Omega$	5	7.9	A
4	Stability/Noise	E_N	25°C	±15V	$R_L = 500\Omega, G = 1, C_L = 1.5nF$		1	mV
4	Slew Rate	SR	25°C	±40V	$R_L = 500\Omega$	2.5	10	V/ μs
4	Open Loop Gain	A_{OL}	25°C	±40V	$R_L = 500\Omega, f = 10Hz$	96		db
4	Common-mode Rejection	CMR	25°C	±15V	$R_L = 500\Omega, f = DC, V_{CM} = \pm 9V$	74		db
6	Output Voltage, $I_O = 10A$	V_O	-25°C	±16V	$R_L = 1\Omega$	10		V
6	Output Voltage, $I_O = 80mA$	V_O	-25°C	±45V	$R_L = 500\Omega$	40		V
6	Output Voltage, $I_O = 5A$	V_O	-25°C	±35V	$R_L = 6\Omega$	30		V
6	Stability/Noise	E_N	-25°C	±40V	$R_L = 500\Omega, G = 1, C_L = 1.5nF$		1	mV
6	Slew Rate	SR	-25°C	±40V	$R_L = 500\Omega$	2.5	10	V/ μs
6	Open Loop Gain	A_{OL}	-25°C	±40V	$R_L = 500\Omega, f = 10Hz$	96		db
6	Common-mode Rejection	CMR	-25°C	±15V	$R_L = 500\Omega, f = DC, V_{CM} = \pm 9V$	74		db
5	Output Voltage, $I_O = 8A$	V_O	85°C	±14V	$R_L = 1\Omega$	8		V
5	Output Voltage, $I_O = 80mA$	V_O	85°C	±45V	$R_L = 500\Omega$	40		V
5	Output Voltage, $I_O = 5A$	V_O	85°C	±35V	$R_L = 6\Omega$	30		V
5	Stability/Noise	E_N	85°C	±40V	$R_L = 500\Omega, G = 1, C_L = 1.5nF$		1	mV
5	Slew Rate	SR	85°C	±40V	$R_L = 500\Omega$	2.5	10	V/ μs
5	Open Loop Gain	A_{OL}	85°C	±40V	$R_L = 500\Omega, f = 10Hz$	96		db
5	Common-mode Rejection	CMR	85°C	±15V	$R_L = 500\Omega, f = DC, V_{CM} = \pm 9V$	74		db

BURN IN CIRCUIT:



*These components are used to stabilize device due to poor high frequency characteristics of burn in board.

**Input signals are calculated to result in internal power dissipation of approximately 2.1W at case temperature = 125°C.



PA12H

POWER OPERATIONAL AMPLIFIERS

FEATURES

- LOW COST 200°C VERSION OF PA12
- OUTPUT CURRENT at 200°C - ±1A
- FULL SPECIFICATIONS -25 to +125°C
- WIDE SUPPLY RANGE - ±10 to ±45V
- CURRENT FOLDOVER PROTECTION
- EXCELLENT LINEARITY - Class A/B Output

APPLICATIONS

- MOTOR, VALVE AND ACTUATOR CONTROL
- POWER TRANSDUCERS UP TO 100KHz
- PROGRAMMABLE POWER SUPPLIES UP TO 80V
- TRANSMISSION LINE DRIVER

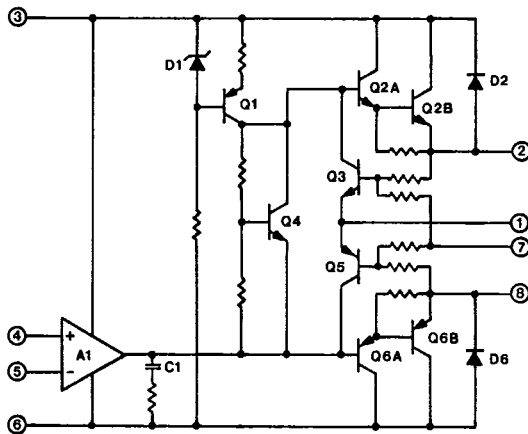
DESCRIPTION

The PA12H is a low cost, high temperature Power Op Amp made especially for short term use in extreme environmental situations such as down hole instrumentation. The amplifier can power mechanical or electronic transducers and can drive the long transmission lines associated with these applications.

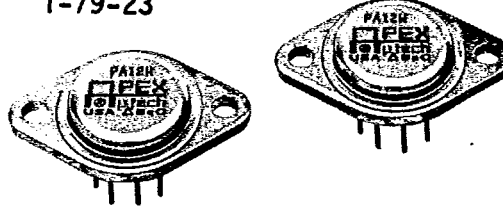
The PA12H, based on the standard PA12's very high power level, leaves a six watt capability after being derated for operation at a case temperature of 200°C. To meet the high temperature requirements for up to 200 hours, polyimid has replaced the standard epoxy for attaching the small signal devices. The melting point of the power transistor attach solder is 264°C.

These hybrid integrated circuits utilize thick film conductors, ceramic capacitors and silicon semiconductors to maximize reliability, minimize size and give top performance. Ultrasonically bonded aluminum wires provide reliable interconnections at all operating temperatures. The 8 pin TO-3 package (see Package Outlines) is hermetically sealed and isolated. The use of compressible isolation washers may void the warranty.

EQUIVALENT SCHEMATIC



T-79-23



SPECIFICATIONS

Specifications of the standard PA12 apply to the PA12H with the exception of the temperature range extensions:

1. The operating and storage temperature ranges extend to +200°C.
2. Static and dynamic tests are performed at +125°C as shown in SG 2 and SG 5 of the military PA12M data sheet.
3. Additional tests at $T_c = 200^\circ\text{C}$:
 - A. Quiescent current = 100mA max at $\pm V_s = 45$.
 - B. Voltage swing = $\pm V_s - 4$ ($I_o = 1A, \pm V_s = 15$).

GENERAL CONSIDERATIONS

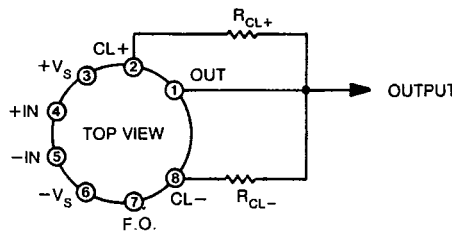
The primary aim of the PA12H is to provide a reasonable level of power output at a minimum cost. To achieve this end, full dynamic tests are performed up to 125°C, with only minimal 100% testing at 200°C. This approach saves nearly an order of magnitude over the cost of a fully tested long life product, but does require recognition of two limitations.

First, input parameters such as voltage offset and bias current are not tested above 125°C. This could lead to accuracy problems if the PA12H is used as a precision computational element. Solutions to this limitation include contacting the factory regarding additional testing at higher temperatures or using high temperature small signal amplifiers for computational tasks.

The second limitation of life span requires the PA12H to be used in short term applications. This requirement is mandated by the low cost design concept. At 200°C component degradation is nearly as severe during storage as during actual operation. This must be taken into account when scheduling actual implementation of the finished package.

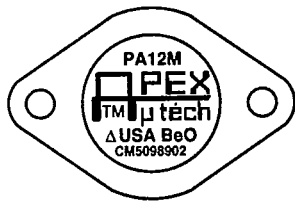
Please consult the PA12 data sheet for basic information on this amplifier; the PA12M data sheet for details on +125°C tests; and Power Operational Amplifier handbook section "General Operating Considerations," for recommendations on supplies, stability, heatsinks and bypassing.

EXTERNAL CONNECTIONS

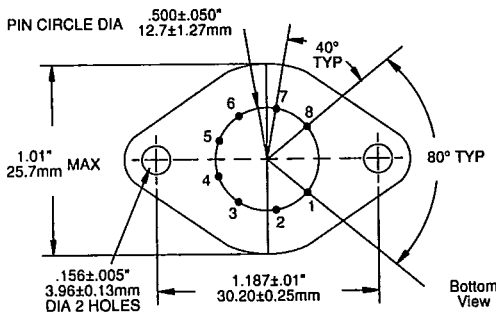
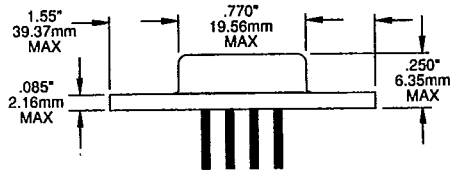


PACKAGE OUTLINE DIMENSIONS

STANDARD 8 PIN TO-3



NOTE: ESD triangle (Δ) on top of package denotes pin 1 location.



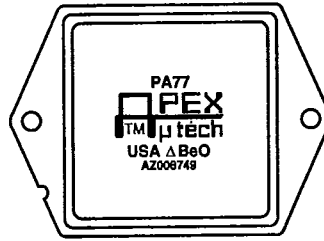
PIN DIAMETER: .967/1.07mm or .038/.042"
 PIN LENGTH: 11.4/12.7mm or .450/.500"
 PIN MATERIAL, STD: Nickel plated alloy 52, solderable
 PIN MATERIAL, MIL: Gold plated alloy 52, solderable
 PACKAGE: Hermetic, nickel plated steel
 WEIGHT: 15 grams or .53 ounces
 ISOLATION: 500VDC any pin to case
 SOCKETS: APEX PN: MS03
 CAGE JACKS: APEX PN: MS02 (Set of 8)
 HEATSINKS: APEX PN: HS01 thru HS05

CAUTION

Recommended mounting torque is 4 – 7 in·lbs (.45 – .79 N·m)

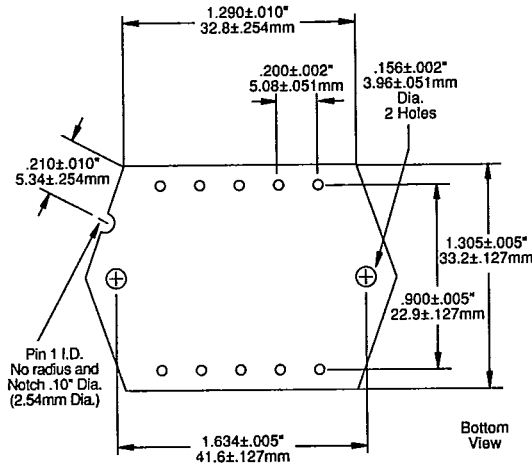
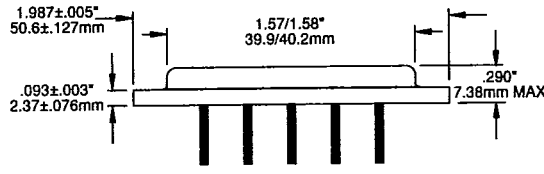
POWER PD10

T-90-20



NOTE: Notch on package base denotes pin 1 location.

PD10/60S



PIN DIAMETER: 1.47/1.58mm or .058/.062"
 PIN LENGTH: 11.4/12.7mm or .450/.500"
 PIN MATERIAL, STD: Nickel plated steel
 PACKAGE: Hermetic, nickel plated steel
 WEIGHT: 36 grams or 1.27 ounces
 ISOLATION: 500VDC any pin to case
 CAGE JACKS: MS04 (Set of 12)

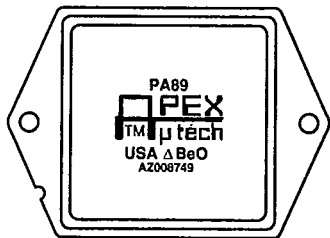
CAUTION

Recommended mounting torque is 8 – 10 in·lbs (.90 – 1.13 N·m)

PACKAGE OUTLINE DIMENSIONS

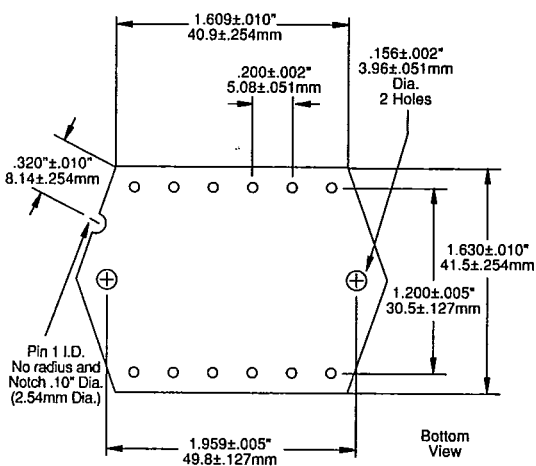
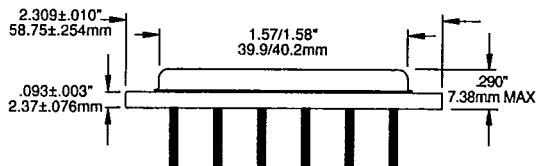
T-90-20

HIGH VOLTAGE PD12



NOTE: Notch on package base denotes pin 1 location.

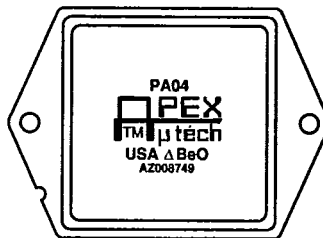
PD12/25S



PIN DIAMETER: .585/.687mm or .023/.027"
 PIN LENGTH: 11.4/12.7mm or .450/.500"
 PIN MATERIAL, STD: Nickel plated steel
 PACKAGE: Hermetic, nickel plated steel
 WEIGHT: 53 grams or 1.87 ounces
 ISOLATION: 1200VDC any pin to case

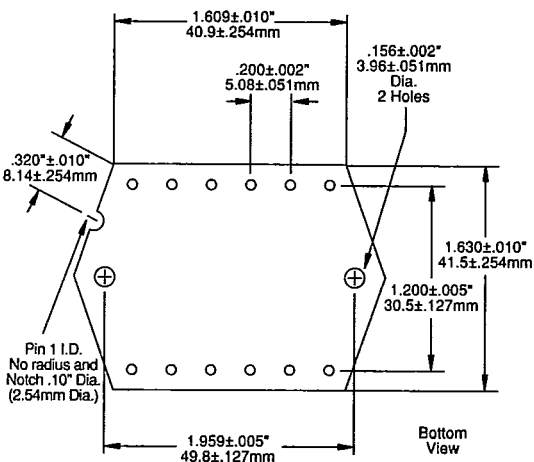
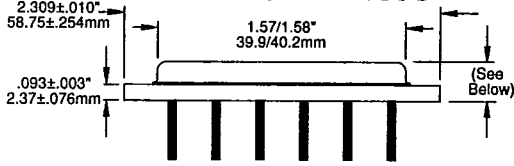
CAUTION
 Recommended mounting torque is 8 – 10 in•lbs (.90 – 1.13 N•m)

HIGH POWER PD12



NOTE: Notch on package base denotes pin 1 location.

PD12/60S & PD12/60C



PIN DIAMETER: 1.47/1.58mm or .058/.062"
 PIN LENGTH: 11.4/12.7mm or .450/.500"
 PIN MATERIAL, STD: Nickel plated steel
 ISOLATION: PD12/60S: 500VDC any pin to case
 PD12/60C: 300VDC any pin to case
 HEIGHT: PD12/60S: 7.38mm or .290" MAX
 PD12/60C: 8.90mm or .350" MAX
 PACKAGE: PD12/60S: Hermetic, nickel plated steel
 PD12/60C: Base: Nickel plated copper
 PD12/60C: Cap: Hermetic, nickel plated steel
 WEIGHT: PD12/60S: 53 grams or 1.87 ounces
 PD12/60C: 58 grams or 2.05 ounces
 CAGE JACKS: Apex PN: MS04 (Set of 12)
 HEAT SINKS: Apex PN: HS06
 MATING SOCKET: Apex PN: MS05

CAUTION Recommended mounting torque is 8–10 in•lbs (.90–1.13 N•m)