

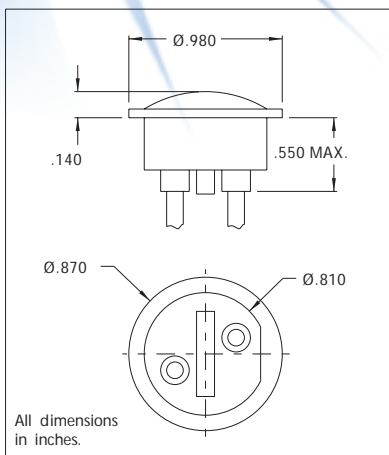
WORLDWIDE



2620K and 2622K Series
Non-Relampable Neon Indicator Light

2620K and 2622K Series Non-Relampable Neon Indicator Light

DESCRIPTION AND FEATURES



Mounting: Supplied with speednut SN2089.
Mounting hole pattern on page SP2.

Wire Leads: No.22 AWG (105°C),
4.40/4.80 long, stripped .430/.570

Lens: Polycarbonate

Bezel: White nylon.
For black finish add "X" after the
series letter(s).

Housing: White Nylon

Lens Color	Neon
	Model No. (105-125VAC) Wire Leads
Red	2620K 1
Amber	2620K 3
White	2620K 3
Green	2622K 5*
Lamp used	C2A+R resistor

*Incorporates G2B lamp and resistor
Underwriters Laboratories (UL) File No. E20325
Canadian Standards Association (CSA) File No. LR13346



America:
CML Innovative Technologies, Inc.
147 Central Avenue
Hackensack, NJ 07601 -USA
Tel: 1-201-489-8989
Fax: 1-201-489-6911
e-mail: americas@cml-it.com

Europe:
CML Technologies GmbH & Co. KG
Robert-Bunsen-Str. 1
67098 Bad Dürkheim - GERMANY
Tel: +49 (0)6322 9567-0
Fax: +49 (0)6322 9567-88
e-mail: europe@cml-it.com

Asia:
CML Innovative Technologies, Inc.
61 Aida Street
Singapore 459975
Tel: (65)9630-5003
e-mail: asia@cml-it.com