

XO5019 Series

2x2 inch, 12.0 Volt, CMOS/Sinewave, OCXO



- Low aging and phase noise
- External or voltage control

Model	Frequency (MHz)	Temperature Range (°C)	Temperature Stability	Aging First Year	Output	Supply Voltage
SC-Cut	10	-20 to +70	$\pm 1.0 \times 10^{-8}$	$\pm 1.5 \times 10^{-7}$	Sinewave	+15 Vdc oven (+12 Vdc osc)
AT-Cut	10	-20 to +70	$\pm 5.0 \times 10^{-8}$	$\pm 2.0 \times 10^{-7}$	Sinewave	+15 Vdc oven (+12 Vdc osc)
Options	5 to 15	See Table		Consult Factory	TTL/CMOS	+10 Vdc to 24 Vdc

Additional Specifications

Aging daily	$\pm 5.0 \times 10^{-10}$ for SC-cut
Turn on	600 mA max
Current	300 mA max @ 25°C steady state
Warm-up time	@ 25°C, to within ± 0.10 ppm of Fo in 2.5 min ± 0.01 ppm in 5 min

Load Stability	$\pm 1.0 \times 10^{-9}$
Aging adjustment	External 10 k pot/voltage
Voltage range	0.5 V to 10 V
Deviation	± 3.0 to 10^{-7}
Slope	Positive

Phase Noise @	(SC-cut)	(AT-cut)
1 Hz	-90 dBc/Hz	-75 dBc/Hz
10 Hz	-120 dBc/Hz	-110 dBc/Hz
100 Hz	-145 dBc/Hz	-140 dBc/Hz
1 kHz	-155 dBc/Hz	-155 dBc/Hz
10 kHz	-160 dBc/Hz	-160 dBc/Hz

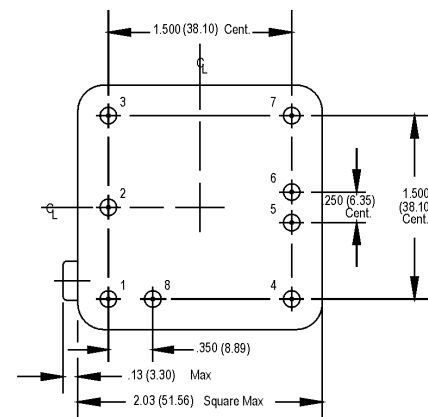
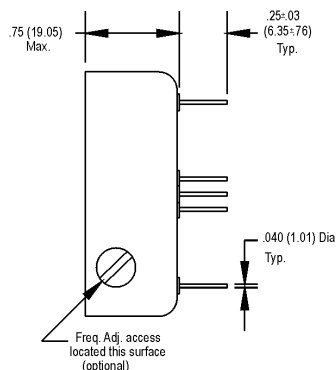
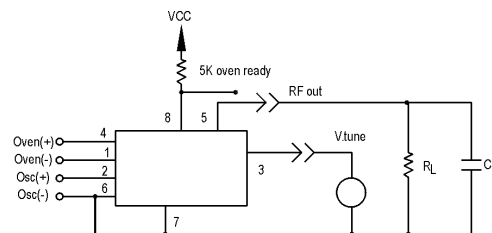
Sinewave Version

Harmonics	-20 dBc max
Spurious	-75 dBc max
Load	50Ω to 3 kΩ
Output level	+7 dBm min into 50Ω

HCMOS Version

Duty cycle	40/60
Load	2 Gates

Optional Temperature Ranges and Frequency Stabilities	Stability Limits	
	SC-cut	AT-cut
0 to +50	$\pm 2.0 \times 10^{-9}$	$\pm 1.0 \times 10^{-8}$
0 to +70	$\pm 3.0 \times 10^{-9}$	$\pm 3.0 \times 10^{-8}$
-10 to +70	$\pm 4.0 \times 10^{-9}$	$\pm 3.0 \times 10^{-8}$
-30 to +70	$\pm 5.0 \times 10^{-9}$	$\pm 5.0 \times 10^{-8}$
-40 to +70	$\pm 7.0 \times 10^{-9}$	$\pm 1.0 \times 10^{-7}$
-55 to +70	$\pm 3.0 \times 10^{-9}$	$\pm 5.0 \times 10^{-7}$



Dimensions are in inches (mm)

Pin connections
1. Oven supply return
2. Oscillator Supply (+)
3. Frequency Adjust
4. Oven supply(+)
5. RF output
6. RF ground & Osc. supply return
7. Case ground
8. Oven Ready (Optional)

Pin numbers shown for ref. only.
Numbers are not marked on unit.

MtronPTI reserves the right to make changes to the product(s) and service(s) described herein without notice. No liability is assumed as a result of their use or application.

Please see www.mtronpti.com for our complete offering and detailed datasheets. Contact us for your application specific requirements: MtronPTI 1-800-762-8800.