



Continental Device India Limited

An ISO/TS16949 and ISO 9001 Certified Company

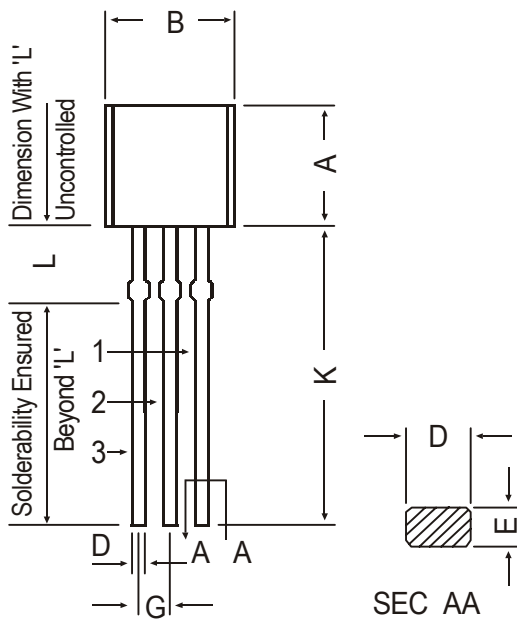
---



# **TO-92 (3 leads) Leaded Thru-hole Plastic Package**

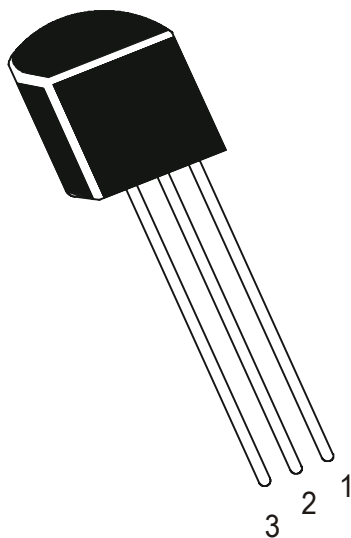
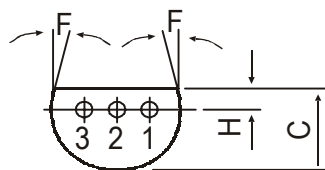
## **Package Outline, Taping and Packaging Information**

**TO-92 Plastic Package**



DIM	MIN.	MAX.
A	4.32	5.33
B	4.45	5.20
C	3.18	4.19
D	0.41	0.55
E	0.35	0.50
F	5 DEG	
G	1.14	1.40
H	1.14	1.53
K	12.70	—
L	1.982	2.082

All dimensions in mm.



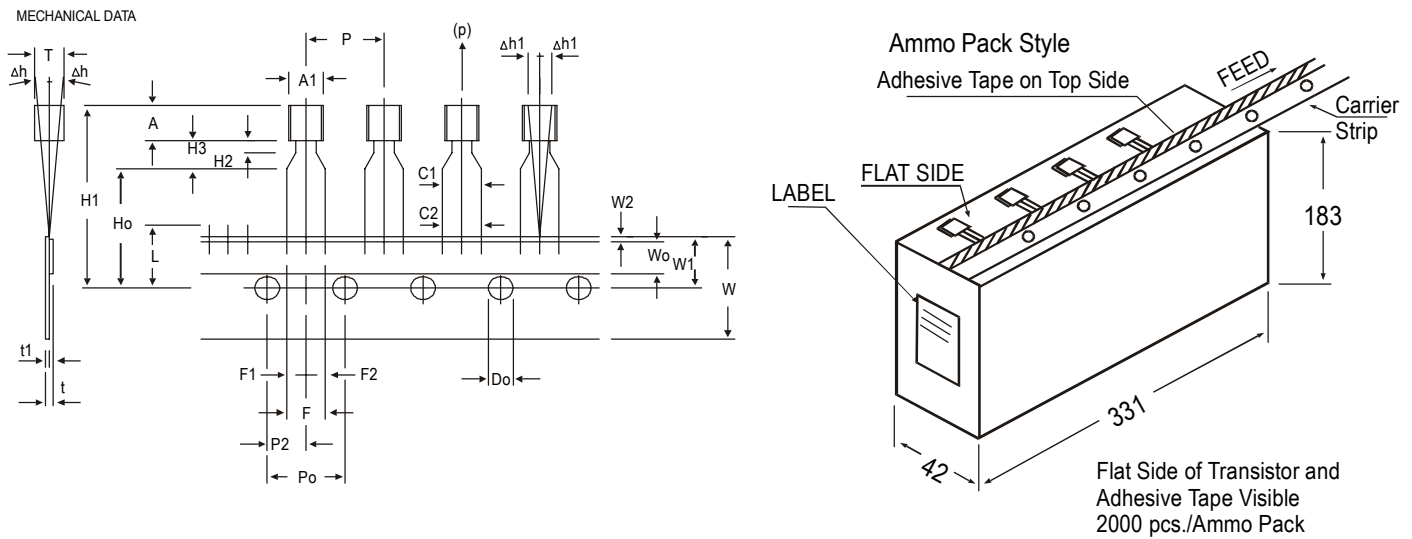
**PIN CONFIGURATION AVAILABLE IN TO - 92**

CDIL CODE STYLE	PIN 1	PIN 2	PIN 3
TO - 92	COLLECTOR	BASE	EMITTER
TO - 92-1	BASE	COLLECTOR	EMITTER
TO - 92-2	BASE	EMITTER	COLLECTOR
TO - 92-3	COLLECTOR	EMITTER	BASE
TO - 92-4	EMITTER	BASE	COLLECTOR

**Packing Detail**

PACKAGE	STANDARD PACK		INNER CARTON BOX		OUTER CARTON BOX		
	Details	Net Weight/Qty	Size	Qty	Size	Qty	Gr Wt
TO-92 Bulk	1K/polybag	200 gm/1K pcs	3" x 7.5" x 7.5"	5K	17" x 15" x 13.5"	80K	23 kgs
TO-92 T&A	2K/ammo box	645 gm/2K pcs	12.5" x 8" x 1.8"	2K	17" x 15" x 13.5"	32K	12.5 kgs

**TO-92 Transistors on Tape and Ammo Pack**



ITEM	SYMBOL	SPECIFICATION				REMARKS
		MIN.	NOM.	MAX.	TOL.	
BODY WIDTH	A1	4.0		4.8		
BODY HEIGHT	A	4.8		5.2		
BODY THICKNESS	T	3.9		4.2		
PITCH OF COMPONENT	P		12.7		%%P1	
FEED HOLE PITCH	Po		12.7		%%P0.3	CUMULATIVE PITCH ERROR 1.0 mm/20 PITCH
FEED HOLE CENTRE TO COMPONENT CENTRE	P2		6.35		%%P0.4 +0.6	TO BE MEASURED AT BOTTOM OF CLINCH
LEADS	F		5.08		-0.2	
COMPONENT ALIGNMENT SIDE VIEW	Δh		0	1.0		AT TOP OF BODY
COMPONENT ALIGNMENT FRONT VIEW	Δh1		0	1.3		AT TOP OF BODY
TAPE WIDTH	W		18		%%P0.5	
HOLD-DOWN TAPE WIDTH	Wo		6		%%P0.2	
HOLE POSITION	W1		9		+0.7 -0.5	
HOLD-DOWN TAPE POSITION	W2		0.5		%%P0.2	
LEAD WIRE CLINCH HEIGHT	Ho		16		%%P0.5	
COMPONENT HEIGHT	H1			23.25		
LENGTH OF SNIPPED LEADS	L			11.0		
FEED HOLE DIAMETER	Do		4		%%P0.2	
TOTAL TAPE THICKNESS	t			1.2		t1 0.3 - 0.6
LEAD - TO - LEAD DISTANCE	F1, F2		2.54		+0.4, -0.1	
STAND OFF	H2	0.45		1.45		
CLINCH HEIGHT	H3			3.0		
LEAD PARALLELISM	C1 - C2			0.22		
PULL - OUT FORCE	(P)	6N				

**NOTES**

1. MAXIMUM ALIGNMENT DEVIATION BETWEEN LEADS NOT TO BE GREATER THAN 0.2 mm.
2. MAXIMUM NON-CUMULATIVE VARIATION BETWEEN TAPE FEED HOLES SHALL NOT EXCEED 1 mm IN 20 PITCHES.
3. HOLDDOWN TAPE NOT TO EXCEED BEYOND THE EDGE(S) OF CARRIER TAPE AND THERE SHALL BE NO EXPOSURE OF ADHESIVE.
4. NO MORE THAN 3 CONSECUTIVE MISSING COMPONENTS IS PERMITTED.
5. A TAPE TRAILER, HAVING AT LEAST THREE FEED HOLES IS REQUIRED AFTER THE LAST COMPONENT.
6. SPLICES SHALL NOT INTERFERE WITH THE SPROCKET FEED HOLES.

### Disclaimer

The product information and the selection guides facilitate selection of the CDIL's Discrete Semiconductor Device(s) best suited for application in your product(s) as per your requirement. It is recommended that you completely review our Data Sheet(s) so as to confirm that the Device(s) meet functionality parameters for your application. The information furnished in the Data Sheet and on the CDIL Web Site/CD are believed to be accurate and reliable. CDIL however, does not assume responsibility for inaccuracies or incomplete information. Furthermore, CDIL does not assume liability whatsoever, arising out of the application or use of any CDIL product; neither does it convey any license under its patent rights nor rights of others. These products are not designed for use in life saving/support appliances or systems. CDIL customers selling these products (either as individual Discrete Semiconductor Devices or incorporated in their end products), in any life saving/support appliances or systems or applications do so at their own risk and CDIL will not be responsible for any damages resulting from such sale(s).

CDIL strives for continuous improvement and reserves the right to change the specifications of its products without prior notice.



CDIL is a registered Trademark of

**Continental Device India Limited**

C-120 Naraina Industrial Area, New Delhi 110 028, India.

Telephone + 91-11-2579 6150, 5141 1112 Fax + 91-11-2579 5290, 5141 1119

email@cdil.com www.cdilsemi.com