

# KMR Series Microminiature Tact Switch for SMT



## Features/Benefits

- Compact size
- Range of 4 actuation forces
- Excellent tactile feel
- Compatible with lead free soldering
- EMC protection
- Extra large actuator

## Typical Applications

- Automotive
- Cellular phones
- Industrial electronics
- Computers & network equipment

## Specification

FUNCTION: momentary action  
CONTACT ARRANGEMENT: 1 make contact = SPST, N.O.  
TERMINALS: Gullwing type for SMT

## Mechanical

MAXIMUM ACTUATING FORCE: 40 N (8.8 lbs) during 25,000 cycles

Type	Operating force Newtons (grams)	Operating life (operations)	Travel
KMR211G/213G	1.0 (100) ± 0.25	200,000	0,20 ± 0,10
KMR221G/223G	2.0 (200) ± 0.50	200,000	0,25 ± 0,10
KMR231G/233G	3.0 (300) ± 0.75	100,000	0,25 ± 0,10
KMR241G/243G	4.0 (400) ± 1.00	100,000	0,30 ± 0,10

## Packaging

Switches are delivered in tape and reels of 7,000 pieces. The reel diameter is 330 (12.992). The tape dimensions conform to the EIA-RS-481 and EC-286-6 norms.

**NOTE:** Part numbers listed above do not represent all possible configurations. For information on specific and custom switches, consult Customer Service Center.

## Electrical

	Silver	Gold
MAXIMUM POWER:	1 VA	0.2 VA
MAXIMUM VOLTAGE:	50 VDC	50 VDC
MAXIMUM CURRENT DC:	50 mA	10 mA
MINIMUM CURRENT DC:	1 mA	1 mA

CONTACT RESISTANCE: ≤ 100 mΩ  
INSULATION RESISTANCE: ≥ 1 GΩ  
BOUNCE TIME: ≤ 1 ms

## Environmental

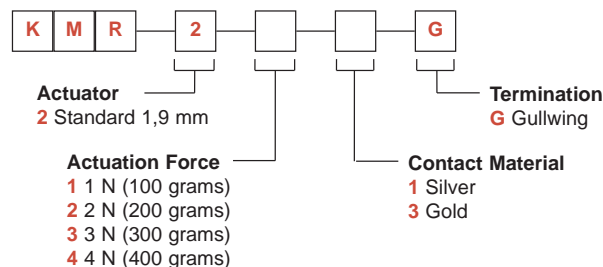
	Silver	Gold
OPERATING TEMPERATURE:	-40°C to 85°C	-40°C to 125°C
STORAGE TEMPERATURE:	-55°C to 85°C	-55°C to 125°C

## Process

Soldering: Infrared reflow in accordance with CECC00802

## How To Order

Our easy build-a-switch concept allows you to mix and match options to create the switch you need. To order, select desired option from each category and place it in the appropriate box.



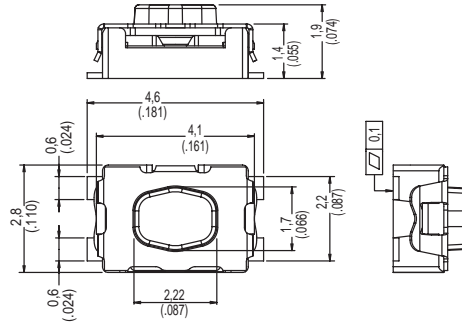
# KMR Series Microminiature Tact Switch for SMT

SERIES

**KMR**

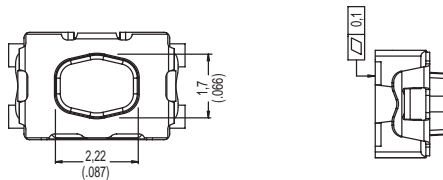


KMR211G



ACTUATOR

**2** STANDARD 1.9 mm



ACTUATION FORCE

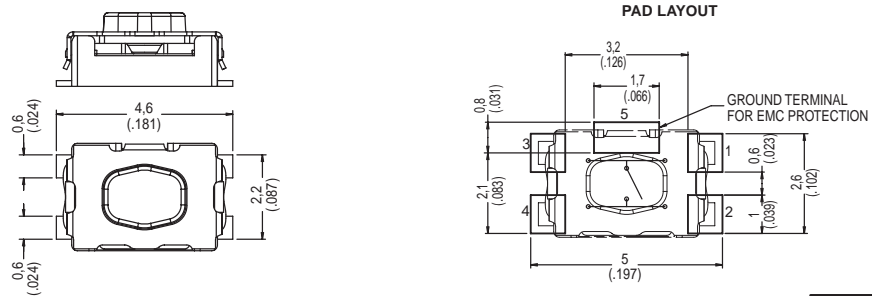
OPTION CODE	FORCE
<b>1</b>	1 N (100 grams)
<b>2</b>	2 N (200 grams)
<b>3</b>	3 N (300 grams)
<b>4</b>	4 N (400 grams)

CONTACT MATERIAL

OPTION CODE	MATERIAL
<b>1</b>	SILVER
<b>3</b>	GOLD

TERMINATION

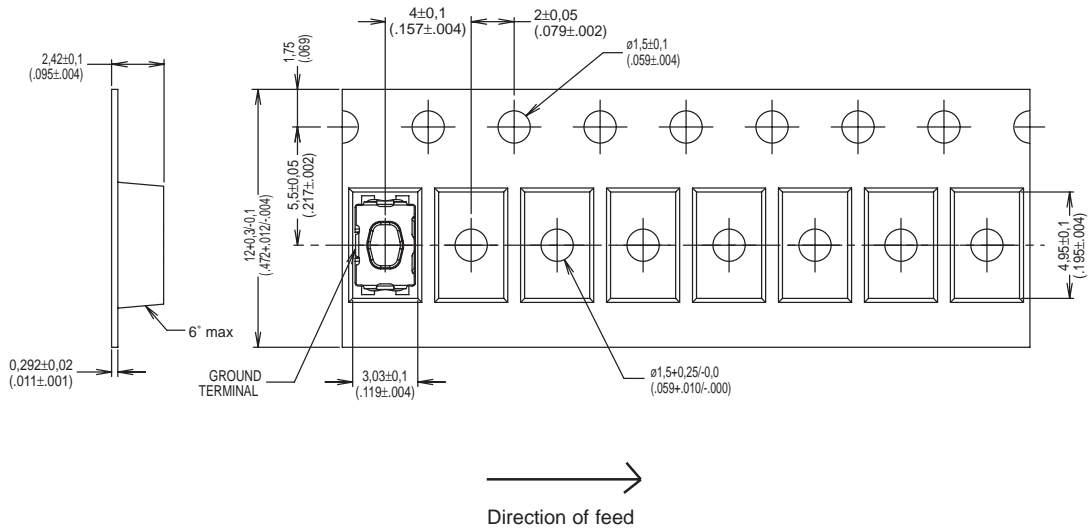
**G** GULLWING



Dimensions are shown: mm (inch)  
Dimensions subject to change

# KMR Series Microminiature Tact Switch for SMT

## TAPE & REEL



B

Tactile Switches