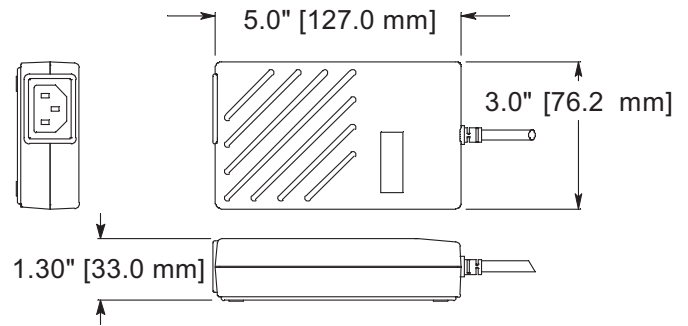




# FW50 series

# 50 Watt AC Adapter



### Features

- Wide range AC input
- Fully regulated output
- High efficiency
- 5 year warranty

### Environmental

- Operating temperature..... 0° C to 40° C
- Storage temperature..... -55° C to 85° C
- Weight = 0.8 lbs

### EMI

Meets FCC class B, CISPR 22 class B

### Safety

- UL           UL1950
- cUL         CSA 22.2 NO. 950
- Nemko      EN 60950
- CE           Marked

### Polarity



### Electrical Specifications

#### Input

- Voltage..... 100 - 240 VAC
- Current..... 1.0 Amp @ 100 VAC
- Frequency..... 47 - 63 Hz
- AC cord..... Optional
- Input connector..... 3 Pin IEC 320 input receptacle

#### Output

- Line regulation..... TYP +/- 1%
- Load regulation..... TYP +/- 5%
- Set point..... +/- 3% at 60% load
- Hold up time..... 20 ms min at full load, 115 VAC
- Over voltage protection..... Built-in
- Over current protection..... Built-in
- Short circuit protection..... Pulsing mode, auto recovery
- Efficiency..... 80% min at full load and 115 VAC
- Transient response..... 2 ms for 50% load change typical
- Ripple/noise (V<sub>p-p</sub>)..... +/- 1% (20 MHz bandwidth)
- Output connector..... Barrel type (5.5 x 2.5 x 9.5 mm)

Model No.	Voltage	Power	Current
FW5012-760-NC	12V	50W	4.15A
FW5018-760-NC	18V	50W	2.75A
FW5024-760-NC	24V	50W	2.10A