

T-57-11

SERIES GR Hi Reliability Isolated Regulated DC-DC Converters

TYPICAL CHARACTERISTICS FOR ALL MODELS:

Test conditions: 25°C ambient
 Output voltage tolerance: ±1% on all units
 Line regulation: ±0.1% (for the input voltage range of ±10%)
 Load regulation: 0.2% (from full load to no load)
 Converter frequency: 20-40K Hz.
 Operating temperature: -25°C to +70°C ambient
 Output voltage temperature coefficient: 0.005%/°C
 Storage temperature: -55°C to +125°C
 Isolation: 100 megohms minimum at 500 volts DC
 Short circuit protection: Temporary

OPTIONS AVAILABLE

- Expanded operating temp. (-55°C to +85°C)
- Stabilization Bake (125°C ambient)
- Temperature Cycle (-55°C to +125°C)
- Hi Temp, full power burn in (100% power, 125°C case temp)

**No Heat Sink
or Electrical
Derating Required**

**Low Profile
0.35" Height!
Up to 3.5 Watts**

FEATURES:

- Excellent voltage regulation ±0.1%
- Encapsulated semiconductors, conservatively rated for maximum reliability.
- Excellent load regulation 0.2%
- Up to 3.5 watts output power at 70°C ambient
- Low output ripple
- 100 megohm 500V DC isolation
- Single and dual isolated outputs
- No heat sink required
- Miniature size
- No output capacitor required

This series of encapsulated converters come in 24 different models. The units feature single and isolated dual outputs. They will operate over a temperature range of -25°C to +70°C. No heat sink is required. These units are excellent for applications where the input voltage varies ±10% and the output must be held to ±0.1%. The output voltage is maintained to within 0.2% from no load to full load.

SERIES GR - SINGLE OUTPUT

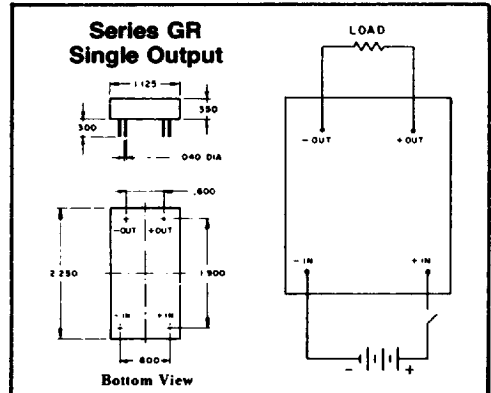
PICO PART NUMBER	* INPUT VOLTAGE (V dc)	OUTPUT VOLTAGE (V dc)	MAX. LOAD CURRENT (mA)	MAX. OUTPUT POWER (watts)	EFF. @ FULL LOAD AT NOMINAL INPUT VOLTAGE TYPICAL (%)	INPUT CURRENT @ FULL LOAD TYPICAL (mA) AT NOMINAL INPUT VOLTAGE	OUTPUT VOLTAGE RIPPLE @ FULL LOAD (mVp-p) max.	INPUT CURRENT @ NO LOAD TYPICAL AT NOMINAL INPUT VOLTAGE (mA)	EFF. @ FULL LOAD TYPICAL %		PRICE 1-24
									HIGH LINE	LOW LINE	
5GR5S	5	5	300	1.5	43	698	50	85	39	48	75.14
5GR12S	5	12	208	2.5	56	893	50	90	51	63	75.14
5GR15S	5	15	167	2.5	57	877	50	100	52	64	75.14
12GR5S	12	5	300	1.5	46	272	50	12	42	52	75.14
12GR12S	12	12	292	3.5	60	486	50	29	54	67	75.14
12GR15S	12	15	233	3.5	62	470	50	31	56	69	75.14
24GR5S	24	5	400	2.0	46	181	50	7	42	52	75.14
24GR12S	24	12	292	3.5	58	251	50	17	53	66	75.14
24GR15S	24	15	233	3.5	64	228	50	25	57	71	75.14
28GR5S	28	5	400	2.0	39	181	50	7	35	44	75.14
28GR12S	28	12	292	3.5	50	251	50	17	45	56	75.14
28GR15S	28	15	233	3.5	55	228	50	25	49	62	75.14

SERIES GR - DUAL OUTPUT

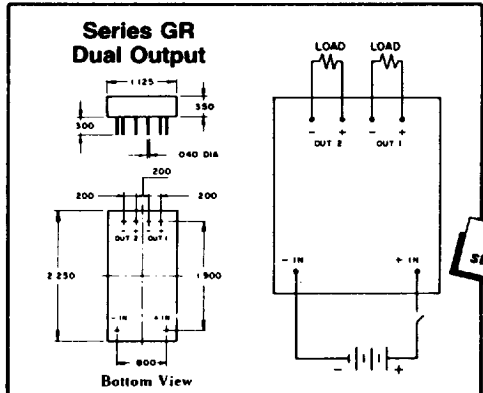
PICO PART NUMBER	* INPUT VOLTAGE (V dc)	DUAL OUTPUT VOLTAGE ISOLATED (V dc)	MAX. LOAD CURRENT PER OUTPUT (mA)	MAX. OUTPUT POWER PER OUTPUT (watts)	EFF. @ FULL LOAD AT NOMINAL INPUT VOLTAGE TYPICAL (%)	INPUT CURRENT FULL LOAD TYPICAL (mA) AT NOMINAL INPUT VOLTAGE	OUTPUT VOLTAGE RIPPLE @ FULL LOAD (mVp-p) max.	INPUT CURRENT @ NO LOAD TYPICAL AT NOMINAL INPUT VOLTAGE (mA)	EFF. @ FULL LOAD TYPICAL %		PRICE 1-24
									HIGH LINE	LOW LINE	
5GR5D	5	5	150	0.75	43	698	50	102	39	49	89.62
5GR12D	5	12	104	1.25	55	909	50	120	50	62	89.62
5GR15D	5	15	83	1.25	56	893	50	128	50	63	89.62
12GR5D	12	5	150	0.75	46	272	50	33	41	51	89.62
12GR12D	12	12	146	1.75	59	494	50	35	53	66	89.62
12GR15D	12	15	117	1.75	61	478	50	37	55	68	89.62
24GR5D	24	5	200	1.00	46	181	50	15	42	52	89.62
24GR12D	24	12	146	1.75	58	251	50	18	52	65	89.62
24GR15D	24	15	117	1.75	64	228	50	21	58	72	89.62
28GR5D	28	5	200	1.00	39	181	50	15	35	44	89.62
28GR12D	28	12	146	1.75	50	251	50	18	45	56	89.62
28GR15D	28	15	117	1.75	55	228	50	21	49	62	89.62

Ordering Instructions: No minimum. Net 30 days F.O.B. Mt. Vernon, New York.

*Input voltage +/- 10%



Typical Weight: 29 Grams



Typical Weight: 29 Grams

PICO Electronics, Inc.

453 N. MacQuesten Pkwy.,
 Mt. Vernon, N.Y. 10552
 914-699-5514 • FAX 914-699-5565

For immediate engineering assistance or to place an order—

Delivery—stock to one week

Call Toll Free 800-431-1064