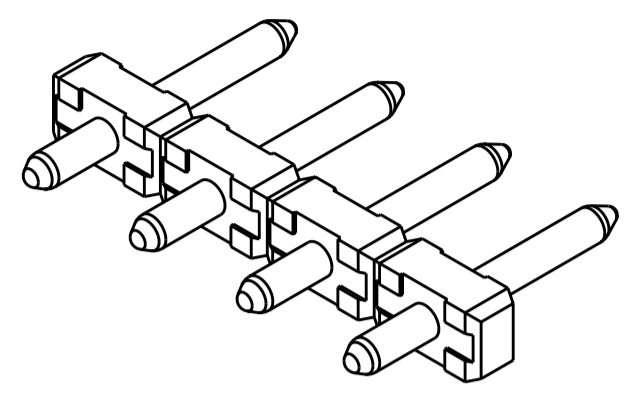
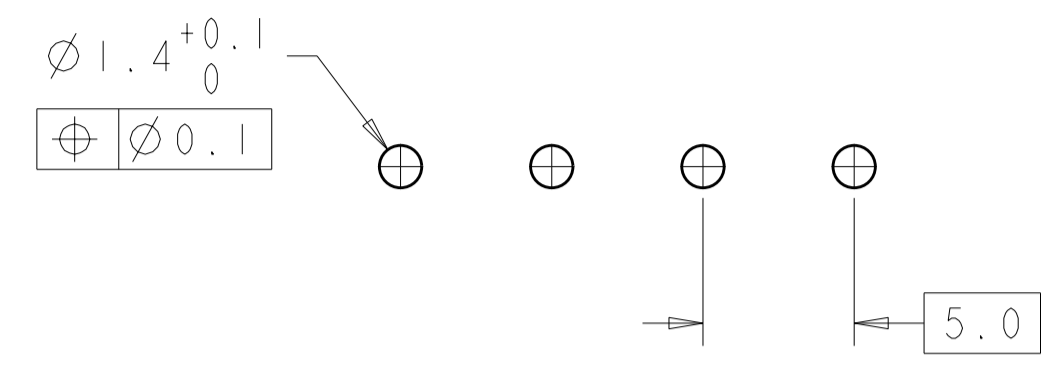
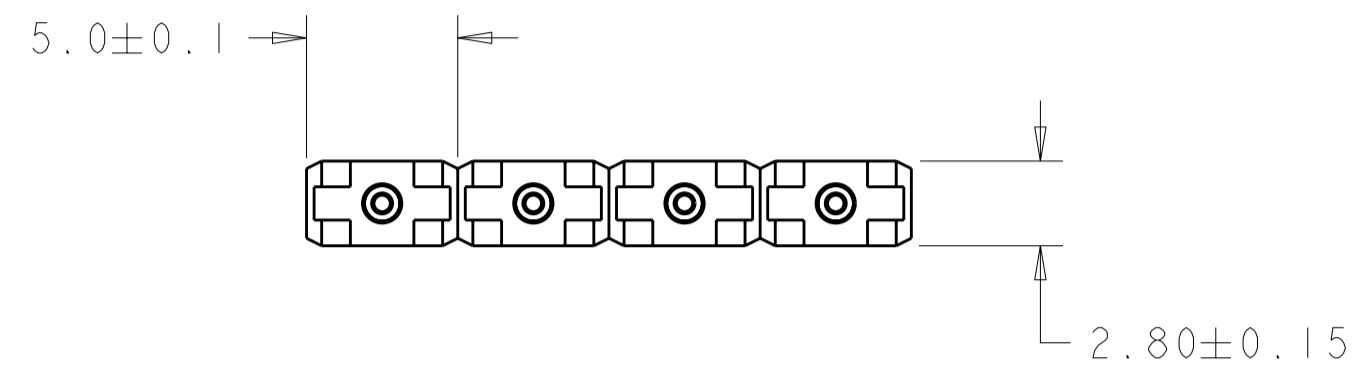


THIS DRAWING IS UNPUBLISHED. RELEASED FOR PUBLICATION 20  
 © COPYRIGHT 20 BY TYCO ELECTRONICS CORPORATION. ALL RIGHTS RESERVED.

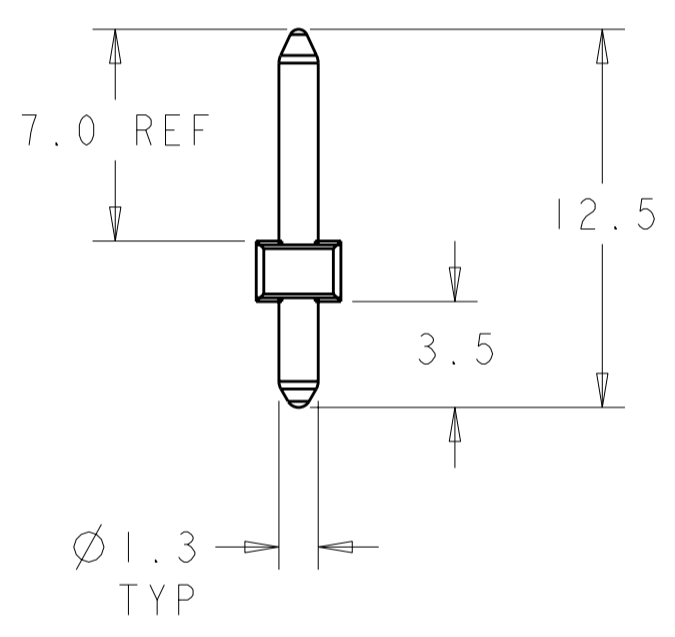
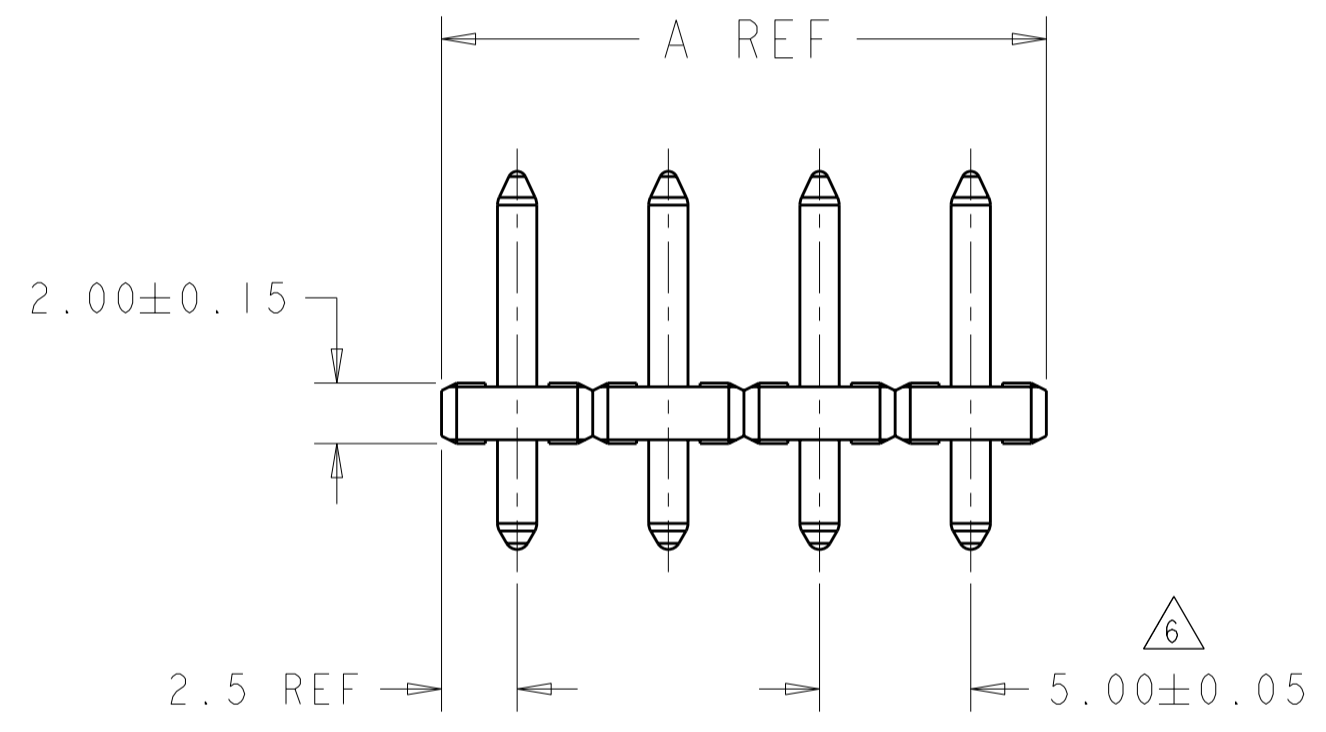
LOC	DIST	REVISIONS			
P	LTR	DESCRIPTION	DATE	DWN	APVD
FT	0				
	A3	REVISED ECO-06-027517	28NOV2006	SW	CR
	A4	REVISED PER ECO-07-015282	28JUN2007	SS	CR
	A5	REVISED PER ECO-08-007356	25MAR2008	HMR	MS
	A6	REVISED PER ECO-08-009030	11APR2008	HMR	CR



1546931-4 AS SHOWN



RECOMMENDED PC BOARD LAYOUT



PLATING	PACKAGING	A REF	NO OF POSN	PART NUMBER
TIN	TAPE AND REEL	15	3	3-1546931-2
TIN	TAPE AND REEL	10	2	3-1546931-1
0.254um GOLD	-	10	2	3-1546931-0
TIN	TAPE AND REEL	25	5	2-1546931-9
TIN	TAPE AND REEL	20	4	2-1546931-8
TIN	TUBES	25	5	2-1546931-7
TIN	TUBES	20	4	2-1546931-6
TIN		125	25	2-1546931-5
TIN		120	24	2-1546931-4
TIN		115	23	2-1546931-3
TIN		110	22	2-1546931-2
TIN		105	21	2-1546931-1
TIN		100	20	2-1546931-0
TIN		95	19	1-1546931-9
TIN		90	18	1-1546931-8
TIN		85	17	1-1546931-7
TIN		80	16	1-1546931-6
TIN		75	15	1-1546931-5
TIN		70	14	1-1546931-4
TIN		65	13	1-1546931-3
TIN		60	12	1-1546931-2
TIN		55	11	1-1546931-1
TIN		50	10	1-1546931-0
TIN		45	9	1546931-9
TIN		40	8	1546931-8
TIN		35	7	1546931-7
TIN		30	6	1546931-6
TIN		25	5	1546931-5
TIN		20	4	1546931-4
TIN		15	3	1546931-3
TIN		10	2	1546931-2

- 1 MATERIALS AND FINISH:  
 HOUSING: PA 6-6, UL 94-V0, COLOR: BLACK.  
 TEMPERATURE RATING OF 260°C AT 1 MINUTE.  
 TERMINAL: BRASS, TIN PLATED.
2. SUITABLE FOR 1,6-2,4mm PC BOARD THICKNESS.
3. END-TO-END STACKABLE WITHOUT LOSS OF CENTERLINE SPACING.
4. RECOGNIZED UNDER THE COMPONENT PROGRAM OF UNDERWRITERS LABORATORIES INC. FILE N° E60677.
5. IMQ CERTIFICATE WITH SURVEILLANCE IN CONFORMITY WITH IEC 998-1/998-2-1.
- 6 NOT CUMULATIVE TOLERANCE.

THIS DRAWING IS A CONTROLLED DOCUMENT FOR TYCO ELECTRONICS CORPORATION. IT IS SUBJECT TO CHANGE AND THE CONTROLLING ENGINEERING ORGANIZATION SHOULD BE CONTACTED FOR THE LATEST REVISION.		DWN: S. WELDON 30 JAN 2004 CHK: C. RICHARD 30 JAN 2004 APVD: C. RICHARD 30 JAN 2004	Tyco Electronics Harrisburg, PA 17105-3608
DIMENSIONS: mm 	TOLERANCES UNLESS OTHERWISE SPECIFIED: 0 PLC ±.3 1 PLC ±.3 2 PLC ±.25 3 PLC ±.25 4 PLC ±. ANGLES ±2 FINISH	PRODUCT SPEC: 108-20166 APPLICATION SPEC: 114-20079 WEIGHT: -	NAME: TERMINAL BLOCK, PIN HEADER, UNSHROUDED, HIGH TEMPERATURE, 5.0mm PITCH SIZE: A2 CAGE CODE: 00779 DRAWING NO: 1546931 RESTRICTED TO: -
MATERIAL:  -		CUSTOMER DRAWING SCALE: 4:1 SHEET 1 OF 1 REV A6	