
ePVP6800

VFD Controller

**Product
Specification**

**VERSION
1.23**

ELAN MICROELECTRONICS CORP.

Nov 2004



Trademark Acknowledgments

IBM is a registered trademark and PS/2 is a trademark of IBM.

Microsoft, MS, MS-DOS, and Windows are registered trademarks of Microsoft Corporation.

© 2004 ELAN Microelectronics Corporation

All Rights Reserved

Printed in Taiwan, ROC, 05/27/2004 (Version 1.0)

The contents of in this specification are subject to change without notice. ELAN Microelectronics assumes no responsibility for errors that may appear in this specification. ELAN Microelectronics makes no commitment to update, or to keep current, the information contained in this specification. The software (if any) described in this specification is furnished under a license or nondisclosure agreement, and may be used or copied only in accordance with the terms of the agreement.

ELAN Microelectronics products are not intended for use in life support appliances, devices, or systems. Use of ELAN Microelectronics products in such application is not supported and is prohibited.

NO PART OF THIS SPECIFICATION MAY BE REPRODUCED OR TRANSMITTED IN ANY FORM OR BY ANY MEANS WITHOUT THE EXPRESS WRITTEN PERMISSION OF ELAN MICROELECTRONICS.

Specification Revision History		
Version	Revision Description	Date
1.0	Initial version	2004/5/27
1.1	ADD Relevant Pins assignment Revises DC Electrical Characteristic	2004/06/01
1.2	additional remark Application notes	2004/9/16
1.21	Revised CONT register describe Updata Pckage Information	2004/9/24
1.22	IC Name change	2004/11/4
1.23	additional remark Application notes Revised Operation Voltage VS PLL Operation frequency	2004/11/28



Contents

Read Me First!	vi
1 General Description	1
2. Feature	1
2.1 CPU	1
2.2 GPIO.....	1
2.3 VFD	1
2.4 POR.....	2
2.5 PACKAGE	2
3 Application	2
VFD controller	2
4 Pin Configuration	3
5 Functional Block Diagram	4
5.1 Ports Mapping for HV and GPIO	5
5.1.1 HV Port Mapping	5
5.1.2 GPIO Port Mapping	5
5.2 Relevant Pins for programming mode	5
6 Pin Descriptions	6
7 Function Descriptions	7
7.1 Operation Registers Configuration	7
7.2 Operation Registers Description	8
7.2.1 R0 (Indirect Address Register)	8
7.2.2 R1 (TCC)	8
7.2.3 R2 (Program Counter)	8
7.2.4 R3 (Status, Page Selection)	10
7.2.5 R4 (RAM Selection For Common Registers R20 ~ R3F)).....	11
7.2.6 R5 (PORT5 Output Data, Program Page Selection)	11
7.2.7 R6 (PORT6 Output Data)	12
7.2.8 R7 (PORT7 Output Data , Counter1 Data	12
7.2.9 R8 (PORT8 Output data, Data RAM address) , Counter2_LB data	12
7.2.10 R9 (PORT9 I/O Data, Data RAM Data Buffer), Counter2_HB Data	13

7.2.11	RA (PLL, Main Clock Selection, Watchdog Timer), Counter3 Data	14
7.2.12	RB (PORTB I/O Data Buffer, PORT9 Switches).....	16
7.2.13	RC (PORTC I/O Data , Counter5 Data).....	17
7.2.14	RD (Interrupt Flag,).....	18
7.2.15	RE (Wake-up).....	18
7.2.16	RF (Interrupt Flags)	18
7.2.17	R10~R3F (General Purpose Registers)	19
7.3	Special Purpose Registers	22
7.3.1	A (Accumulator)	19
7.3.2	CONT (Control Register)	19
7.3.3	IOC 5 (PORT5 Switches)	21
7.3.4	IOC 8	21
7.3.5	IOC9 (PORT9 I/O Control)	22
7.3.6	IOCA	23
7.3.7	IOCC (PORTC I/O Control).....	23
7.3.9	IOCD (Interrupt Mask, Prescaler of CN3 ~ CN5)	23
7.3.10	IOCF (Interrupt Mask).....	24
7.4	Application notes	
7.5	I/O Port	26
7.6	RESET	26
7.7	Wake Up.....	27
7.6.1	SLEEP Mode, RA(6 ;7) = 0 + "SLEP" Instruction.....	27
7.6.2	IDLE mode, RA(6 ;7) = 1 + "SLEP" Instruction.	27
7.6.3	Wake-up from SLEEP Mode.....	27
7.6.4	Wake-up from IDLE Mode	28
7.8	Interrupts	28
7.9	Instruction Set	28
8	Segment Data Buffers	31
8.1	Commands	33
8.1.1	Display Mode Setting Command [00].....	34
8.1.2	Data Setting Command [01]	34
8.1.3	Display Control Command [10]	35
8.1.4	Address Setting Command [11].....	35

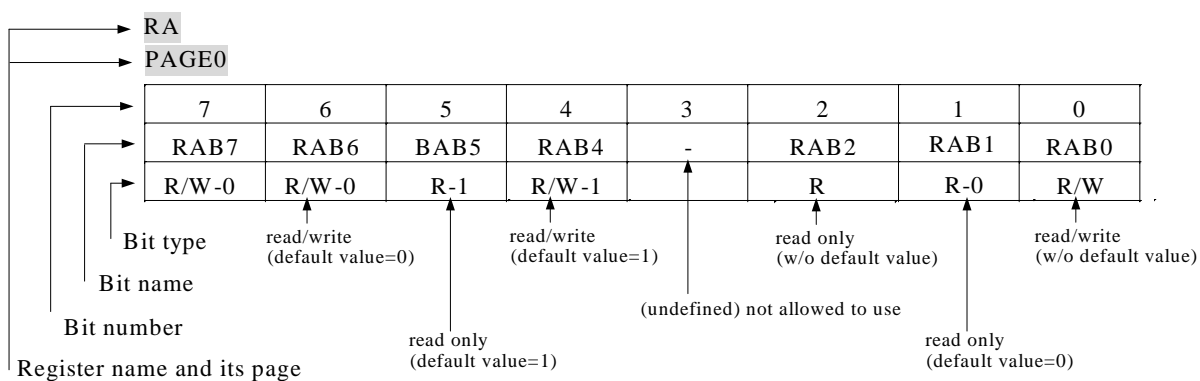


9	RC/Crystal OSC	36
9.1	General Description.....	36
9.2	Features	36
9.3	Block Diagram	36
9.4	Pin Description	36
9.5	Electrical.....	36
9.6	Macro Area	36
10	Absolute Operation Maximum Ratings	37
11	DC Electrical Characteristic	37
12	AC Electrical Characteristic	38
12.1	CPU Instruction Timing (Ta = -20°C ~ 70°C, VDD=5V, VSS=0V)	38
12.2	AC Timing Characteristic (VDD=5V, Ta=+25°C)	39
12.3	ePVP6800 Operating Voltage (X Axis → Min VDD ; Y Axis → Main CLK)	39
12.4	AC Timing Diagrams	40
13	Key & Switch Scanning and Display Timing	41
14	Switching Characteristic Waveform	41
14.1	Switching Characteristics (Ta = - 20 to + 70°C, VDD = 4.5 to 5.5V, VEE = VDD - 45V)	42

Read Me First!

Before using the chip, spare a few minutes to take a look at the following important notes.

1. Some bits in the registers are undefined. The values in these bits are unknown and should not be used. These bits are designated with a dash “-” symbol as its bit name in this specification.
2. The following table shows the definitions of the various register designations used to identify bit types, bit name, and bit number. Some definitions will appear quite frequently in the specification.





1 General Description

The ePVP6800 is an 8-bit RISC type vacuum fluorescent display (VFD) controller equipped with low power consumption and high speed CMOS technology. This integrated single chip features on_chip watchdog timer (WDT), one time programming ROM (OTP), data RAM, programmable real time clock/counter, internal interrupt, power down mode, IR detector, and high voltage output for VFD application.

2. Feature

2.1 CPU

- Crystal Oscillator (32.768KHz): with a external crystal
- 2k x 13 on chip Program ROM.
- 144 x 8 general purpose registers
- 128 x 8 on chip data RAM
- 16 level stack for subroutine nesting
- **5 channel 8-bit counters:** real time clock/counter (TCC) ,COUNTER1, COUNTER3, COUNTER4, COUNTER5
- **1 channel 16-bit counter:** COUNTER2
- On-chip watchdog timer (WDT)
- 99.9% single instruction cycle commands
- Four operation modes (

Mode	CPU Status	Main Clock	32.768kHz Clock Status
Sleep mode	Turn off	Turn off	Turn off
Idle mode	Turn off	Turn off	Turn on
Green mode	Turn on	Turn off	Turn on
Normal mode	Turn on	Turn on	Turn on

* Main clock can be programmed from 447.829k to 17.91MH by internal PLL

* **8 main clocks:** 447.829K, 895.658K, 1.791M , 3.582M , 7.165M ,1 0.747M , 14.331M and 17.91MHz

- 11 interrupt source, 5 external (IR , INT1~INT4) , 6 internal (TCC, COUNTER1~5)

2.2 GPIO

- GPIO 9 Port(8 bit): general purpose input/output; LED output ;interrupt function
- GPIO C Port(4 bit): general purpose input/output for switch and key scanning 4x4 matrix)

2.3 VFD

- Multiple display modes (6-segment & 11-digit to 8-segment & 9-digit)
- External resistor not necessary for driver outputs.(P-ch open-drain + pull-down resistor output)

2.4 POR

2.0V Power-on voltage detector reset

2.5 PACKAGE

32-pin DIP

3 Application

VFD controller

4 Pin Configuration

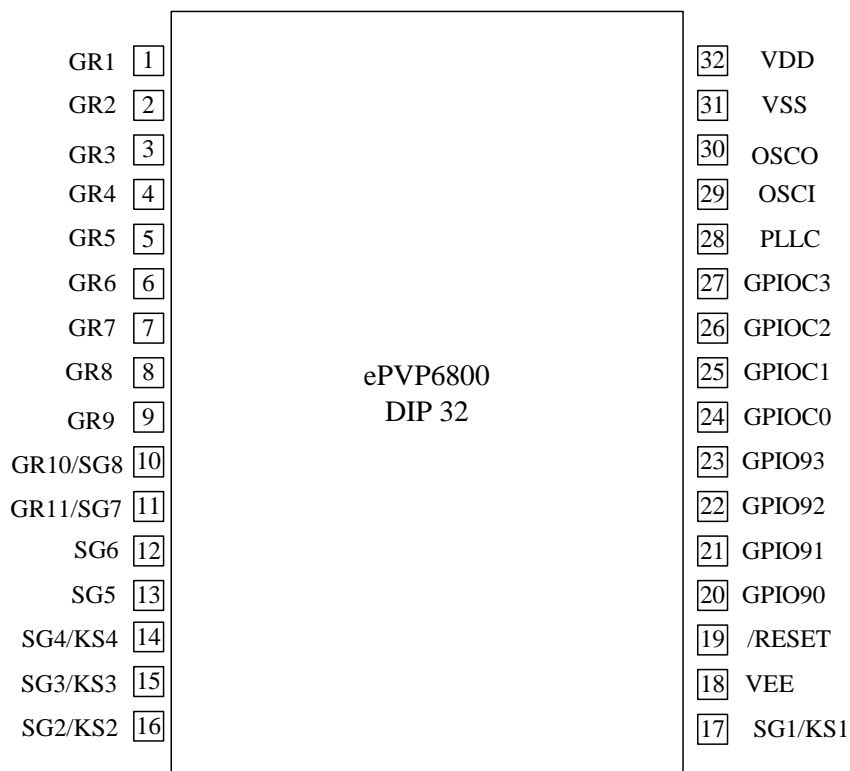


Fig. 1 Pin Assignment



5.1 Ports Mapping for HV and GPIO

5.1.1 HV Port Mapping

Port	HV	Port	HV	Port	HV	Port	HV
-		P60	-	P70	-	P80	-
-		P61	-	P71	-	P81	-
-		P62	SG5	P72	GR9	P82	GR5
-		P63	SG6	P73	GR8	P83	GR4
P54	SG1/KS1	P64	-	P74	-	P84	-
P55	SG2/KS2	P65	-	P75	-	P85	GR3
P56	SG3/KS3	P66	GR11/SG7	P76	GR7	P86	GR2
P57	SG4/KS4	P67	GR10/SG8	P77	GR6	P87	GR1

5.1.2 GPIO Port Mapping

Port	GPIO	Port	GPIO
P90	GPIO90/LED0/IR	PC0	GPIOC0/Key1
P91	GPIO91/LED1/INT1	PC1	GPIOC1/Key2
P92	GPIO92/LED2/INT2	PC2	GPIOC2/Key3
P93	GPIO93/LED3/INT3	PC3	GPIOC3/Key4
P94		PC4	
P95		PC5	
P96		PC6	
P97		PC7	

5.2 Relevant Pins for programming mode

OTP PIN NAME	MASK ROM PIN NAME
VDD	AVDD
VPP	/RESTER
DINCK	PC3
ACLK	PC2
PGMB	P92
OEB	P91
DATA	P90
GND	GND



6 Pin Descriptions

Pin No.	Pin Name	I/O	#	Description	Note
32	VDD	-	1	Logic power supply	
24 – 27	GPIOC0 – GPIOC3	I/O	4	General Purpose I/O pins: 1. Key data input to these pins is latched at the end of display cycle. 2. These pins constitute 4-bit general-purpose input/output port. 3. Programmable Internal Pull-High 4. Wake-up Function	Schmitt Pull-up
1-9 (B Cell)	GR1 – GR9	O	9	1. High voltage grid output	~
10-11 (B Cell)	GR10/SG8 – GR1 /SG7	O	2	1. High voltage grid output 2. High voltage segment output	
12-13 (A Cell)	SG6 – SG5	O	2	1. High voltage grid output 2. High voltage segment output	
14-17 (C Cell)	SG4/KS4 – SG1/KS1	I/O	4	1. High voltage segment output 2. Matrix key scan output 3. General Purpose Input pins: p54~p57	
20 – 23	GPIO90/LED0 – GPIO93/LED3	I/O	4	1. General Purpose I/O pins 2. LED output pin (20mA) 3. IR Detector 4. Interrupt Function 5. Programmable Internal Pull-High	Schmitt Pull-up
28	PLLC	I	1	Phase Lock Loop Capacitor (connect a Capacitor 0.01 to 0.047u to the Ground).	
29	OSCI	I	1	Crystal Oscillator input pin (32, 768Hz)	
30	OSCO	O	1	Crystal Oscillator output pin (32, 768Hz)	
31	VSS	-	1	Connect this pin to GND of the system	
19	/RESET	I	1	Low active RESET signal input	Schmitt
18	VEE	-	1	Pull-down level (VDD-(-40V)max)	



7、 Function Descriptions

7.1 Operation Registers Configuration

Addr	R PAGE Registers		
	R PAGE0	R PAGE1	R PAGE2
00	Indirect addressing		
01	TCC		
02	PC		
03	Page, Status		
04	RAM bank, RSR		
05	Port5 Output data	Program ROM page	
06	Port6 Output data		
07	Port7 Output data		Counter1 data
08	Port8 Output data	Data RAM address	Counter2 LB data
09	Port9 I/O data	Data RAM data buffer	Counter2 HB data
0A	PLL, Main clock,WDTE	ADC output data buffer	Counter3 data
0B		Port9 pull high	Counter4 data
0C	PortC I/O data	PortC pull high	Counter5 data
0D	Interrupt flag		
0E	Interrupt flag, Wake-up control		
0F	Interrupt flag		
10 : 1F	16 bytes Common registers		
20 : 3F	Bank0 ~ Bank3 Common registers (32x8 for each bank)		

Addr	IOC PAGE Registers	
	IOC PAGE0	IOC PAGE1
00		
01		
02		
03		
04		
05		Port5 switch
06		
07		
08		Clock source (CN2,CN1) Prescaler (CN2,CN1)
09	Port9 I/O control	Clock source (CN4,CN3) Prescaler (CN4,CN3)
0A		Clock source (CN5) Prescaler (CN5)
0B		
0C	PortC I/O control	
0D	Interrupt mask	
0E	Interrupt mask	
0F	Interrupt mask	

7.2 Operation Registers Description

7.2.1 R0 (Indirect Address Register)

R0 is not a physically implemented register. It is used as indirect address pointer. Any instruction using R0 as register actually accesses data pointed by the RAM Select Register (R4).

Example:

```
Mov A, @0x20 ;store an address at R4 for indirect address
Mov 0x04, A
Mov A, @0xAA ;write data 0xAA to R20 at Bank0 through R0
Mov 0x00, A
```

7.2.2 R1 (TCC)

TCC data buffer. Increased by 16.384KHz or by the instruction cycle clock (controlled by CONT register).

Written and read by the program as any other register.

7.2.3 R2 (Program Counter)

The structure is depicted in Fig.3 below.

Generates $2k \times 13$ external ROM addresses to the relative programming instruction codes.

"JMP" instruction allows the direct loading of the low 10 program counter bits.

"CALL" instruction loads the low 10 bits of the PC, PC+1, and then push into the stack.

"RET" ("RETL k," "RETI") instruction loads the program counter with the contents at the top of stack.

"MOV R2, A" allows the loading of an address from the A register to the PC, and the ninth and tenth bits are cleared to "0".

"ADD R2, A" allows a relative address to be added to the current PC, and contents of the ninth and tenth bits are cleared to "0".

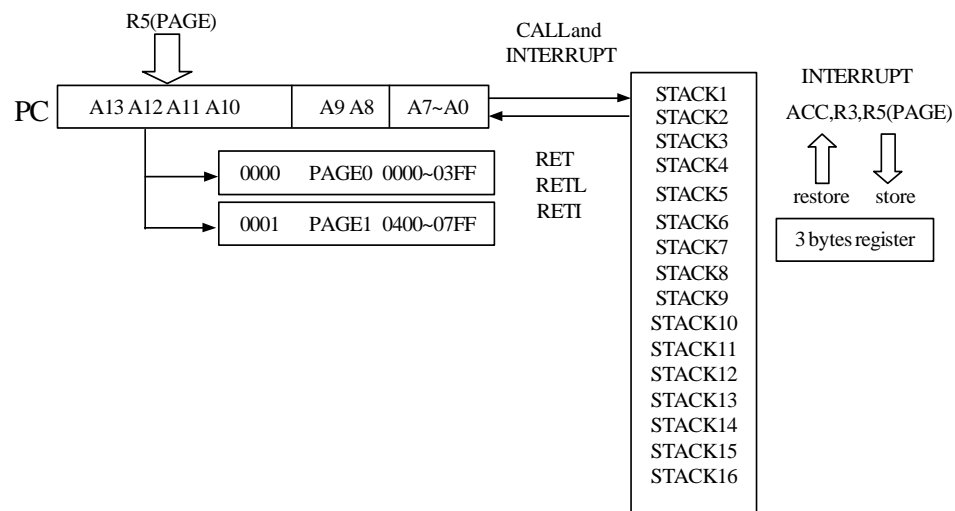


Fig. 3 Program Counter Organization

"TBL" allows a relative address to be added to the current PC, and the contents of the ninth and tenth bits do not change. The most significant bit (A10~A13) will be loaded with the contents of bit



PS0~PS3 in the status register (R5 PAGE 1) upon execution of a "JMP," "CALL," "ADD R2, A." or "MOV R2, A" instruction.

If an interrupt is triggered, PROGRAM ROM will jump to address 0x08 at Page0. The CPU will automatically store ACC, R3 status, and R5 PAGE 1, and they will be restored after execution of instruction RETI.

7.2.4 R3 (Status, Page Selection)

(Status Flag, Page Selection Bits)

Bit 7	Bit 6	Bit 5	Bit 4	Bit 3	Bit 2	Bit 1	Bit 0
RPAGE1	RPAGE0	IOCPAGE	T	P	Z	DC	C
R/W-0	R/W-0	R/W-0	R	R	R/W	R/W	R/W
R/W-0	R/W-0	R/W-0	R	R	R/W	R/W	R/W

Bit 0 (C) : Carry flag

The carry flag is affected by following operation :

- a. Addition : CF as a carry out indicator, when the addition operation has a carry-out, CF will be "1", in another word, if the operation has no carry-out, CF will be "0".
- b. Subtraction : CF as a borrow-in indicator, when the subtraction operation must has a borrow-in, the CF will be "0", in another word, if no borrow-in, CF will be "1".
- c. Comparision : CF is as a borrow-in indicator for Comparision operation as the same as subtraction operation.
- d. Rotation : CF shifts into the empty bit of accumulator for the rotation and holds the shift out data after rotation.

Bit 1 (DC) : Auxiliary carry flag

Bit 2 (Z) : Zero flag

ZF is affected by the result of ALU, if the ALU operation generate a "0" result, the ZF will be "1", otherwise, the ZF will be "0".

Bit 3 (P) : Power down bit

Set to 1 during power on or by a "WDTC" command and reset to 0 by a "SLEP" command.

Bit 4 (T) : Time-out bit

Set to 1 by the "SLEP" and "WDTC" command, or during power up and reset to 0 by WDT timeout.

Event	T	P	Remarks
WDT wake up from sleep mode	0	0	
WDT time out (not sleep mode)	0	1	
/RESET wake up from sleep	1	0	
Power up	1	1	
Low pulse on /RESET	x	X	x : don't care



Bit 5 (IOCPAGE) : Change IOC5 ~ IOCE to another page
0/1 → IOC page0 / IOC page1

Bit 6 (RPAGE0 ~ RPAGE1) : Change R5 ~ RC to another page (see Section 7.1 *Operation Registers Configuration* for details.)

(RPAGE1, RPAGE0)	R page # selected
(0,0)	R page 0
(0,1)	R page 1
(1,x)	R page 2



7.2.5 R4 (RAM Selection For Common Registers R20 ~ R3F)

(RAM Selection Register)

Bit 7	Bit 6	Bit 5	Bit 4	Bit 3	Bit 2	Bit 1	Bit 0
RB1	RB0	RSR5	RSR4	RSR3	RSR2	RSR1	RSR0
R/W-0	R/W-0	R/W	R/W	R/W	R/W	R/W	R/W

Bit 0 ~ Bit 5 (RSR0 ~ RSR5) : Indirect address for common Registers R20 ~ R3F.

RSR bits are used to select up to 32 registers (R20 to R3F) in the indirect address mode.

Bit 6 ~ Bit 7 (RB0 ~ RB1) : Bank selection bits for common Registers R20 ~ R3F.

These selection bits are used to determine which bank is activated among the 4 banks for 32 register (R20 to R3F).

Refer to Section 7.1 *Operation Registers Configuration* for details.

7.2.6 R5 (PORT5 Output Data, Program Page Selection)

a) PAGE 0 (PORT5 Output Data Register for HV or General Purpose Input pins: p54~p57)

Bit 7	Bit 6	Bit 5	Bit 4	Bit 3	Bit 2	Bit 1	Bit 0
P57	P56	P55	P54	-	-	-	-
W-0	W-0	W-0	W-0	-	-	-	-

b) PAGE 1 (Program ROM Page Register)

Bit 7	Bit 6	Bit 5	Bit 4	Bit 3	Bit 2	Bit 1	Bit 0
-	-	-	-	-	-	PS1	PS0
-	-	-	-	-	-	R/W-0	R/W-0

Bit 0 ~ Bit 3 (PS0 ~ PS3) : Program page selection bits

PS1	PS0	Program Memory Page (Address)
0	0	Page 0
0	1	Page 1

PAGE instruction is used to select the program page to be accessed. The selected program page is maintained by Elan compiler. PAGE instruction will change your program by inserting the instruction within program.

7.2.7 R6 (PORT6 Output Data, SPI Data Buffer)

a) PAGE 0 (PORT6 Output Data Register for HV)

Bit 7	Bit 6	Bit 5	Bit 4	Bit 3	Bit 2	Bit 1	Bit 0
P67	P66	P65	P64	P63	P62	P61	P60
W-0	W-0	W-0	W-0	W-0	W-0	W-0	W-0

7.2.8 R7 (PORT7 Output Data, Counter1 Data)

a) PAGE 0 (PORT7 Output Data Register for HV)

Bit 7	Bit 6	Bit 5	Bit 4	Bit 3	Bit 2	Bit 1	Bit 0
P77	P76	P75	P74	P73	P72	P71	P70
W-0	W-0	W-0	W-0	W-0	W-0	W-0	W-0

c) PAGE 2 (Counter 1 Data Register)

Bit 7	Bit 6	Bit 5	Bit 4	Bit 3	Bit 2	Bit 1	Bit 0
CN17	CN16	CN15	CN14	CN13	CN12	CN11	CN10
R/W-0	R/W-0	R/W-0	R/W-0	R/W-0	R/W-0	R/W-0	R/W-0

Bit 0 ~ Bit 7 (CN10 ~ CN17) : Counter1 buffer that you can read and write.

Counter1 is an 8-bit up-counter with 8-bit prescaler that allows you to use R7 PAGE2 to preset and read the counter (write → preset). After an interruption, it will reload the preset value.

7.2.9 R8 (PORT8 Output data, Data RAM address) , Counter2_LB data

a) PAGE 0 (PORT8 Output Data Register for HV)

Bit 7	Bit 6	Bit 5	Bit 4	Bit 3	Bit 2	Bit 1	Bit 0
P87	P86	P85	P84	P83	P82	P81	P80
W-0	W-0	W-0	W-0	W-0	W-0	W-0	W-0

b) PAGE 1 (Data RAM Address Register)

Bit 7	Bit 6	Bit 5	Bit 4	Bit 3	Bit 2	Bit 1	Bit 0
RAM_A7	RAM_A6	RAM_A5	RAM_A4	RAM_A3	RAM_A2	RAM_A1	RAM_A0
R/W-0	R/W-0	R/W-0	R/W-0	R/W-0	R/W-0	R/W-0	R/W-0

Bit 0 ~ Bit 7 (RAM_A0 ~ RAM_A7) : data RAM address

c) PAGE 2 (Counter2 Low Byte Data Register)

Bit 7	Bit 6	Bit 5	Bit 4	Bit 3	Bit 2	Bit 1	Bit 0
CN27	CN26	CN25	CN24	CN23	CN22	CN21	CN20
R/W	R/W	R/W	R/W	R/W	R/W	R/W	R/W

Bit 0 ~ Bit 7 (CN20 ~ CN27) : Counter2_LB's buffer that you can read and write.

Counter2 is a 16-bit up-counter with 8-bit prescaler that allows you to use R8 PAGE2 to preset and read the counter.(write → preset). After an interruption, it will reload the preset value.



7.2.10 R9 (PORT9 I/O Data, Data RAM Data Buffer) ,Counter2_HB Data

a) PAGE 0 (PORT9 I/O Data Register)

Bit 7	Bit 6	Bit 5	Bit 4	Bit 3	Bit 2	Bit 1	Bit 0
-	-	-	-	P93	P92	P91	P90
-	-	-	-	R/W	R/W	R/W	R/W

Bit 0 ~ Bit 7 (P90 ~ P97) : 8-bit PORT9(0~7) I/O data register

You can use IOC register to define input or output each bit, and to define the pull high condition.

Bit 0:

1. P90 : can be defined as Input/Output
2. LED0 : can be defined as Output
3. IR Input : can be defined as Input and IR is enabled (when IOCF Bit7 is set to 1)

Bit 1 ~ Bit3:

1. P91~P93 : can be defined as Input/Output
2. LED1~LED3 : can be defined as Output
3. INT1~INT3 : can be defined as Input

b) PAGE 1 (Data RAM Data Register)

Bit 7	Bit 6	Bit 5	Bit 4	Bit 3	Bit 2	Bit 1	Bit 0
RAM_D7	RAM_D6	RAM_D5	RAM_D4	RAM_D3	RAM_D2	RAM_D1	RAM_D0
R/W	R/W	R/W	R/W	R/W	R/W	R/W	R/W

Bit 0 ~ Bit 7 (RAM_D0 ~ RAM_D7) : Data RAM's data

c) PAGE 2 (Counter2 High Byte Data Register)

Bit 7	Bit 6	Bit 5	Bit 4	Bit 3	Bit 2	Bit 1	Bit 0
CN215	CN214	CN213	CN212	CN211	CN210	CN29	CN28
R/W	R/W	R/W	R/W	R/W	R/W	R/W	R/W

Bit 0 ~ Bit 7 (CN28 ~ CN215) : Counter2_HB's buffer that you can read and write.

Counter2 is a 16-bit up-counter with 8-bit prescaler that allows you to use R9 PAGE2 to preset and read the counter (write → preset). After an interruption, it will reload the preset value.

7.2.11 RA (PLL, Main Clock Selection, Watchdog Timer), ADC Output Data Buffer , Counter3 Data

a) PAGE 0 (PLL Enable Bit, Main Clock Selection Bits, Watchdog Timer Enable Bit)

Bit 7	Bit 6	Bit 5	Bit 4	Bit 3	Bit 2	Bit 1	Bit 0
IDLE	PLLEN	CLK2	CLK1	CLK0	-	-	WDTEN
R/W-0	R/W-0	R/W-0	R/W-1	R/W-1			R/W-0

Bit 0 (WDTEN) : Watch dog control bit

You can use WDTC instruction to clear watch dog counter. The counter clock source is 32768/2 Hz. If the prescaler is assigned to TCC, Watch dog will time out by $(1/32768) * 2 * 256 = 15.616\text{mS}$. If the prescaler is assigned to WDT, the time out interval will be longer depending on the prescaler. Ratio.

0/1 → disable/enable

Bit 1~Bit 2 : Unused

Bit 3 ~ Bit 5 (CLK0 ~ CLK2) : MAIN clock selection bits

You can select different frequencies for the main clock with CLK1 and CLK2. All the available clock selections are listed below.

PLLEN	CLK2	CLK1	CLK0	Sub clock	MAIN clock	CPU clock
1	0	0	0	32.768kHz	447.829kHz	447.829kHz (Normal mode)
1	0	0	1	32.768kHz	895.658kHz	895.658kHz (Normal mode)
1	0	1	0	32.768kHz	1.791MHz	1.791MHz (Normal mode)
1	0	1	1	32.768kHz	3.582MHz	3.582MHz (Normal mode)
1	1	0	0	32.768kHz	7.165MHz	7.165MHz (Normal mode)
1	1	0	1	32.768kHz	10.747MHz	10.747MHz (Normal mode)
1	1	1	0	32.768kHz	14.331MHz	14.331MHz (Normal mode)
1	1	1	1	32.768kHz	17.91MHz	17.91MHz (Normal mode)
0	Don't care	Don't care	Don't care	32.768kHz	Don't care	32.768kHz (Green mode)

Bit 6 (PLLEN) : PLL's power control bit which is CPU mode control register

0/1 → disable PLL/enable PLL

If PLL is enabled, CPU will operate at normal mode (high frequency). Otherwise, it will run at green mode (low frequency, 32768 Hz).

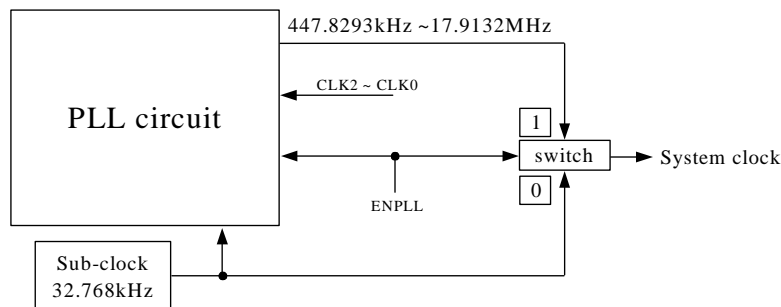


Fig. 4 The Relation Between 32.768kHz and PLL



Bit 7 (IDLE) : SLEEP or IDLE mode control as set by SLEP instruction.

0/1 → SLEEP mode/IDLE mode.

This bit allows SLEP instruction to decide which power saving mode to execute. The status after wake-up and the wake-up source list is as the shown below.

Wakeup Signal	SLEEP Mode	IDLE Mode
	RA(7,6)=(0,0) + SLEP	RA(7,6)=(1,0) + SLEP
TCC time out IOCF Bit0=1	No function	1) Wake-up 2) Jump to next instruction after SLEP
COUNTER1 time out IOCF Bit1=1	No function	1) Wake-up 2) Jump to next instruction after SLEP
COUNTER2 time out IOCF Bit2=1	No function	1) Wake-up 2) Jump to next instruction after SLEP
COUNTER3 time out IOCD Bit0=1	No function	1) Wake-up 2) Jump to next instruction after SLEP
COUNTER4 time out IOCD Bit1=1	No function	1) Wake-up 2) Jump to next instruction after SLEP
COUNTER5 time out IOCD Bit2=1	No function	1) Wake-up 2) Jump to next instruction after SLEP
PORT90(IR function) IOCF Bit3=1	Reset and jump to Address 0	1) Wake-up 2) Jump to next instruction after SLEP
WDT time out	Reset and jump to Address 0	1) Wake-up 2) Next instruction
PORTC(0~3)(Key1~Key4) RE PAGE0 Bit3 or Bit4 or Bit5 or Bit6 = 1	Reset and Jump to Address 0	1) Wake-up 2) Jump to next instruction after SLEP
PORT9(1~4) IOCF Bit4 or Bit5 or Bit6 =1 or Bit7=1	Reset and Jump to Address 0	1) Wake-up 2) Jump to next instruction after SLEP

NOTES: 1. PORT90 wakeup function is controlled by IOCF Bit 3. It is a falling edge or rising edge trigger (controlled by CONT register Bit7).

2. PORT91 wakeup function is controlled by IOCF Bit 4. It is a falling edge trigger.

3. PORT92 ~ PORT94 wakeup functions are controlled by IOCF. They are falling edge triggers.

4. PORTC0 ~ PORTC3 wakeup functions are controlled by RE PAGE0 Bit 0 ~ Bit 3. They are falling edge triggers.



B) PAGE 2 (Counter3 Data Register)

Bit 7	Bit 6	Bit 5	Bit 4	Bit 3	Bit 2	Bit 1	Bit 0
CN37	CN36	CN35	CN34	CN33	CN32	CN31	CN30
R/W-0	R/W-0	R/W-0	R/W-0	R/W-0	R/W-0	R/W-0	R/W-0

Bit 0 ~ Bit 7 (CN30 ~ CN37) : Counter3's buffer that you can read and write.

Counter3 is an 8-bit up-counter with 8-bit prescaler that allows you to use RA PAGE2 to preset and read the counter (write → preset). After an interruption, it will reload the preset value.

7.2.12 RB (PORT9 Switches)

a) PAGE 1 (PORT9, Pull High)

Bit 7	Bit 6	Bit 5	Bit 4	Bit 3	Bit 2	Bit 1	Bit 0
-	-	-	-	PH93	PH92	PH91	PH90
-	-	-	-	R/W-0	R/W-0	R/W-0	R/W-0

Bit 0 ~ Bit 3 (PH90 ~ PH93) : PORT9 Bit0 ~ Bit3 pull high control register

0 → disable pull high function.

1 → enable pull high function

b) PAGE 2 (Counter4 Data Register)

Bit 7	Bit 6	Bit 5	Bit 4	Bit 3	Bit 2	Bit 1	Bit 0
CN47	CN46	CN45	CN44	CN43	CN42	CN41	CN40
R/W-0	R/W-0	R/W-0	R/W-0	R/W-0	R/W-0	R/W-0	R/W-0

Bit 0 ~ Bit 7 (CN40 ~ CN47) : Counter4 buffer that you can read and write.

Counter 4 is an 8-bit up-counter with 8-bit prescaler that allows you to use RB PAGE2 to preset and read the counter.(write → preset). After an interruption, it will reload the preset value.



7.2.13 RC (PORTC I/O Data , Counter5 Data)

a) PAGE 0 I/O Data Buffer/Serial Signal

Bit 7	Bit 6	Bit 5	Bit 4	Bit 3	Bit 2	Bit 1	Bit 0
-	-	-	-	PC3	PC2	PC1	PC0
-	-	-	-	R/W	R/W	R/W	R/W

Bit 0 ~ Bit 3 :1. PC0 ~ PC3 are defined as Input/Output
2. KEY1 ~ KEY4 are defined as Keyscan Input

b) PAGE 1 (PORTC, Pull High)

Bit 7	Bit 6	Bit 5	Bit 4	Bit 3	Bit 2	Bit 1	Bit 0
-	-	-	-	PHC3	PHC2	PHC1	PHC0
-	-	-	-	R/W-0	R/W-0	R/W-0	R/W-0

Bit 0 ~ Bit 3 (PHC0 ~ PHC3) : PORTC Bit0 ~ Bit3 pull high control register
0 → disable pull high function.
1 → enable pull high function

d) PAGE 2 (Counter5 Data Register)

Bit 7	Bit 6	Bit 5	Bit 4	Bit 3	Bit 2	Bit 1	Bit 0
CN57	CN56	CN55	CN54	CN53	CN52	CN51	CN50
R/W-0	R/W-0	R/W-0	R/W-0	R/W-0	R/W-0	R/W-0	R/W-0

Bit 0 ~ Bit 7 (CN50 ~ CN57) : Counter5 buffer that you can read and write.
Counter5 is an 8-bit up-counter with 8-bit prescaler that allows you to use RC PAGE2 to preset and read the counter (write → preset). After an interruption, it will reload the preset value.

7.2.14 RD (Interrupt Flag,)

a) PAGE 0 (Interrupt Flags Register)

Bit 7	Bit 6	Bit 5	Bit 4	Bit 3	Bit 2	Bit 1	Bit 0
-	-	-	-	-	CNT5	CNT4	CNT3
-	-	-	-	-	R/W-0	R/W-0	R/W-0

NOTE: "1" means interrupt request, "0" means non-interrupt

Bit 0 (CNT3) : Counter3 timer overflow interrupt flag. Set when counter3 timer overflows.

Bit 1 (CNT4) : Counter4 timer overflow interrupt flag. Set when counter4 timer overflows.

Bit 2 (CNT5) : Counter5 timer overflow interrupt flag. Set when counter5 timer overflows.



7.2.15 RE (Interrupt Flags, Wake-up)

a) PAGE 0 (Interrupt Flags, Wake-up Control Bits)

Bit 7	Bit 6	Bit 5	Bit 4	Bit 3	Bit 2	Bit 1	Bit 0
-	-	-	-	/WUPC3	/WUPC2	/WUPC1	/WUPC0
-	-	-	-	R/W-0	R/W-0	R/W-0	R/W-0

Bit 0 (/WUPC0) : PORTC0 wake-up control,

0/1 → disable/enable PC0 pin wake-up function

Bit 1 (/WUPC1) : PORTC1 wake-up control, 0/1 → disable/enable PC1 pin wake-up function

Bit 2 (/WUPC2) : PORTC2 wake-up control,

0/1 → disable/enable PC2 pin wake-up function

Bit 3 (/WUPC3) : PORTC3 wake-up control,

0/1 → disable/enable PC3 pin wake-up function

Bit 4 (-) : Not used

Bit 5 (-) : Not used

Bit 6 (-) : Not used

Bit 7(-) : Not used

7.2.16 RF (Interrupt Flags)

a) PAGE 0 (Interrupt Status Register)

Bit 7	Bit 6	Bit 5	Bit 4	Bit 3	Bit 2	Bit 1	Bit 0
INT4	INT3	INT2	INT1	IR	CNT2	CNT1	TCIF
R/W-0	R/W-0	R/W-0	R/W-0	R/W-0	R/W-0	R/W-0	R/W-0

NOTE: "1" means interrupt request, "0" means non-interrupt

Bit 0 (TCIF) : TCC timer overflow interrupt flag, Set when TCC timer overflows.

Bit 1 (CNT1) : Counter1 timer overflow interrupt flag. Set when Counter1 timer overflows.

Bit 2 (CNT2) : Counter2 timer overflow interrupt flag. Set when Counter2 timer overflows.

Bit 3 (IR) : External INT pin interrupt flag. If PORT90 contains a falling /rising edge (controlled by CONT register) trigger signal, CPU will set this bit.

Bit 4 (INT1) : External INT1 pin interrupt flag, If PORT91 contains a falling edge trigger signal, CPU will set this bit.

Bit 5(INT2) : External INT2 pin interrupt flag. If PORT92 has a falling edge trigger signal, CPU will set this bit.

Bit 6 : (INT3) : External INT3 pin interrupt flag. If PORT93 has a falling edge trigger signal, CPU will set this bit.

Bit 7(INT4) : External IR interrupt flag. If PORT94 has a falling edge trigger signal, CPU will set this bit.



Trigger edge is as shown below:

Signal	Trigger
TCC	Time out
COUNTER1	Time out
COUNTER2	Time out
COUNTER3	Time out
COUNTER4	Time out
COUNTER5	Time out
IR	Falling Rising edge
INT1	Falling edge
INT2	Falling edge
INT3	Falling edge

7.2.17 R10~R3F (General Purpose Registers)

R10 ~ R1F, R20 ~ R3F (Banks 0 ~ 3) : all are general purpose registers.

7.3 Special Purpose Registers

7.3.1 A (Accumulator)

Internal data transfer, or instruction operand holding. It is not an addressable register.

7.3.2 CONT (Control Register)

CONT register is readable (CONTR) and writable (CONTW).

Bit 7	Bit 6	Bit 5	Bit 4	Bit 3	Bit 2	Bit 1	Bit 0
P90EG	INT	TS	RETBK	PAB	PSR2	PSR1	PSR0

Bit 0 ~ Bit 2 (PSR0 ~ PSR2) : TCC/WDT prescaler bits

PSR2	PSR1	PSR0	TCC Rate	WDT Rate
0	0	0	1:2	1:1
0	0	1	1:4	1:2
0	1	0	1:8	1:4
0	1	1	1:16	1:8
1	0	0	1:32	1:16
1	0	1	1:64	1:32
1	1	0	1:128	1:64
1	1	1	1:256	1:128



- Bit 3 (PAB) : Prescaler assignment bit
0/1 → TCC/WDT
When in WDT mode (Bit 3 = 1), the prescaler is cleared by the WDTIC and SLEP instructions. Likewise, when in TCC mode (Bit 3 = 0), the prescaler will can NOT be cleared by SLEP instructions.
An 8-bit counter is provided as prescaler for the TCC or WDT. The prescaler is available for the TCC only or for the WDT only at a given time.
An 8 bit counter is made available for TCC or WDT as determined by the status of Bit 3 (PAB) of the CONT register.
Both TCC and prescaler are cleared each time a write to TCC instruction is executed. (See the table above for the prescaler ratio under CONT register and Fig.5 below for the TCC/WDT block diagram.)
- Bit 4 (RETBK) : Return value backup control for interrupt routine
0/1 → disable/enable
When this bit is set to 1, the CPU will store ACC, R3 status, and R5 PAGE 1 automatically after an interrupt is triggered. It will be restored after instruction RETI. When this bit is set to 0, you need to store ACC, R3, and R5 PAGE 1 in you program.
- Bit 5 (TS) : TCC signal source
0 → internal instruction cycle clock
timing = (2 / system clock) * prescaler* (256 – count vaule)
1 → 16.384kHz
timing = (1 /16.384k) * prescaler * (256 – count vaule)
timing = (2/Fosc) * Prescaler * (256 – count vaule)
- Bit 6 (INT) : INT enable flag
0 → interrupt masked by DISI or hardware interrupt
1 → interrupt enabled by ENI/RETI instructions
- Bit 7 (P90EG) : Interrupt edge type of P90
0 → P90 interruption source is a rising edge signal.
1 → P90 interruption source is a falling edge signal.

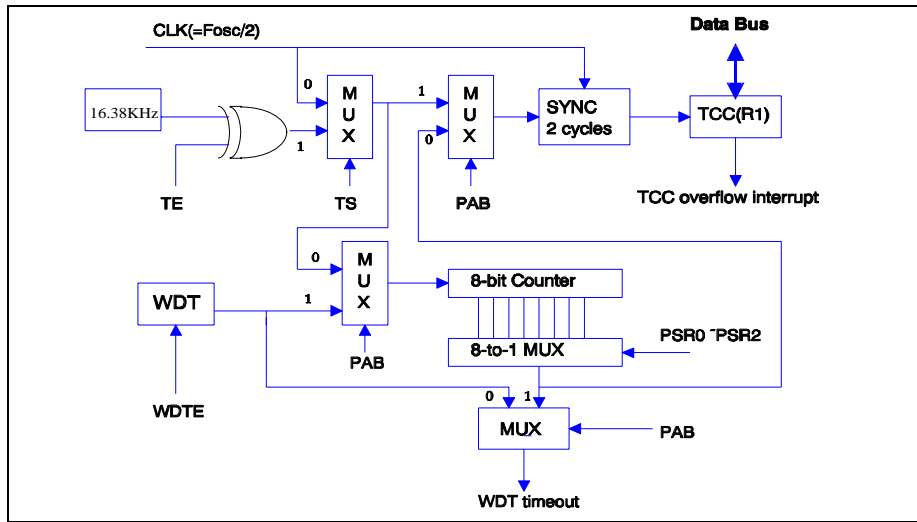


Fig. 5 TCC & WDT Block Diagram

7.3.3 IOC 5 (PORT5 Switches)

a) Page 1

Bit 7	Bit 6	Bit 5	Bit 4	Bit 3	Bit 2	Bit 1	Bit 0
P57S	P56S	P55S	P54S				
R/W-0	R/W-0	R/W-0	R/W-0				

Bit 4 ~ Bit 7 (P54S~P57S) : Port5 I/O direction control register

0 → set the relative I/O pin as output HV

1 → set the relative I/O pin into high impedance

7.3.4 IOC 8

a) PAGE 1 (Clock Source and Prescaler for COUNTER1 and COUNTER2)

Bit 7	Bit 6	Bit 5	Bit 4	Bit 3	Bit 2	Bit 1	Bit 0
CNT2S	C2_PSC2	C2_PSC1	C2_PSC0	CNT1S	C1_PSC2	C1_PSC1	C1_PSC0
R/W-0	R/W-0	R/W-0	R/W-0	R/W-0	R/W-0	R/W-0	R/W-0

Bit 0 ~ Bit 2 (C1_PSC0 ~ C1_PSC2) : COUNTER1 prescaler ratio

C1_PSC2	C1_PSC1	C1_PSC0	COUNTER1
0	0	0	1:2
0	0	1	1:4
0	1	0	1:8
0	1	1	1:16
1	0	0	1:32
1	0	1	1:64
1	1	0	1:128
1	1	1	1:256

Bit 3 (CNT1S) : COUNTER1 clock source

0 → 16.384kHz

timing = (1 /16.384k) * prescaler * (256 – count vaule)

1 → system clock

timing = (2 / system clock) * prescaler* (256 – count vaule)



Bit 4 ~ Bit 6 (C2_PSC0 ~ C2_PSC2) : COUNTER2 prescaler ratio

C2_PSC2	C2_PSC1	C2_PSC0	COUNTER2
0	0	0	1:2
0	0	1	1:4
0	1	0	1:8
0	1	1	1:16
1	0	0	1:32
1	0	1	1:64
1	1	0	1:128
1	1	1	1:256

Bit 7 (CNT2S) : COUNTER2 clock source

0 → 16.384kHz

timing = (1 /16.384k) * prescaler * (256 – count vaule)

1 → system clock

timing = (2 / system clock) * prescaler* (256 – count vaule)

7.3.5 IOC9 (PORT9 I/O Control)

a) PAGE 0 (PORT9 I/O Control Register)

Bit 7	Bit 6	Bit 5	Bit 4	Bit 3	Bit 2	Bit 1	Bit 0
IOC97	IOC96	IOC95	IOC94	IOC93	IOC92	IOC91	IOC90
R/W-1	R/W-1	R/W-1	R/W-1	R/W-1	R/W-1	R/W-1	R/W-1

Bit 0 ~ Bit 7 (IOC90 ~ IOC97) : PORT9 (0~7) I/O direction control register

0 → set the relative I/O pin as output

1 → set the relative I/O pin into high impedance

b) PAGE 1 (Clock Source and Prescaler for COUNTER3 and COUNTER4)

Bit 7	Bit 6	Bit 5	Bit 4	Bit 3	Bit 2	Bit 1	Bit 0
CNT4S	C4_PSC2	C4_PSC1	C4_PSC0	CNT3S	C3_PSC2	C3_PSC1	C3_PSC0
R/W-0	R/W-0	R/W-0	R/W-0	R/W-0	R/W-0	R/W-0	R/W-0

Bit 0 ~ Bit 2 (C3_PSC0 ~ C3_PSC2) : COUNTER3 prescaler ratio

C3_PSC2	C3_PSC1	C3_PSC0	COUNTER3
0	0	0	1:2
0	0	1	1:4
0	1	0	1:8
0	1	1	1:16
1	0	0	1:32
1	0	1	1:64
1	1	0	1:128
1	1	1	1:256

Bit 3 (CNT3S) : COUNTER3 clock source

0 → 16.384kHz

timing = (1 /16.384k) * prescaler * (256 – count vaule)

1 → system clock

timing = (2 / system clock) * prescaler* (256 – count vaule)

Bit 4 ~ Bit 6 (C4_PSC0 ~ C4_PSC2) : COUNTER4 prescaler ratio

C4_PSC2	C4_PSC1	C4_PSC0	COUNTER4
0	0	0	1:2
0	0	1	1:4
0	1	0	1:8
0	1	1	1:16
1	0	0	1:32
1	0	1	1:64
1	1	0	1:128
1	1	1	1:256

Bit 7 (CNT4S) : COUNTER4 clock source

0 → 16.384kHz

timing = (1 /16.384k) * prescaler * (256 – count vaule)

1 → system clock

timing = (2 / system clock) * prescaler* (256 – count vaule)

7.3.6 IOCA

a) PAGE 1 (Clock Source and Prescaler for COUNTER5)

Bit 7	Bit 6	Bit 5	Bit 4	Bit 3	Bit 2	Bit 1	Bit 0
-	-	-	-	CNT5S	C5_PSC2	C5_PSC1	C5_PSC0
-	-	-	-	R/W-0	R/W-0	R/W-0	R/W-0

Bit 0 ~ Bit 2 (C5_PSC0 ~ C5_PSC2) : COUNTER5 prescaler ratio

C5_PSC2	C5_PSC1	C5_PSC0	COUNTER4
0	0	0	1:2
0	0	1	1:4
0	1	0	1:8
0	1	1	1:16
1	0	0	1:32
1	0	1	1:64
1	1	0	1:128
1	1	1	1:256

Bit 3 (CNT5S) : COUNTER5 clock source

0 → 16.384kHz

timing = (1 /16.384k) * prescaler * (256 – count vaule)

1 → system clock

timing = (2 / system clock) * prescaler* (256 – count vaule)



7.3.7 IOCC (PORTC I/O Control)

a) PAGE 0 (PORTC I/O Control Register)

Bit 7	Bit 6	Bit 5	Bit 4	Bit 3	Bit 2	Bit 1	Bit 0
-	-	-	-	IOCC3	IOCC2	IOCC1	IOCC0
-	-	-	-	R/W-1	R/W-1	R/W-1	R/W-1

Bit 0 ~ Bit 3 (IOCC0 ~ IOCC3) : PORTC(0~3) I/O direction control register

- 0 → set the relative I/O pin as output
- 1 → set the relative I/O pin into high impedance
- 0 → PC6 (I/O PORTC6) pin is selected
- 1 → DOUT pin is selected (N-channel, Open-Drain)

7.3.8 IOCD (Interrupt Mask, Prescaler of CN3 ~ CN5)

a) PAGE 0 (Interrupt Mask)

Bit 7	Bit 6	Bit 5	Bit 4	Bit 3	Bit 2	Bit 1	Bit 0
-	-	-	-	-	CNT5	CNT4	CNT3
-	-	-	-	-	R/W-0	R/W-0	R/W-0

Bit 0 ~ 3 : Interrupt enable bit

- 0 → disable interrupt
- 1 → enable interrupt

7.3.9 IOCF (Interrupt Mask)

a) PAGE 0 (Interrupt Mask Register)

Bit 7	Bit 6	Bit 5	Bit 4	Bit 3	Bit 2	Bit 1	Bit 0
INT4	INT3	INT2	INT1	IR	CNT2	CNT1	TCIF
R/W-0	R/W-0	R/W-0	R/W-0	R/W-0	R/W-0	R/W-0	R/W-0

Bit 0 ~ 7: Interrupt enable bit

- 0 → disable interrupt
- 1 → enable interrupt

The status after interrupt and the interrupt source lists are as shown in the table below.

Interrupt Signal	IDLE Mode	GREEN Mode	NORMAL Mode
	RA(7,6)=(1,0) + SLEP	RA(7,6)=(x,0) no SLEP	RA(7,6)=(x,1) no SLEP
TCC time out IOCF bit0=1 And "ENI"	1) Wake-up 2) Interrupt (jump to Address 8 on Page0) 3) After RETI instruction, jump to SLEP Next instruction	Interrupt (jump to Address 8 on Page0)	Interrupt (jump to Address 8 on Page0)
COUNTER1 time out IOCF bit1=1 And "ENI"	1) Wake-up 2) Interrupt (jump to Address 8 on Page0) 3) After RETI instruction, jump to SLEP Next instruction	Interrupt (jump to Address 8 on Page0)	Interrupt (jump to Address 8 on Page0)
COUNTER2 time out	1) Wake-up	Interrupt	Interrupt



IOCF bit2=2 And "ENI"	2) Interrupt (jump to Address 8 on Page0) 3) After RETI instruction, jump to SLEP Next instruction	(jump to Address 8 on Page0)	(jump to Address 8 on Page0)
COUNTER3 time out IOCD bit0=1 And "ENI"	1) Wake-up 2) Interrupt (jump to Address 8 on Page0) 3) After RETI instruction, jump to SLEP Next instruction	Interrupt (jump to Address 8 on Page0)	Interrupt (jump to Address 8 on Page0)
COUNTER4 time out IOCD bit1=1 And "ENI"	1) Wake-up 2) Interrupt (jump to Address 8 on Page0) 3) After RETI instruction, jump to SLEP Next instruction	Interrupt (jump to Address 8 on Page0)	Interrupt (jump to Address 8 on Page0)
COUNTER5 time out IOCD bit2=1 And "ENI"	1) Wake-up 2) Interrupt (jump to Address 8 on Page0) 3) After RETI instruction, jump to SLEP Next instruction	Interrupt (jump to Address 8 on Page0)	Interrupt (jump to Address 8 on Page0)
INT1~3 IOCF bit4=1 or IOCF bit5=1 IOCF bit6 = 1 And "ENI"	1) Wake-up 2) Interrupt (jump to Address 8 on Page0) 3) after RETI instruction, jump to SLEP Next instruction	Interrupt (jump to Address 8 on Page0)	Interrupt (jump to Address 8 on Page0)
IR IOCF bit3= 1 And "ENI"	1) Wake-up 2) Interrupt (jump to Address 8 on Page0) 3) After RETI instruction, jump to SLEP Next instruction	Interrupt (jump to Address 8 on Page0)	Interrupt (jump to Address 8 on Page0)

NOTES: 1. PORT90 interrupt function is controlled by IOCF Bit 3. It is a falling edge or rising edge trigger (controlled by CONT register Bit7).

2. PORT9 (1~3) interrupt functions are controlled by IOCF Bits 4, 5, 6). They are falling edge triggers.

7.4 Application notes

1、 Call-table instruction: :

Because the call-table instruction can only change the Program Counter's bit7 ~ bit0 at each time, only 256 addresses can be searched once.

But each program page contains 1024 addresses, if call each 256 addresses as a zone, Then each page constitutes by four zones.

When a table overlaps two zones, a bug would occur during address searching.

So the member of program must examine the .LST file at any time, the .LST file will jot down the information that Assembler generated, for example source code, the coding of instruction , instruction address, error message etc.

2、 Operation requirement for the CPU :

The system frequency must adds a latency time (14.33 MHz about 250 ms ; 17.91 MHz about 450 ms.). After RA register was setting, it will offer the stable system frequency for the operation

3、 The register initial sets to suggest

The register 0X09 and 0X0C of IOC page 0 & page 1 initial sets suggestion as follows : 0X09 and 0x0C register value = 0B0000xxxx

The register 0x09 and 0X0C of R page 0 & page 1 initial sets suggestion as follows
0X09 and 0x0C register value =0B0000xxxx

7.5 I/O Port

The I/O registers are bi-directional tri-state I/O ports. The I/O ports can be defined as "input" or "output" pins by the I/O control registers under program control. The I/O data registers and I/O control registers are both readable and writable. The I/O interface circuit is shown in Fig.6

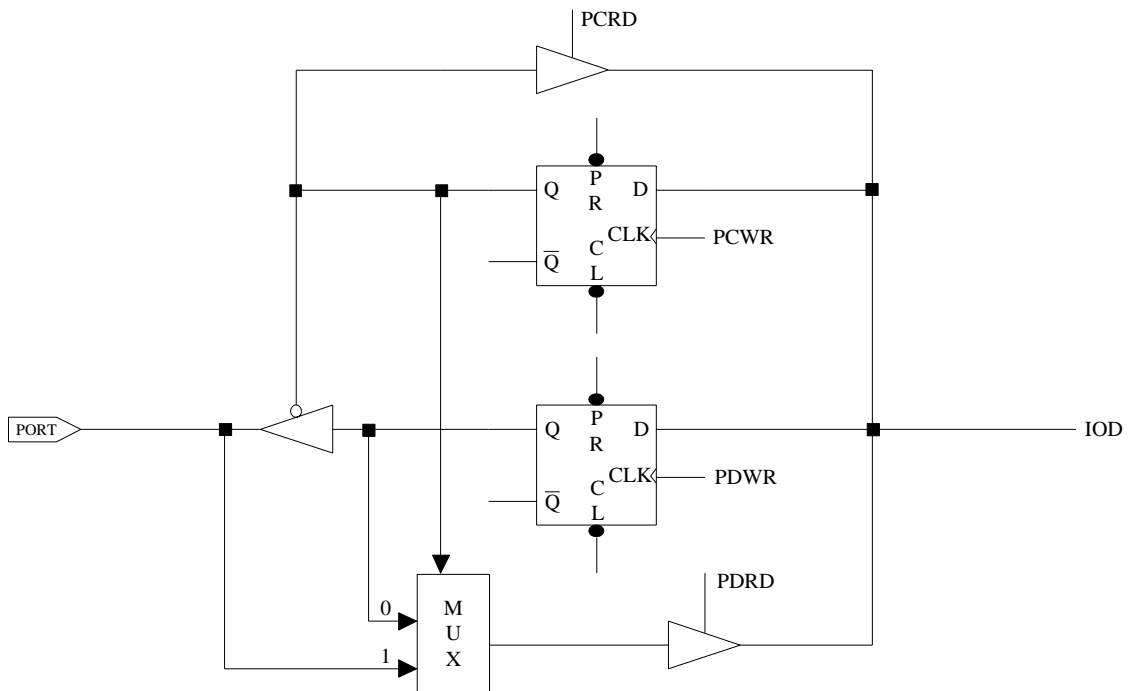


Fig. 6 The Circuit of I/O Port and I/O Control Register

7.6 RESET

A RESET can be caused by any of the following:

1. Power on reset
2. WDT timeout (if enabled and in GREEN or NORMAL mode)
3. /RESET pin pull low

Once a RESET occurs, the following functions are performed.

- The oscillator is running, or will be started.
- The Program Counter (R2) is set to all "0".
- When power on, the upper 3 bits of R3 and the upper 2 bits of R4 are cleared.
- The Watchdog timer and prescaler counter are cleared.
- The Watchdog timer is disabled.
- The CONT register is set to all "1"



- The other registers' (Bit 7 ~ Bit 0) default values are as follows

Address	R Register PAGE 0	R Register PAGE 1	R Register PAGE 2	R Register PAGE 3	IOC Register PAGE 0	IOC Register PAGE 1
0x4	00xxxxxx					
0x5	0000xxxx	xxxx0000	00000000			
0x6	00000000		xxxxxxx			
0x7	00000000	00000000	xxxxxxx			
0x8	00000000	00000000	xxxxxxx			00000000
0x9	xxxx0000	xxxxxxx	xxxxxxx		11111111	00000000
0xA	00011xx0	xxxxxxx	xxxxxxx			00000000
0xB	xxxxxxx	00000000	xxxxxxx		x1111111	x0000000
0xC	xxxxxxx	00000000	xxxxxxx		1111xxxx	1111xxxx
0xD	xxxxx000				xxxxx000	
0xE	X0000000				x000xxxx	
0xF	00000000				00000000	

7.7 Wake Up

The controller features two types of sleep mode for power saving:

7.7.1 SLEEP Mode, RA(6 ;7) = 0 + "SLEP" Instruction

Under this mode, the controller turns off all the CPU and crystal. However, other circuits with power control like key tone control or PLL control (with register enabled), has to be turned off through software.

7.7.2 IDLE mode, RA(6 ;7) = 1 + "SLEP" Instruction.

With this mode, the controller only turns the CPU off. The crystal remains running.

7.7.3 Wake-up from SLEEP Mode

1. WDT time out
2. External interrupt
3. /RESET pull low

Any of these cases will reset the controller and run the program from address zero. The status is just like the power-on-reset condition. Be sure to enable circuit after cases 1 or 2 occurs.



7.7.4 Wake-up from IDLE Mode

1. WDT time out
2. External interrupt
3. Internal interrupt like counters

All these cases requires you to enable the circuit before entering IDLE mode. All the registers values are preserved when "SLEP" instruction is executed and restored after wake-up.

During execution of case 2 or 3, controller will wake up and jump to address 0x08 for interruption sub-routine. After performing the sub-routine ("RETI" instruction), the program will jump to the next instruction following the "SLEP" instruction.

7.8 Interrupts

RD, RF are the interrupt status registers which record the interrupt request in flag bit. IOCD,& IOCF are their interrupt mask registers respectively. Global interrupt is enabled by ENI instruction and is disabled by DISI instruction. When one of the interrupts (when enabled) is generated, it will cause the next instruction to be fetched from address 008H. Once in the interrupt service routine, the source of the interrupt can be determined by polling the flag bits in their respective (RD, RE, and RF) registers.

The interrupt flag bit must be cleared in the software before leaving the interrupt service routine and enabling interrupts to avoid recursive interrupts.

7.9 Instruction Set

The Instruction set has the following features:

1. Every bit of any register can be set, cleared, or tested directly.
2. The I/O register can be treated as a general register. That is, the same instruction can operates on I/O register.

The symbol "R" represents a register designator which specifies which one of the 64 registers (including operational registers and general purpose registers) is to be utilized by the instruction. Bits 6 and 7 in R4 determine the selected register bank. "b" represents a bit field designator which selects the number of the bit located in the Register "R," and affected by the operation. "k" represents an 8 or 10-bit constant or literal value.

Instruction Binary	HEX	Mnemonic	Operation	Status Affected	Instruction Cycle
0 0000 0000 0000	0000	NOP	No Operation	None	1
0 0000 0000 0001	0001	DAA	Decimal Adjust A	C	1
0 0000 0000 0010	0002	CONTW	A → CONT	None	1
0 0000 0000 0011	0003	SLEP	0 → WDT, Stop oscillator	T,P	1
0 0000 0000 0100	0004	WDTC	0 → WDT	T,P	1
0 0000 0000 rrrr	000r	IOW R	A → IOCR	None	1
0 0000 0001 0000	0010	ENI	Enable Interrupt	None	1
0 0000 0001 0001	0011	DISI	Disable Interrupt	None	1



0 0000 0001 0010	0012	RET	[Top of Stack] → PC	None	2
0 0000 0001 0011	0013	RETI	[Top of Stack] → PC Enable Interrupt	None	2
0 0000 0001 0100	0014	CONTR	CONT → A	None	1
0 0000 0001 rrrr	001r	IOR R	IOCR → A	None	1
0 0000 0010 0000	0020	TBL	R2+A → R2 bits 9,10 do not clear	Z,C,DC	2
0 0000 01rr rrrr	00rr	MOV R,A	A → R	None	1
0 0000 1000 0000	0080	CLRA	0 → A	Z	1
0 0000 11rr rrrr	00rr	CLR R	0 → R	Z	1
0 0001 00rr rrrr	01rr	SUB A,R	R-A → A	Z,C,DC	1
0 0001 01rr rrrr	01rr	SUB R,A	R-A → R	Z,C,DC	1
0 0001 10rr rrrr	01rr	DECA R	R-1 → A	Z	1
0 0001 11rr rrrr	01rr	DEC R	R-1 → R	Z	1
0 0010 00rr rrrr	02rr	OR A,R	A ∨ R → A	Z	1
0 0010 01rr rrrr	02rr	OR R,A	A ∨ R → R	Z	1
0 0010 10rr rrrr	02rr	AND A,R	A & R → A	Z	1
0 0010 11rr rrrr	02rr	AND R,A	A & R → R	Z	1
0 0011 00rr rrrr	03rr	XOR A,R	A ⊕ R → A	Z	1
0 0011 01rr rrrr	03rr	XOR R,A	A ⊕ R → R	Z	1
0 0011 10rr rrrr	03rr	ADD A,R	A + R → A	Z,C,DC	1
0 0011 11rr rrrr	03rr	ADD R,A	A + R → R	Z,C,DC	1
0 0100 00rr rrrr	04rr	MOV A,R	R → A	Z	1
0 0100 01rr rrrr	04rr	MOV R,R	R → R	Z	1
0 0100 10rr rrrr	04rr	COMA R	/R → A	Z	1
0 0100 11rr rrrr	04rr	COM R	/R → R	Z	1
0 0101 00rr rrrr	05rr	INCA R	R+1 → A	Z	1
0 0101 01rr rrrr	05rr	INC R	R+1 → R	Z	1
0 0101 10rr rrrr	05rr	DJZA R	R-1 → A, skip if zero	None	2 if skip
0 0101 11rr rrrr	05rr	DJZ R	R-1 → R, skip if zero	None	2 if skip
0 0110 00rr rrrr	06rr	RRCA R	R(n) → A(n-1) R(0) → C, C → A(7)	C	1
0 0110 01rr rrrr	06rr	RRC R	R(n) → R(n-1) R(0) → C, C → R(7)	C	1
0 0110 10rr rrrr	06rr	RLCA R	R(n) → A(n+1) R(7) → C, C → A(0)	C	1
0 0110 11rr rrrr	06rr	RLC R	R(n) → R(n+1) R(7) → C, C → R(0)	C	1
0 0111 00rr rrrr	07rr	SWAPA R	R(0-3) → A(4-7) R(4-7) → A(0-3)	None	1
0 0111 01rr rrrr	07rr	SWAP R	R(0-3) ↔ R(4-7)	None	1
0 0111 10rr rrrr	07rr	JZA R	R+1 → A, skip if zero	None	2 if skip



0 0111 11rr rrrr	07rr	JZ R	R+1 → R, skip if zero	None	2 if skip
0 100b bbrr rrrr	0xxx	BC R,b	0 → R(b)	None	1
0 101b bbrr rrrr	0xxx	BS R,b	1 → R(b)	None	1
0 110b bbrr rrrr	0xxx	JBC R,b	if R(b)=0, skip	None	2 if skip
0 111b bbrr rrrr	0xxx	JBS R,b	if R(b)=1, skip	None	2 if skip
1 00kk kkkk kkkk	1kkk	CALL k	PC+1 → [SP] (Page, k) → PC	None	2
1 01kk kkkk kkkk	1kkk	JMP k	(Page, k) → PC	None	2
1 1000 kkkk kkkk	18kk	MOV A,k	k → A	None	1
1 1001 kkkk kkkk	19kk	OR A,k	A ∨ k → A	Z	1
1 1010 kkkk kkkk	1Akk	AND A,k	A & k → A	Z	1
1 1011 kkkk kkkk	1Bkk	XOR A,k	A ⊕ k → A	Z	1
1 1100 kkkk kkkk	1Ckk	RETL k	k → A, [Top of Stack] → PC	None	2
1 1101 kkkk kkkk	1Dkk	SUB A,k	k-A → A	Z,C,DC	1
1 1110 0000 0001	1E01	INT	PC+1 → [SP] 001H → PC	None	1
1 1110 100k kkkk	1E8k	PAGE k	K->R5(4:0)	None	1
1 1111 kkkk kkkk	1Fkk	ADD A,k	k+A → A	Z,C,DC	1

8 Segment Data Buffers

The ePVP6800 chip provides a total of 128 bytes data RAM. On the other hand, display Segment Data Buffers can be stored either in the data RAM of 128 bytes sizes (00h~40h) or in the common registers of Bank 2 and Bank 3 (20h~3Fh).

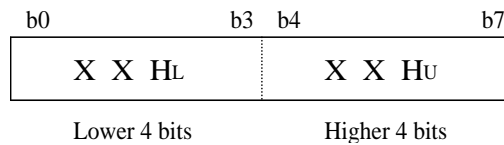
a) Data RAM Address

00h~38h	57X8 Segment Data Buffers
39h~3Eh	6X8 Key Scanning Data Buffers
3Fh	SW data register
40h	LED data register

b) Common Registers Address

20	Bank0~Bank3
:	Common registers
3F	(32x8 for each bank)

These buffers store display RAM. The display RAM stores the data transmitted from an external device to the ePVP6800 through the serial interface and is assigned addresses as follows, in units of 8 bits:



Only the lower 4 bits of the addresses assigned to SEG17 through SEG20 are valid and the higher 4 bits are ignored.

c) Display Memory Addresses:

Seg1	Seg4	Seg5	Seg8
00 HL		00 HU	DIG1
01 HL		01 HU	DIG2
02 HL		02 HU	DIG3
03 HL		03 HU	DIG4
04 HL		04 HU	DIG5
05 HL		06 HU	DIG6
07 HL		07 HU	DIG7
08 HL		08 HU	DIG8
09 HL		09 HU	DIG9
0A HL		0A HU	DIG10
0B HL		0B HU	DIG11

b) Key Scanning Data Buffers:

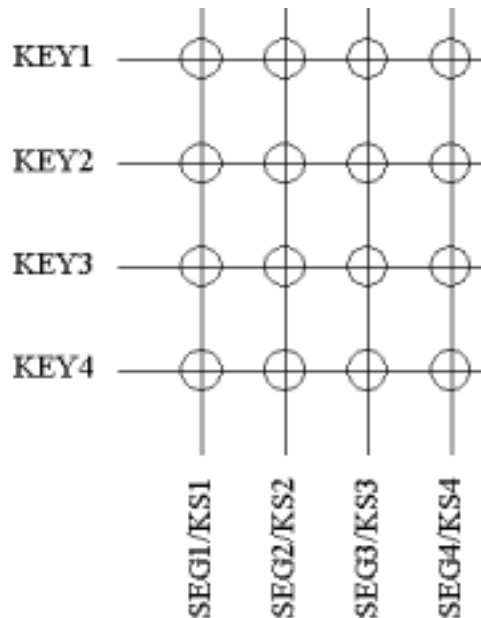
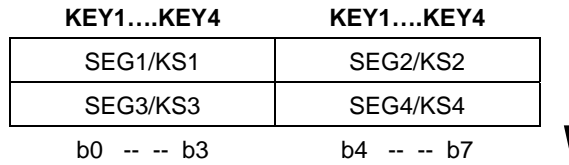


Fig. 7 4 x 4 Configuration Key Matrix

The key matrix is of 4 x 4 configuration is as shown in the above figure.

The data of each key is stored as illustrated below, and is read by a read command, starting from the least significant bit.



When the most significant bit of data (SEG4, b7) has been read, the least significant bit of the next data (SEG1, b0) is read.

8.1 Commands

A command sets the display mode and status of the VFD driver.

The first 1 byte (b0 to b7) inputted to the ePVP6800 through the DIN pin after the STB pin has fallen, is regarded as a command. Interrupt event will occur when STB pin is falling.

If STB mode is high while a command/data are being transmitted, serial communication is initialized, and the command/data being transmitted is invalidated (however, the command/data already transmitted remain valid).

8.1.1 Display Mode Setting Command [00]

This command initializes the ePVP6800 and selects Display mode number of segments and grids (1/4 to 1/11-duty, 6 segments to 8 segments) as illustrated below.

When Display Mode command is executed, display is forcibly turned off, and key scanning is also stopped. To resume display, a display ON command must be executed. If the same Display mode is selected, nothing is performed.

When power is turned "ON," default Display mode is "9-digit, 8-segment."

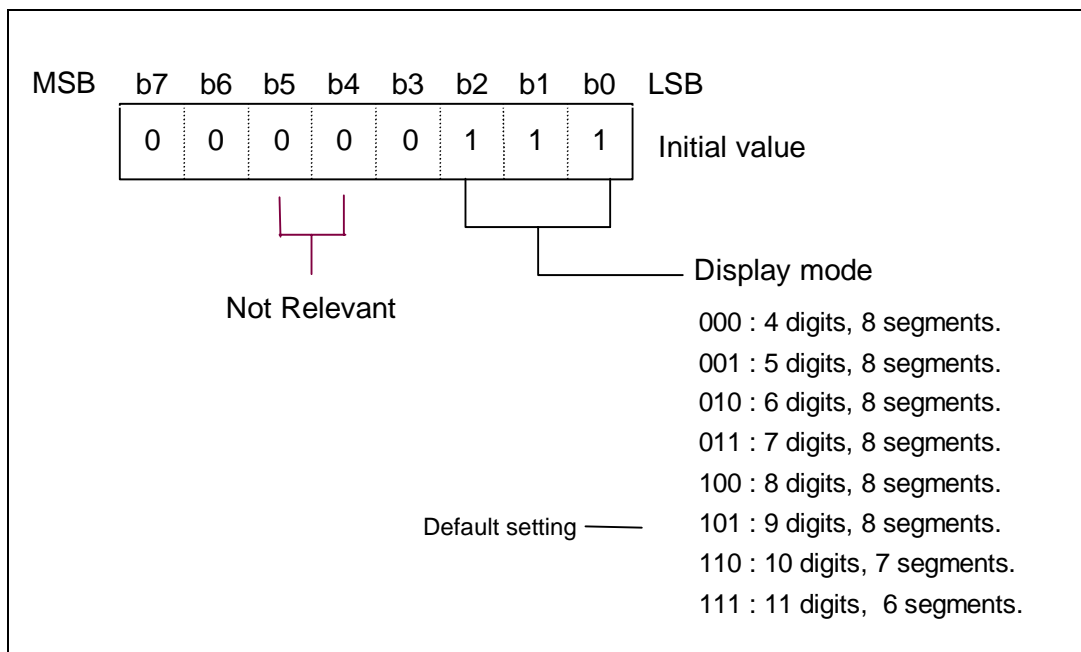


Fig. 8 Display Mode Setting Command Selection

8.1.2 Data Setting Command [01]

This command sets data write and data read modes. The default settings at power “ON” are:

- Address Increment Mode: “Address increment mode.”
- Test Mode: “Normal operation mode.”

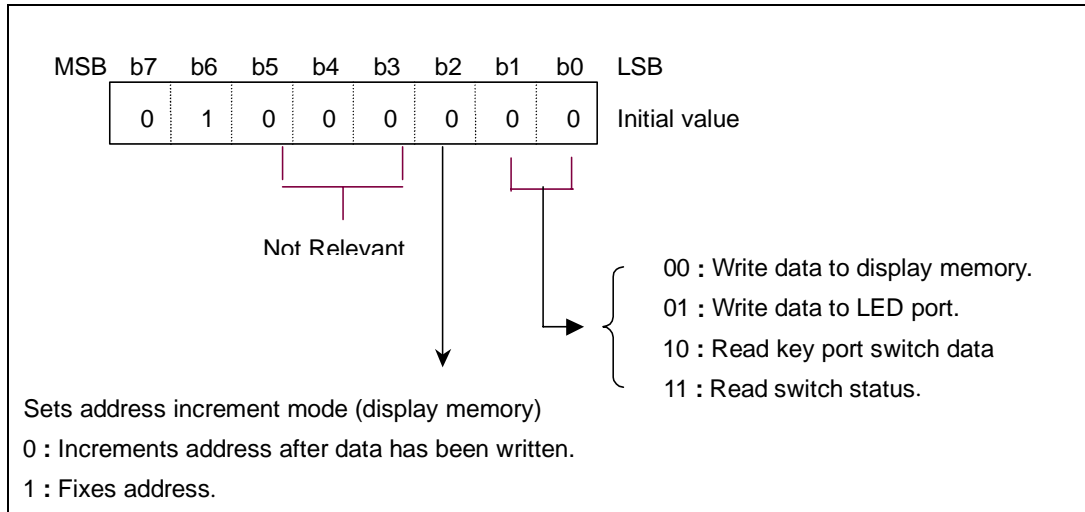


Fig. 9 Data Setting Command Selection

8.1.3 Display Control Command [10]

When power is turned “ON,” the following default conditions prevails:

- 4/64-pulse width is set and the display is turned off
- Key & switch scanning is stopped

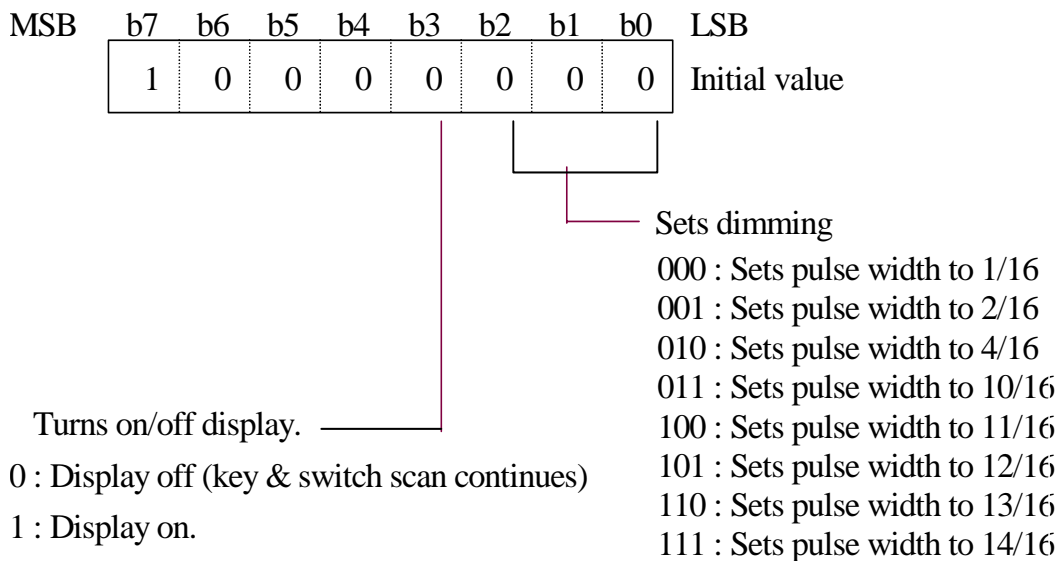


Fig. 10 Display Control Command Selection



8.1.4 Address Setting Command [11]

This command sets an address of the display memory. When power is turned "ON", the default address is set to 00H.

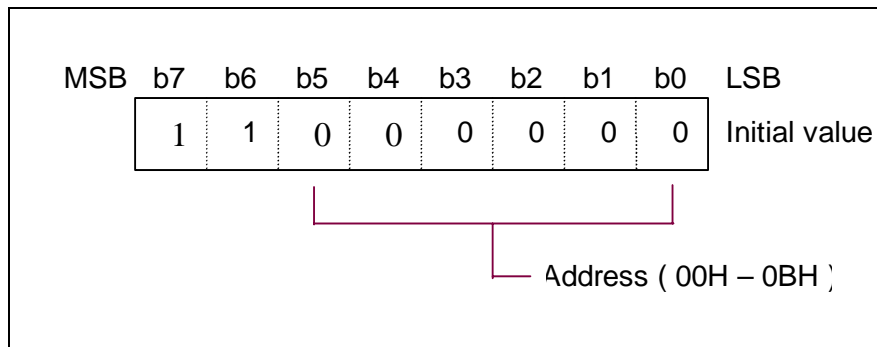


Fig. 11 Address Setting Command Selection

If address 39H or higher is set, the data is ignored until a correct address is set.

9 RC/Crystal OSC

9.1 General Description

This oscillator is designed for the ePVP6800 chip as clock source.

9.2 Features

- RC oscillator: 32.768K Hz
- Operating voltage: 2.2~5.5V.
- Operating temperature: -20 °C ~ 70 °C

9.3 Block Diagram

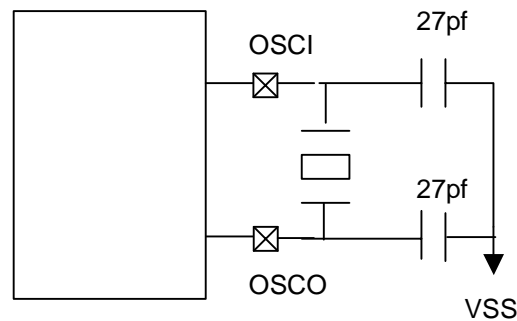


Fig. 12 RC/Crystal OSC Block Diagram

9.4 Pin Description

Name	I/O Type	Description	Remarks
XIN	I	Crystal or RC oscillator connection pin	
XOUT	O	Crystal oscillator output pin	
VDD	-	Power supply (+) pin	
VSS	-	Power supply (-) pin	

9.5 Electrical

(Condition : VDD = 4.5 to 5.5V, Ta = -20°C to 70°C)

Parameters	Sym.	Min.	Typ.	Max.	Unit	Conditions
Starting oscillation voltage	Vs	-	2.0	3.2	V	
Stable time	Ts	-	5	10	clk	Vdd = 5.0V
Current consumption	Idd	-	2	3	mA	Vdd = 5.0V
Duty cycle		45	50	55	%	
Frequency/Voltage deviation	$\partial f/\partial V$	-	1	1.5	%	
Frequency/Temperature deviation	Δf	-	1	2	%	
Frequency vs. Process deviation		-	± 6	± 10	%	



10 Absolute Operation Maximum Ratings

Absolute maximum ratings ($T_a = 25^\circ\text{C}$, $V_{ss} = 0\text{ V}$)

Parameter	Symbol	Ratings	Unit
Logic supply voltage	V_{DD}	-0.5 to + 6	V
Driver supply voltage	V_{EE}	$V_{DD} + 0.5$ to $V_{DD} - 45$	V
Logic input voltage	V_I	-0.5 to $V_{DD} + 0.5$	V
VFD driver output voltage	V_O	$V_{EE} - 0.5$ to $V_{DD} + 0.5$	V
LED driver output current	I_{O1}	+25	mA
VFD driver output current	I_{O2}	-40 (Grid) -15 (Segment)	mA
Operating ambient temperature	T_{opt}	-40 to +85	$^\circ\text{C}$
Storage temperature	T_{stg}	-65 to +150	$^\circ\text{C}$

11 DC Electrical Characteristic

($T_a = -20$ to $+70^\circ\text{C}$, $V_{DD} = 4.5$ to 5.5V , $V_{ss} = 0\text{V}$, $V_{EE} = V_{DD} - 45\text{V}$)

Parameter	Symbol	Min.	Typ.	Max.	Unit	Test conditions
Schmitt Trigger Negative Going Threshold Voltage	V_{T-}	1.5	1.8	2.1		GPIOC, GPO9, and /RESET
Schmitt Trigger Positive Going Threshold Voltage	V_{T+}	2.9	3.2	3.5	V	
Pull Up Resistor	R_{PU}	50	75	100	K	GPIOC, GPO9, /RESET @ $V_{DD}=5\text{V}$
Digital Output Voltage High	V_{OH}	$0.8V_{DD}$	-	V_{DD}	V	GPIOC
Digital Output Voltage Low	V_{OL}	V_{SS}	-	$0.2V_{DD}$	V	
Digital Output High Current	I_{OH1}	-2	-4	-5	mA	$V_{OH}=2.4\text{V}$ / GPIOC
Digital Output Low Current	I_{OL1}	2	4	5	mA	$V_{OL}=0.4\text{V}$ / GPIOC
Digital Output High Current	I_{OH2}	-15	-18	-25	mA	$V_{OH}=2.4\text{V}$ / GPIO9
Digital Output Low Current	I_{OL2}	15	18	25	mA	$V_{OL}=0.4\text{V}$ / GPIO9
HV Output Current	I_{OH1}	- 6	- 4	- 3	mA	$V_o = V_{DD} - 2\text{V}$, ($V_{DD}=5\text{V}$) SEG1/KS1 to SEG4/KS4, SG5 to SG6
HV Output Current	I_{OH2}	-15	-13	-11	mA	$V_o = V_{DD} - 2\text{V}$, ($V_{DD}=5\text{V}$) GR1 to GR9 GR10/SG8 to GR11/SG7
HV leakage current	I_{HVLEAK}	5	8	10	μA	$V_o = V_{DD} - 45\text{V}$, driver off
HV Output pull-down resistor	R_L	40	80	120	$\text{K}\Omega$	Driver output ($V_{EE} = -25\text{V}$)
Power down current (SLEEP mode) Crystal oscillation operating	I_{SB1}		-	1.5	μA	$V_{DD} = 5\text{V}$, All input and I/O pin at V_{DD} , output pin floating, WDT disabled



mode						
Low clock current (GREEN mode) Crystal oscillation operating mode	I _{SB2}		30	60	μA	VDD =3V CLK=32.768KHz, all analog circuits disabled, all input and I/O pin at VDD, output pin floating
			65	90	μA	VDD =5V CLK=32.768KHz, all analog circuits disabled, all input and I/O pin at VDD, output pin floating
Low clock current (IDLE mode) Crystal oscillation operating mode	I _{SB3}		30	45	μA	VDD =3V CLK=32.768KHz, all analog circuits disabled, all input and I/O pin at VDD, output pin floating
			45	60	μA	VDD =5V CLK=32.768KHz, all analog circuits disabled, all input and I/O pin at VDD, output pin floating
Operating supply current (Normal mode) Crystal oscillation operating mode	I _{CC}		1.3	2	mA	/RESET=High, CLK=3.582MHz, all analog circuits disabled, output pin floating

12 AC Electrical Characteristic

12.1 CPU Instruction Timing (Ta = -20°C ~ 70°C, VDD=5V, VSS=0V)

Parameter	Symbol	Condition	Min	Typ	Max	Unit
Input CLK duty cycle	Dclk		45	50	55	%
Instruction cycle time	Tins	32.768kHz		60		us
		3.582MHz		550		ns
Device delay hold time	Tdrh			16		ms
TCC input period	Ttcc	Note 1	(Tins+20)/N			ns
Watchdog timer period	Twdt	Ta = 25°C		16		ms

NOTE: N= selected prescaler ratio



12.2 AC Timing Characteristic (VDD=5V, Ta=+25°C)

Description	Symbol	Min	Typ	Max	Unit
Oscillator timing characteristic					
OSC start up	32.768kHz	Tosc	400	1500	ms
	3.579MHz PLL		5	10	us

12.3 ePVP6800 Operating Voltage (X Axis → Min VDD ; Y Axis → Main CLK)

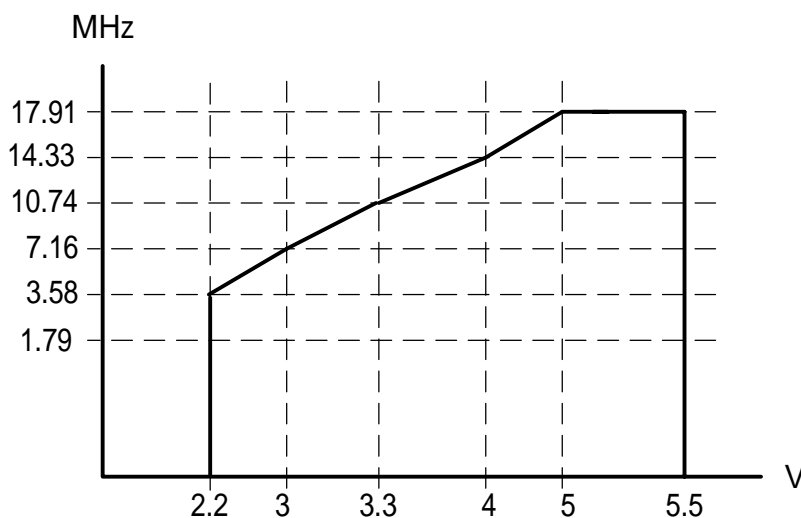
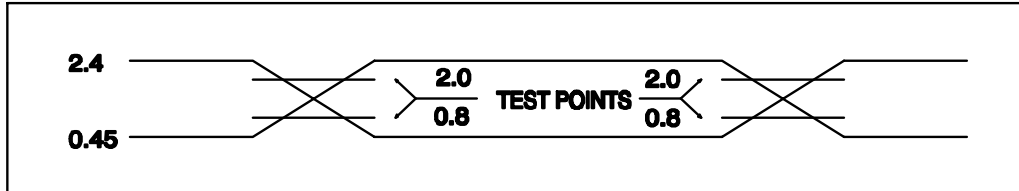


Fig. 13 Operation Voltage XY Axis

12.4 AC Timing Diagrams

AC Test Input/Output Waveform



AC Testing: Input are driven at 2.4V for logic "1", and 0.45V for logic "0". Timing measurements are made at 2.0V for logic "1", and 0.8V for logic "0".

Fig. 14a A/C Test Input/Output Waveform

RESET Timing

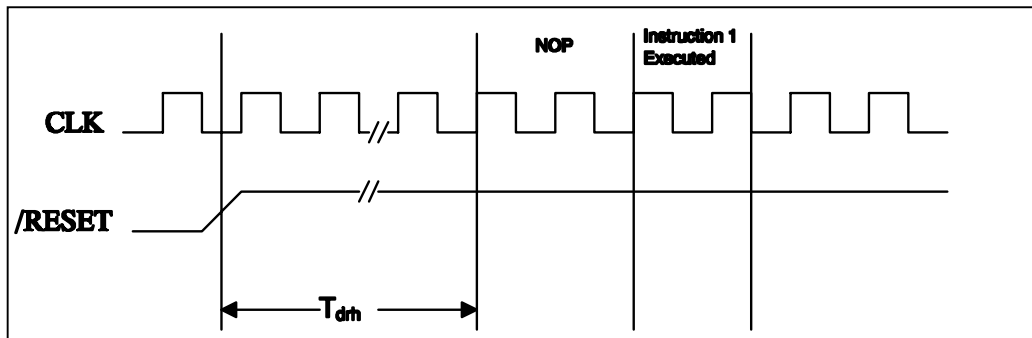


Fig. 14b RESET Timing Diagram

TCC Input Timing

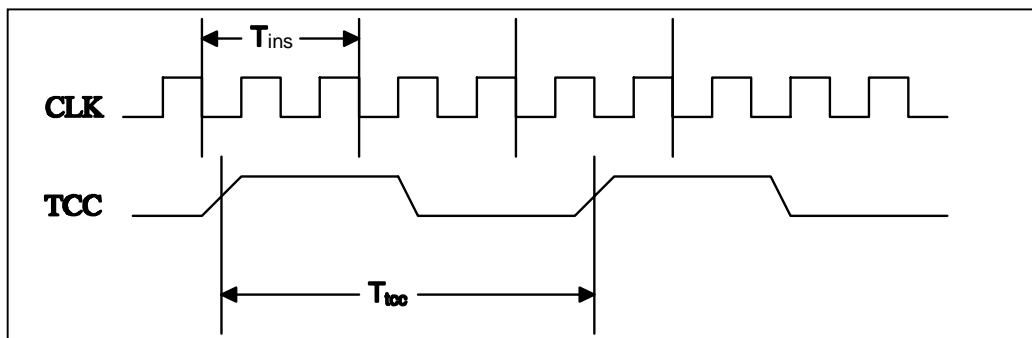


Fig. 14c TCC Input Timing Diagram

13 Key & Switch Scanning and Display Timing

The key & switch scanning and display timing diagram is given below. One cycle of key & switch scanning consists of 2 frames. The data of the 4 x 4 matrix is stored in the RAM.

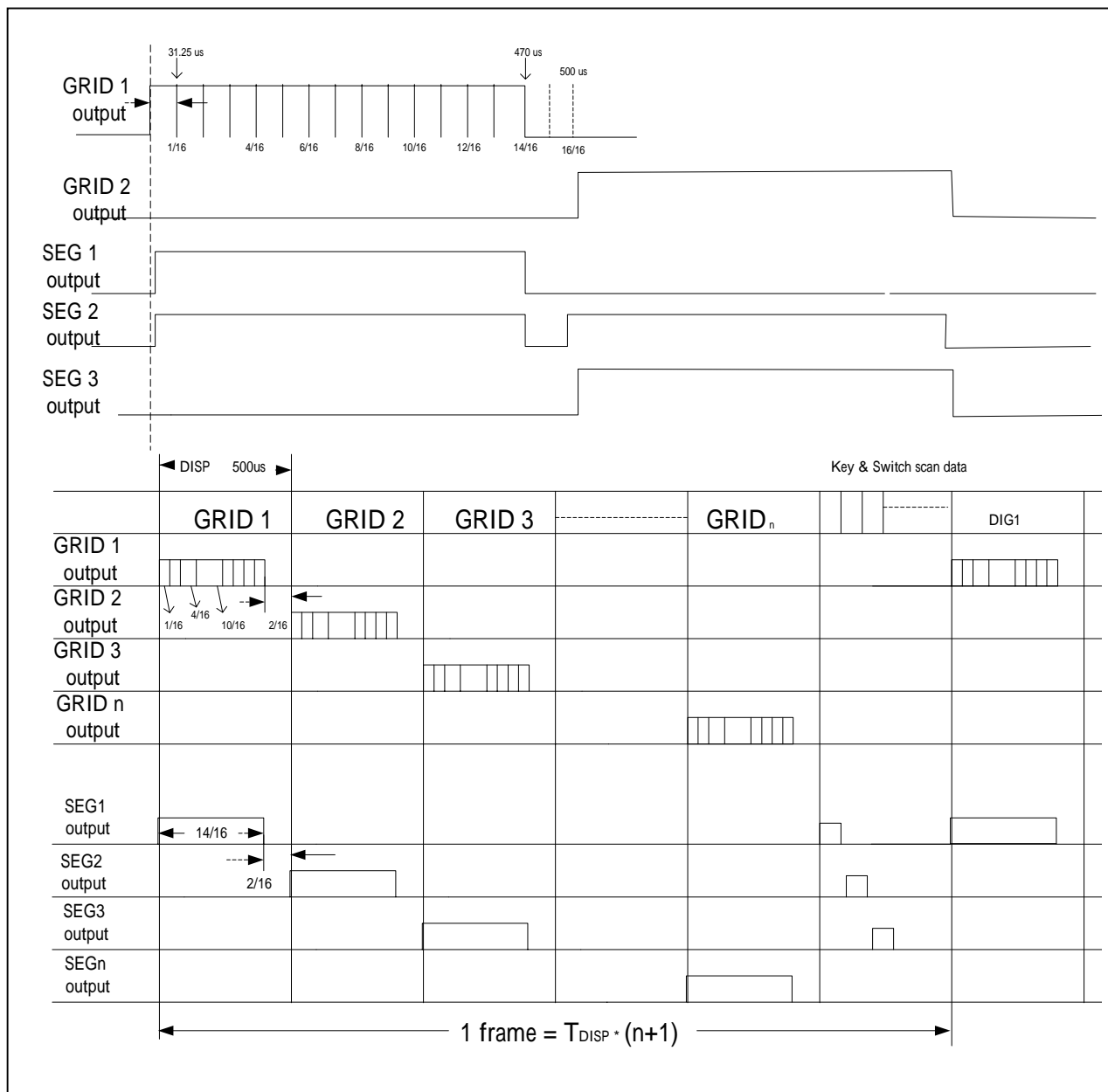


Fig. 15 Key & Switch Scanning and Display Timing Diagram

14 Switching Characteristic Waveform

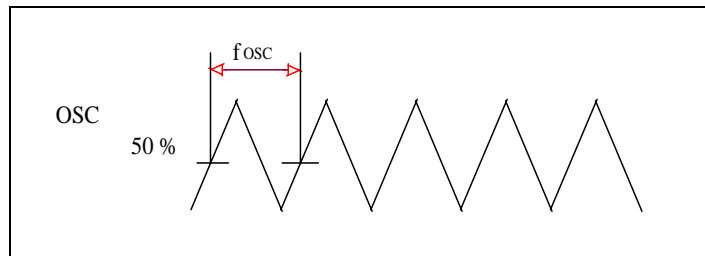


Fig. 16 Switching Characteristic Waveform

14.1 Switching Characteristics (Ta = - 20 to + 70°C, VDD = 4.5 to 5.5V, VEE = VDD - 45V)

Parameter	Symbol	Min.	Typ.	Max.	Unit	Test Conditions
Oscillation frequency	tOSC	-	32.768	-	KHz	
Propagation delay time	tPLZ	-	-	300	ns	CLK→DOUT CL = 15pF, RL = 10KΩ
	tPZL	-	-	100	ns	
Rise time	tTZH1			2	us	CL = 100pF VEE=-25V SEG1/KS1 to SEG4/KS4, GR1 to GR8\9 GR10/SG8 to GR11/SG7,
	tTZH2			0.5	μs	
Fall time	tTHZ	100	110	120	μs	CL = 100pF, VEE=-25V ,SEGN, GRIDn

application circuit

