

PLEASE CHECK WWW.MOLEX.COM FOR LATEST PART INFORMATION

Part Number: [0190380037](#)
Status: **Active**
Description: InsulKrimp™ Snap Plug Receptacle for 18-22 AWG Wire, Nylon, Fits Male Plug Diameter 3.96mm (.156")

Documents:

[Drawing \(PDF\)](#) [RoHS Certificate of Compliance \(PDF\)](#)

Agency Certification

CSA LR18689
 UL E152602

General

Product Family Quick Disconnects
 Series [19038](#)
 Comments Fits Male Plug Dia. 3.96mm (.156")
 Crimp Quality Equipment Yes
 Product Name InsulKrimp™
 Type Snap Receptacle

Physical

Barrel Type Closed
 Color - Resin Natural
 Flammability 94V-0, 94V-2
 Gender Female
 Glow-Wire Compliant No
 Insulation Nylon (PA)
 Lock to Mating Part None
 Material - Metal Brass
 Material - Plating Mating Tin
 Material - Plating Termination Tin
 Material - Resin Nylon
 Orientation Straight
 Packaging Type Bag
 Plating min: Mating (µin) 160
 Plating min: Mating (µm) 4
 Plating min: Termination (µin) 160
 Plating min: Termination (µm) 4
 Tab Thickness N/A
 Tab Width N/A
 Termination Interface: Style Crimp or Compression
 Wire Insulation Diameter 3.25mm (.128") max.
 Wire Size AWG 18, 20, 22
 Wire Size mm² 0.25 - 1.50

Electrical

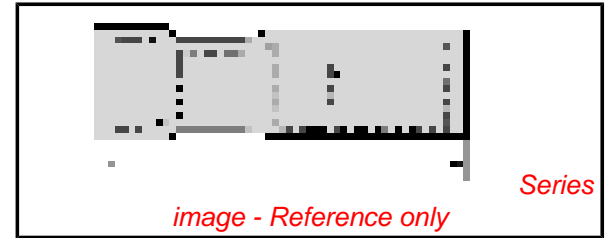
Voltage - Maximum 600V

Material Info

Old Part Number BRA-2156N

Reference - Drawing Numbers

Sales Drawing SD-19038-001



EU RoHS

ELV and RoHS Compliant
REACH SVHC Contains SVHC: No
Halogen-Free Status
Not Reviewed

China RoHS



Need more information on product environmental compliance?

Email productcompliance@molex.com
 For a multiple part number RoHS Certificate of Compliance, [click here](#)

Please visit the [Contact Us](#) section for any non-product compliance questions.

Search Parts in this Series

[19038Series](#)

Use With

[19034-0005](#)

Application Tooling | FAQ

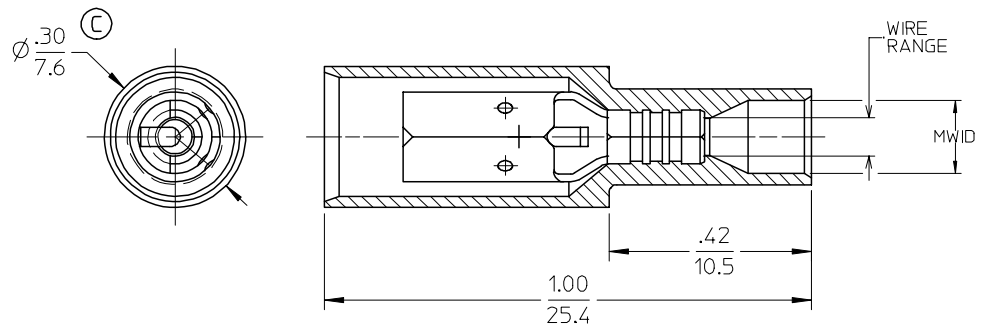
Tooling specifications and manuals are found by selecting the products below. Crimp Height Specifications are then contained in the Application Tooling Specification document.

Global

| Description | Product # |
|-----------------|------------|
| Hand Crimp Tool | 0640012300 |

PLEASE CHECK WWW.MOLEX.COM FOR LATEST PART INFORMATION

| MATERIAL NO. NYLON | ENGINEERING NO. NYLON | INSULATION NYLON COLOR | MATERIAL NO. PVC | ENGINEERING NO. PVC | INSULATION PVC COLOR | WIRE RANGE AWG / MM ² | MWID | FITS MALE PLUG DIA. |
|--------------------|-----------------------|------------------------|------------------|---------------------|----------------------|----------------------------------|-------------|---------------------|
| 190380037 | BRA-2156N | LIGHT RED | 190380001 | BRA-2156 | RED | 22-18 / 0.25-1.3 | .128/(3.25) | .156/(3.96) |
| 190380006 | BRA-2180N | LIGHT RED | 190380004 | BRA-2180 | RED | 22-18 / 0.25-1.3 | .128/(3.25) | .180/(4.57) |
| 190380009 | BRB-2156N | LIGHT BLUE | 190380007 | BRB-2156 | DARK BLUE | 16-14 / 1.0-2.6 | .150/(3.81) | .156/(3.96) |
| 190380013 | BRB-2180N | LIGHT BLUE | 190380011 | BRB-2180 | DARK BLUE | 16-14 / 1.0-2.6 | .150/(3.81) | .180/(4.57) |



SALES DRAWING

NOTE(S):

1. RECEPTACLE MATERIAL: .016/(0.41) THK BRASS
2. RECEPTACLE FINISH: TIN PLATING
3. MWID = MAXIMUM WIRE INSULATION DIAMETER
4. ALL COMPONENTS ARE ROHS COMPLIANT.

| REVISE DIM. EC NO: ETC2006-0450 DRWN: CYORK 2006/05/23 CHKD: JMACNEIL 2006/05/24 APPR: RDEROSS 2006/05/24 | QUALITY SYMBOLS | GENERAL TOLERANCES (UNLESS SPECIFIED) | SCALE 5:1 | DESIGN UNITS INCH | THIRD ANGLE PROJECTION | REVISE ON CAD ONLY | | | | | | | | | | | | | | | |
|---|--|--|-----------|-------------------|------------------------|--------------------|-------|-------|----------|-------|--------|----------|--------|-------|---------|--------|-------|-----------------------|-------|---|--|
| | DESCRIPTION | <table border="1"> <thead> <tr> <th></th> <th>mm</th> <th>INCH</th> </tr> </thead> <tbody> <tr> <td>4 PLACES</td> <td>± ---</td> <td>± ---</td> </tr> <tr> <td>3 PLACES</td> <td>± ---</td> <td>± .005</td> </tr> <tr> <td>2 PLACES</td> <td>± 0.13</td> <td>± .01</td> </tr> <tr> <td>1 PLACE</td> <td>± 0.25</td> <td>± ---</td> </tr> </tbody> </table> ANGULAR ±1/2° | | mm | INCH | 4 PLACES | ± --- | ± --- | 3 PLACES | ± --- | ± .005 | 2 PLACES | ± 0.13 | ± .01 | 1 PLACE | ± 0.25 | ± --- | DIMENSION STYLE IN/MM | TITLE | FULLY INSULATED INSULK FEMALE BULLET RECEPTACLE | |
| | | mm | INCH | | | | | | | | | | | | | | | | | | |
| | 4 PLACES | ± --- | ± --- | | | | | | | | | | | | | | | | | | |
| 3 PLACES | ± --- | ± .005 | | | | | | | | | | | | | | | | | | | |
| 2 PLACES | ± 0.13 | ± .01 | | | | | | | | | | | | | | | | | | | |
| 1 PLACE | ± 0.25 | ± --- | | | | | | | | | | | | | | | | | | | |
| DRAFT WHERE APPLICABLE MUST REMAIN WITHIN DIMENSIONS | DRAWN BY DAY DATE 97/07/07 CHECKED BY RWD DATE 97/07/07 APPROVED BY RWD DATE 97/07/07 | MATERIAL NO. SEE CHART DOCUMENT NO. SD-19038-001 SHEET NO. 1 OF 1 | | | | | | | | | | | | | | | | | | | |
| THIS DRAWING CONTAINS INFORMATION THAT IS PROPRIETARY TO MOLEX INCORPORATED AND SHOULD NOT BE USED WITHOUT WRITTEN PERMISSION | | | | | | | | | | | | | | | | | | | | | |