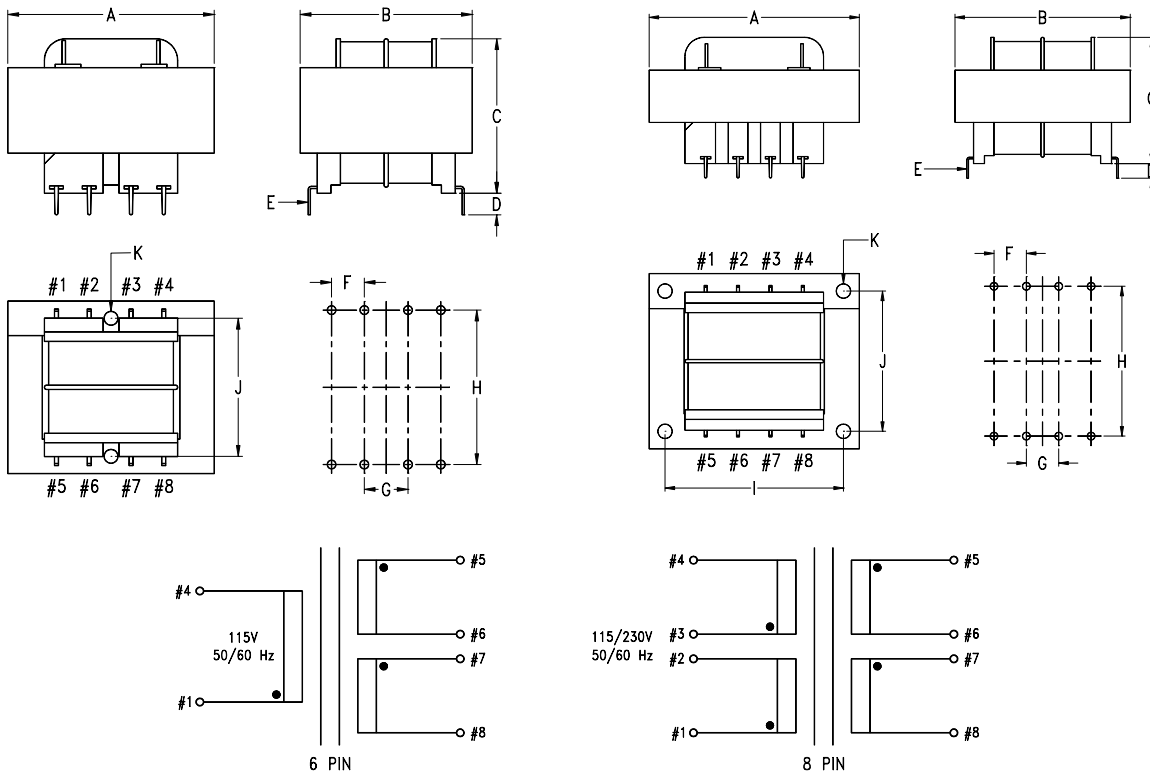


PCB PLUG-IN TRANSFORMER



TL77 Series

- Power – 1.1VA to 36VA
- Dielectric Strength – 2500Vrms (P – S)
- Primary – Dual primary (115V/230V 50/60Hz) or Single primary
- Secondary – Series or parallel
- Insulation Class – Class F (155°C)
- Safety Approvals – UL506, CSA C22.2 #66



Product Series	Dimension (mm)										
	A	B	C	D	E	F	G	H	I	J	K
1.1 (VA)	35.0	29.0	24.0	5.0	0.5×0.8	6.35	6.35	30.5	--	--	--
2.4 (VA)	35.0	29.0	30.2	5.0	0.5×0.8	6.35	6.35	30.5	--	--	--
6.0 (VA)	41.0	33.0	33.3	5.0	0.5×0.8	6.35	8.90	32.5	--	27.0	2.5
12 (VA)	48.0	40.0	35.8	5.0	0.5×0.8	7.62	10.16	35.8	--	32.0	3.0
20 (VA)	57.0	47.5	35.8	5.0	0.5×0.8	7.62	10.16	40.6	--	38.0	3.5
36 (VA)	66.0	55.0	39.6	5.0	0.5×0.8	10.16	10.16	47.0	56.0	44.0	4.0
Tolerance (mm)	±1.0	±1.0	±1.0	±1.0	±0.2	±0.3	±0.3	±0.5	±0.5	±0.5	max.

Note : Dimension “E” is pin size, and dimension “K” is the maximum allowable screw size.

PCB PLUG-IN
TRANSFORMER

Product Series	Part Number		Secondary RMS Rating	
	Single 115V (6 Pins)	Dual 115 /230V (8 Pins)	Series	Parallel
1.1VA	TL77-2F-10	TL77-2F-10D	10V C.T. @0.11A	5V @0.22A
	TL77-2F-12	TL77-2F-12D	12.6V C.T. @0.09A	6.3V @0.18A
	TL77-2F-16	TL77-2F-16D	16V C.T. @0.07A	8V @0.14A
	TL77-2F-20	TL77-2F-20D	20V C.T. @0.055A	10V @0.11A
	TL77-2F-24	TL77-2F-24D	24V C.T. @0.045A	12V @0.09A
	TL77-2F-28	TL77-2F-28D	28V C.T. @0.04A	14V @0.08A
	TL77-2F-36	TL77-2F-36D	36V C.T. @0.03A	18V @0.06A
	TL77-2F-48	TL77-2F-48D	48V C.T. @0.023A	24V @0.046A
	TL77-2F-56	TL77-2F-56D	56V C.T. @0.02A	28V @0.04A
	TL77-2F-120	TL77-2F-120D	120V C.T. @0.01A	60V @0.02A
2.4VA	TL77-3F-10	TL77-3F-10D	10V C.T. @0.25A	5V @0.5A
	TL77-3F-12	TL77-3F-12D	12.6V C.T. @0.2A	6.3V @0.4A
	TL77-3F-16	TL77-3F-16D	16V C.T. @0.15A	8V @0.3A
	TL77-3F-20	TL77-3F-20D	20V C.T. @0.12A	10V @0.24A
	TL77-3F-24	TL77-3F-24D	24V C.T. @0.1A	12V @0.2A
	TL77-3F-28	TL77-3F-28D	28V C.T. @0.085A	14V @0.17A
	TL77-3F-36	TL77-3F-36D	36V C.T. @0.065A	18V @0.13A
	TL77-3F-48	TL77-3F-48D	48V C.T. @0.05A	24V @0.1A
	TL77-3F-56	TL77-3F-56D	56V C.T. @0.045A	28V @0.09A
	TL77-3F-120	TL77-3F-120D	120V C.T. @0.02A	60V @0.04A
6VA	TL77-4F-10	TL77-4F-10D	10V C.T. @0.6A	5V @1.2A
	TL77-4F-12	TL77-4F-12D	12.6V C.T. @0.5A	6.3V @1A
	TL77-4F-16	TL77-4F-16D	16V C.T. @0.4A	8V @0.8A
	TL77-4F-20	TL77-4F-20D	20V C.T. @0.3A	10V @0.6A
	TL77-4F-24	TL77-4F-24D	24V C.T. @0.25A	12V @0.5A
	TL77-4F-28	TL77-4F-28D	28V C.T. @0.2A	14V @0.4A
	TL77-4F-36	TL77-4F-36D	36V C.T. @0.17A	18V @0.34A
	TL77-4F-48	TL77-4F-48D	48V C.T. @0.125A	24V @0.25A
	TL77-4F-56	TL77-4F-56D	56V C.T. @0.11A	28V @0.22A
	TL77-4F-120	TL77-4F-120D	120V C.T. @0.05A	60V @0.1A
12VA	TL77-5F-10	TL77-5F-10D	10V C.T. @1.2A	5V @2.4A
	TL77-5F-12	TL77-5F-12D	12.6V C.T. @1.0A	6.3V @2A
	TL77-5F-16	TL77-5F-16D	16V C.T. @0.8A	8V @1.6A
	TL77-5F-20	TL77-5F-20D	20V C.T. @0.6A	10V @1.2A
	TL77-5F-24	TL77-5F-24D	24V C.T. @0.5A	12V @1A
	TL77-5F-28	TL77-5F-28D	28V C.T. @0.42A	14V @0.84A
	TL77-5F-36	TL77-5F-36D	36V C.T. @0.35A	18V @0.7A
	TL77-5F-48	TL77-5F-48D	48V C.T. @0.25A	24V @0.5A
	TL77-5F-56	TL77-5F-56D	56V C.T. @0.22A	28V @0.44A
	TL77-5F-120	TL77-5F-120D	120V C.T. @0.1A	60V @0.2A

PCB PLUG-IN
TRANSFORMER

Product Series	Part Number		Secondary RMS Rating	
	Single 115V (6 Pins)	Dual 115 /230V (8 Pins)	Series	Parallel
20VA	TL77-6F-10	TL77-6F-10D	10V C.T. @2A	5V @4A
	TL77-6F-12	TL77-6F-12D	12.6V C.T. @1.6A	6.3V @3.2A
	TL77-6F-16	TL77-6F-16D	16V C.T. @1.25A	8V @2.5A
	TL77-6F-20	TL77-6F-20D	20V C.T. @1A	10V @2A
	TL77-6F-24	TL77-6F-24D	24V C.T. @0.8A	12V @1.6A
	TL77-6F-28	TL77-6F-28D	28V C.T. @0.7A	14V @1.4A
	TL77-6F-36	TL77-6F-36D	36V C.T. @0.55A	18V @1.1A
	TL77-6F-48	TL77-6F-48D	48V C.T. @0.4A	24V @0.8A
	TL77-6F-56	TL77-6F-56D	56V C.T. @0.35A	28V @0.7A
	TL77-6F-120	TL77-6F-120D	120V C.T. @0.16A	60V @0.32A
36VA	TL77-7F-10	TL77-7F-10D	10V C.T. @3.6A	5V @7.2A
	TL77-7F-12	TL77-7F-12D	12.6V C.T. @2.85A	6.3V @5.7A
	TL77-7F-16	TL77-7F-16D	16V C.T. @2.25A	8V @4.5A
	TL77-7F-20	TL77-7F-20D	20V C.T. @1.8A	10V @3.6A
	TL77-7F-24	TL77-7F-24D	24V C.T. @1.5A	12V @3A
	TL77-7F-28	TL77-7F-28D	28V C.T. @1.3A	14V @2.6A
	TL77-7F-36	TL77-7F-36D	36V C.T. @1A	18V @1A
	TL77-7F-48	TL77-7F-48D	48V C.T. @0.75A	24V @1.5A
	TL77-7F-56	TL77-7F-56D	56V C.T. @0.65A	28V @1.3A
	TL77-7F-120	TL77-7F-120D	120V C.T. @0.3A	60V @0.6A